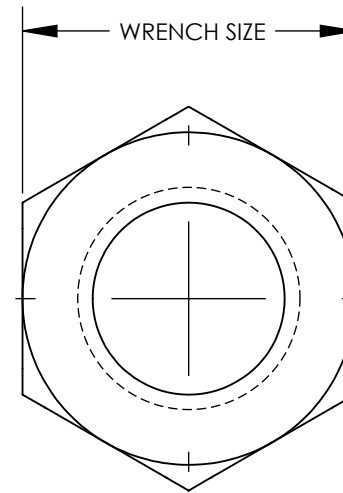
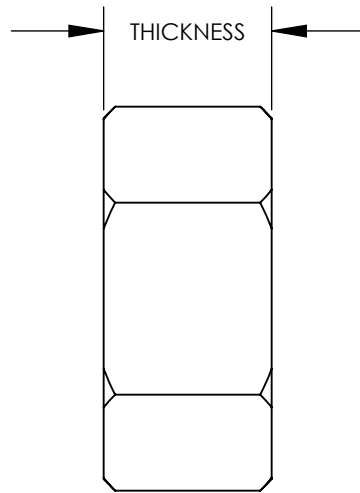


THIS COPY IS PROVIDED ON A RESTRICTED BASIS AND IS NOT TO BE USED IN ANY WAY DETRIMENTAL TO THE INTERESTS OF PANDUIT CORP.

NOTES:

1. MATERIAL: 18-8 STAINLESS STEEL
2. DIMENSIONS IN BRACKETS ARE MILLIMETERS
3. PKG. QTY:
C = 100

PART NUMBER	THREAD	THICKNESS	WRENCH SIZE
SSN1420-C	1/4-20	.22 [5.6]	7/16
SSNUT31-C	5/16-18	.27 [6.7]	1/2
SSN3816-C	3/8-16	.31 [7.9]	9/16
SSNUT50-C	1/2-13	.44 [11.1]	3/4
SSNUT62-C	5/8-11	.55 [13.9]	15/16



REV	DATE	BY	CHK	APR	DESCRIPTION	ECN
00	4/17	JHNU	JHNU	RGB	DRAWING RELEASED	15J350BG-DC

TITLE		STAINLESS STEEL HEX NUT (SSNUT SERIES)	
		CUSTOMER DRAWING	
ITEM REVISION NAME	15J350BG/00		
DATASET FILE NAME	15J350BG-DC/00.SLDDRW		
UNLESS OTHERWISE SPECIFIED, DIMENSIONAL TOLERANCES ARE: IN [mm]		PANDUIT	
.X ±	.XXX ±		
.XX ± .02 [0.5]	ANGLES ±		SEE NOTES
		THIRD ANGLE PROJECTION	
		DRAWING NUMBER 15J350BG-DC	
DRAWN BY	DATE	CHK	SCALE
JHNU	4/17	RGB	N/A
SHEET 1 OF 1			SIZE A