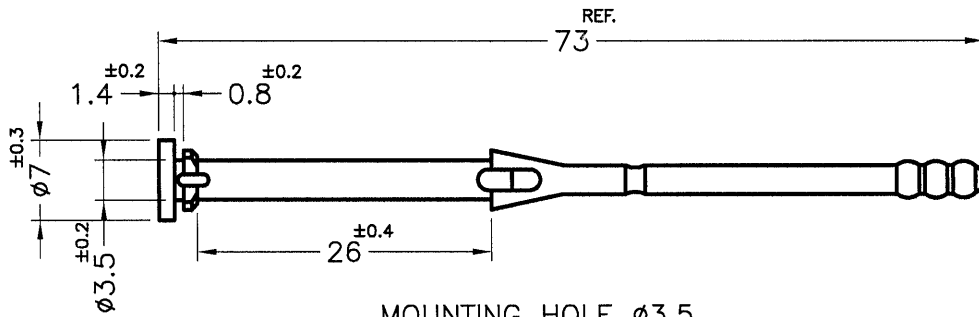





REVISIONS			
REV	DESCRIPTION	DATE	BY



MOUNTING HOLE $\phi 3.5$

PART NO.	HARDNESS
BUB-73H	55°±10°
BUB-73G	45°±10°

NOTE:MADE OF EQUIVALENT MATERIAL.
可使用同等材質.

 <p>康揚企業股份有限公司 KANG YANG HARDWARE ENTERPRISE CO., LTD. 康揚塑膠(東莞)有限公司 KANG YANG PLASTIC(DONG GUAN) CO., LTD. 康哲電腦配件(吳江)有限公司 KANG CHE COMPUTER COMPONENTS(WUJIANG) CO., LTD.</p>				TITLE	FAN SNAP RIVET	SPEC. DWG.		
				MATERIAL	TPE	DATE	2006.06.20	
				HARDNESS	SEE ABOVE	DRAWN	BUNNY	
				COLOR	BLACK	CHECK		
PART NUMBER	SEE ABOVE	DRAWING NUMBER	BUB-73	UNLESS OTHERWISE SPECIFIED TOLERANCE		SEE ABOVE	APPROVED	
SIZE	A4	SCALE	3:2	UNIT	mm	REV	C	