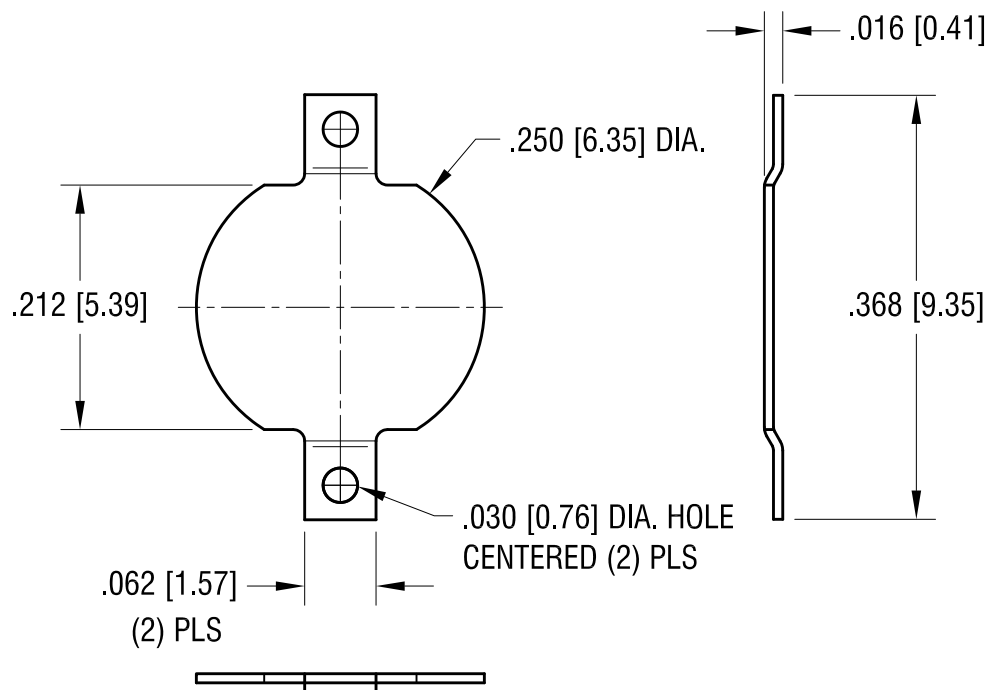
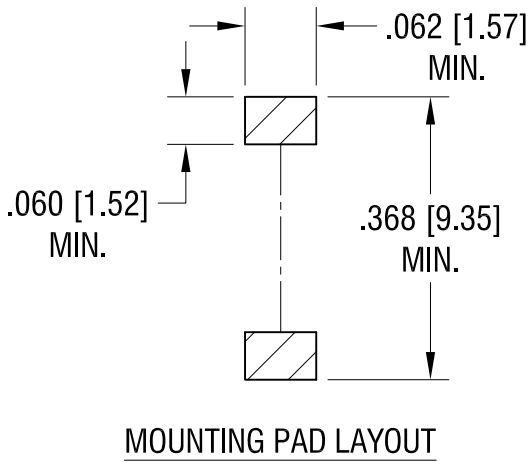


THIS DOCUMENT IS THE PROPERTY OF  
KEYSTONE ELECTRONICS CORP. AND  
SHALL NOT BE REPRODUCED, DISTRIBUTED  
OR USED AS A BASIS FOR MANUFACTURE  
WITHOUT PRIOR WRITTEN PERMISSION  
FROM KEYSTONE ELECTRONICS CORP.

ACTUAL SIZE



5.09.06	CHANGE AS PER ECN 06-028	A
DATE	DESCRIPTION	REV.

<b>KEYSTONE ELECTRONICS CORP.</b>			
www.keyelco.com • NEW HYDE PARK, NY 11040 • Tel (516) 328-7500			
PART NAME			
COIN CELL SMT NEGATIVE CONTACT			
MATERIAL			
.008 [0.20] TH'K BRASS			
FINISH		DRN BY	DATE
TIN NICKEL PLATE		BOONE	12.20.05
		APP'D	SCALE
		RH	6X
TOLERANCES	INCH [MM]	CODE	DWG NO.
DECIMAL	± .005 [± 0.13]	C	2991
ANGULAR	± 1°		
UNLESS OTHERWISE SPECIFIED			