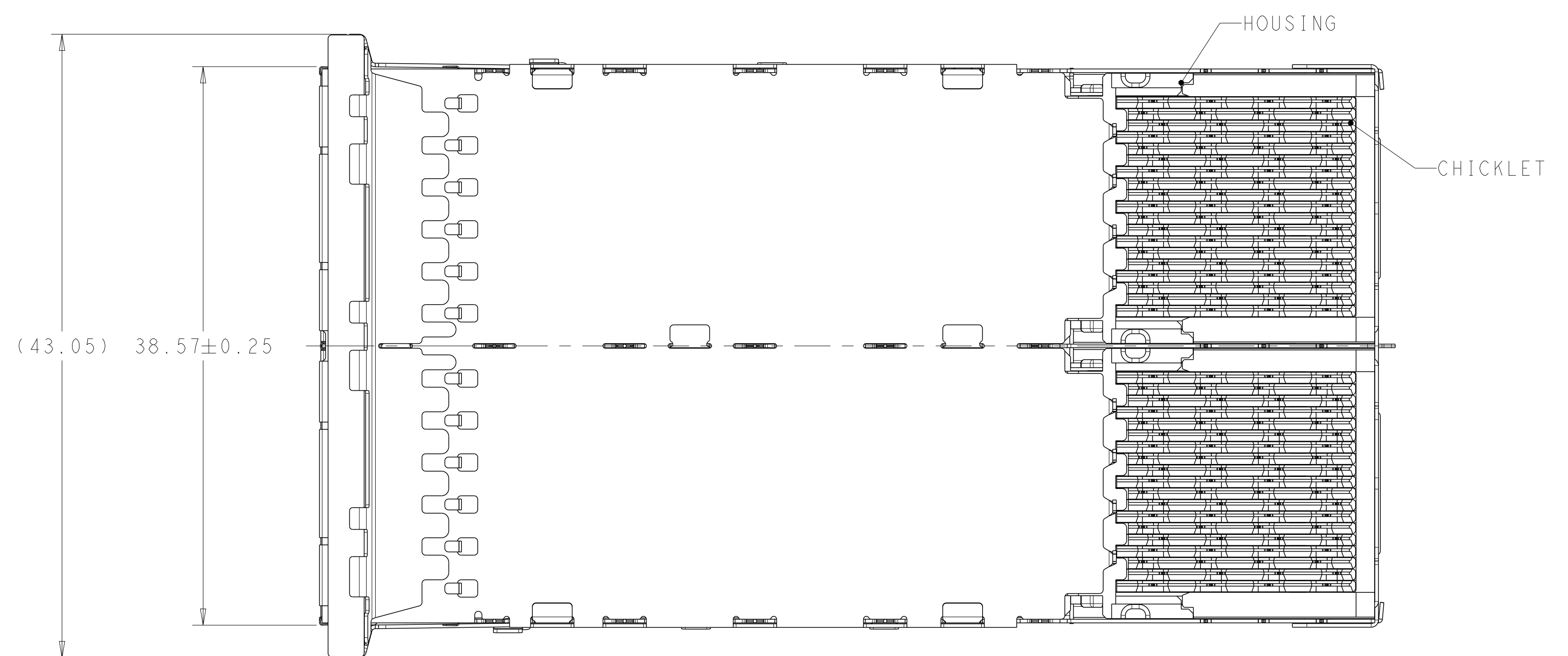
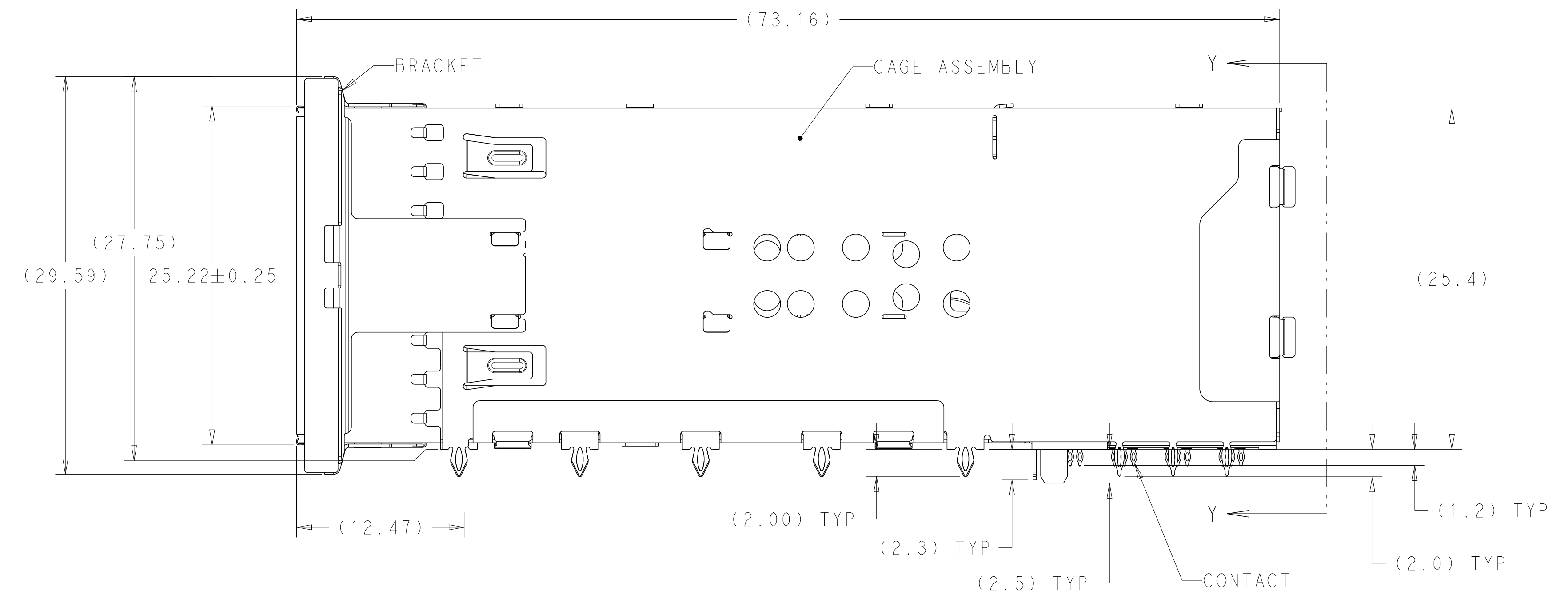
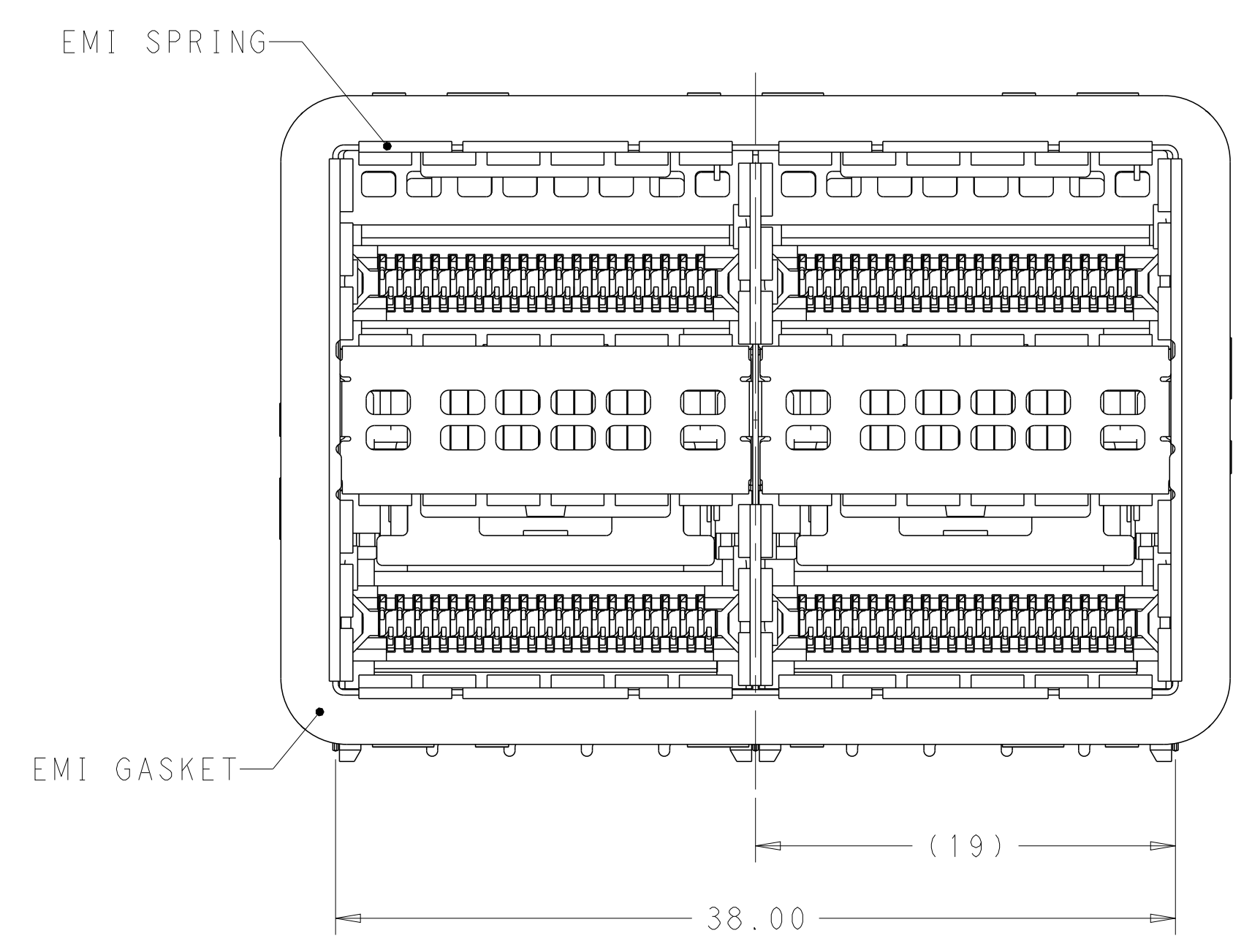


LOC	DIST	REVISIONS			
P	LTN	DESCRIPTION	DATE	DWN	APVD
A		RELEASED FOR PRODUCTION	02MAR2016	TX	SH
A1		REVISED PER ECN-22-163746	11JUL2022	IT	SZ



- MATERIALS:
 CAGE ASSEMBLY- NICKEL SILVER ALLOY PER ASTM B 122.
 BRACKET- NICKEL SILVER ALLOY PER ASTM B 122.
 EMI SPRING- COPPER ALLOY, NICKEL PLATED.
 EMI GASKET- PLATED FILLED SILICONE.
 HOUSING- POLYESTER LCP WITH 94V-0.
 CHICKLET- POLYESTER LCP WITH 94V-0.
 CONTACT- COPPER ALLOY.
 LIGHTPIPE- POLYCARBONATE WITH 94V-0.
- CONTACT FINISH: 0.76µm GOLD ON MATING END, 1.25µm TIN ON SOLDER TAIL, ALL OVER 1.27µm NICKEL.
- DATUM AND BASIC DIMENSION ESTABLISHED BY CUSTOMER.
- MINIMUM PCB THICKNESS OF 1.57.
- THE ENTIRE AREA OF THE CONNECTOR FOOTPRINT, INDICATED BY THE DASHED LINE, TO BE CONSIDERED THE KEEPOUT AREA FOR COMPONENTS.
- CROSS-HATCHED AREAS REPRESENT ZONES ON THE PCB THAT COME IN CONTACT WITH OR BE IN CLOSE PROXIMITY TO THE PLASTIC HOUSING OR THE CONNECTOR CAGE. INDICATED AREAS TO BE CONSIDERED TRACE FREE.
- PART NUMBER AND DATE CODE MARKED IN APPROXIMATE AREA SHOWN.
- THESE HOLES ARE OPTIONAL WHEN PINS ON BACK OF CAGE ARE REMOVED.
- CONTACT FINISH: 0.08µm MINIMUM GOLD OVER 0.68µm PALLADIUM-NICKEL ON MATING END, 1.25µm MATT TIN ON SOLDER TAIL, ALL OVER 1.27µm NICKEL.

CONTACT FINISH	DESCRIPTION	PART NUMBER
9	LEFT INDICATOR DOWN	2227225-6
9	LEFT INDICATOR UP	2227225-5
9	NO LIGHTPIPE	2227225-4
2	LEFT INDICATOR DOWN	2227225-3
2	LEFT INDICATOR UP	2227225-2
2	NO LIGHTPIPE	2227225-1

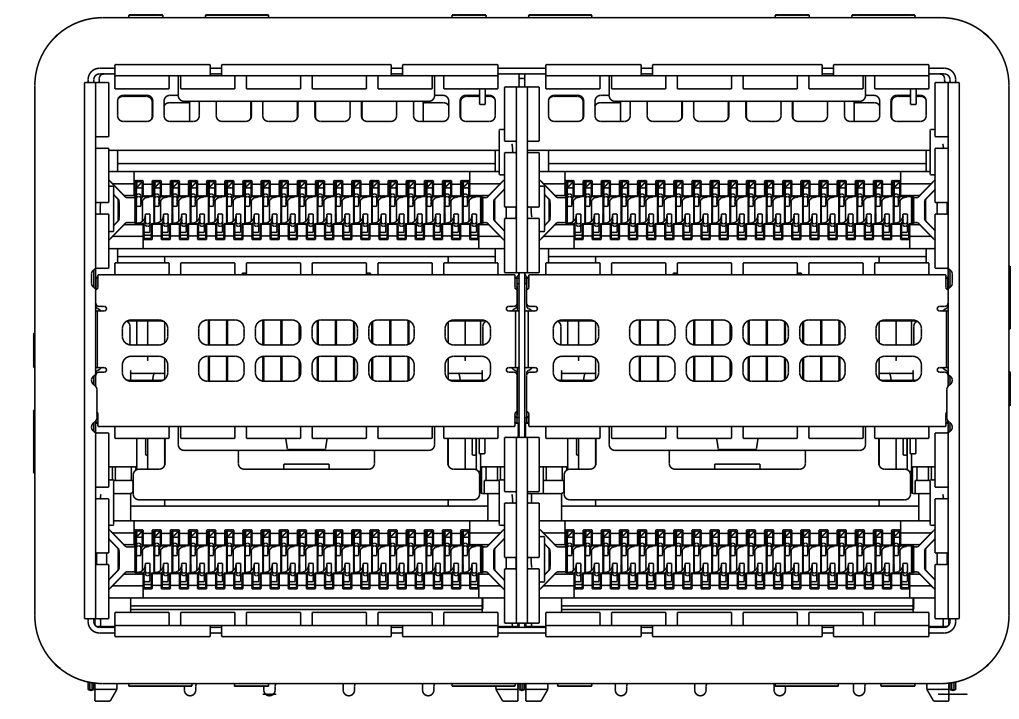
THIS DRAWING IS A CONTROLLED DOCUMENT. DIMENSIONING AND TOLERANCING PER ASME Y14.5M-2009. TOLERANCES UNLESS OTHERWISE SPECIFIED:

DIMENSIONS:	mm	0 PLC ±0.25	1 PLC ±0.15	2 PLC ±0.10	3 PLC ±0.05	4 PLC ±0.02	ANGLES ±0.5°	FINISH
MATERIAL	SEE NOTE 1	SEE NOTE 2						FINISH

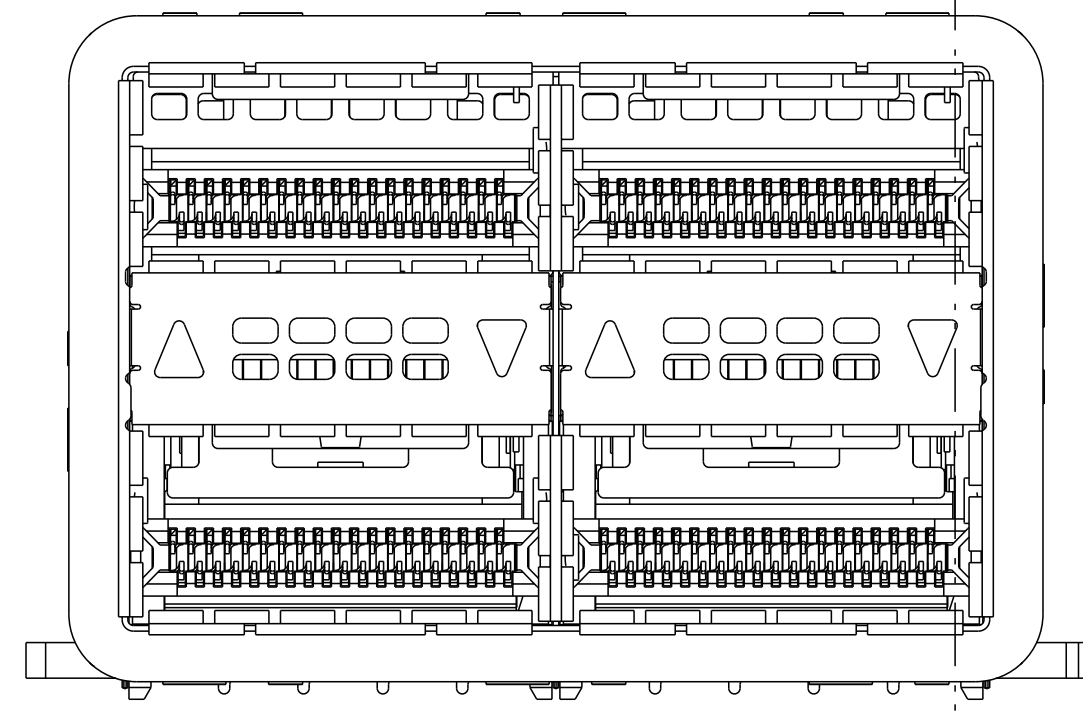
DWN: M. SHIRK 03AUG2012
 CHK: D. SZCZESNY 03AUG2012
 APVD: -
 PRODUCT SPEC: 108-60102
 APPLICATION SPEC: 114-60015
 WEIGHT: -
 CUSTOMER DRAWING

STE TE Connectivity
 NAME: CAGE AND CONNECTOR ASSEMBLY, WITH EMI GASKET, 2X2, ZQSFP+ STACKED
 SIZE: A1
 CAGE CODE: 100779
 DRAWING NO: 2227225
 RESTRICTED TO: -
 SCALE: 4:1 SHEET 1 OF 4 REV: A1

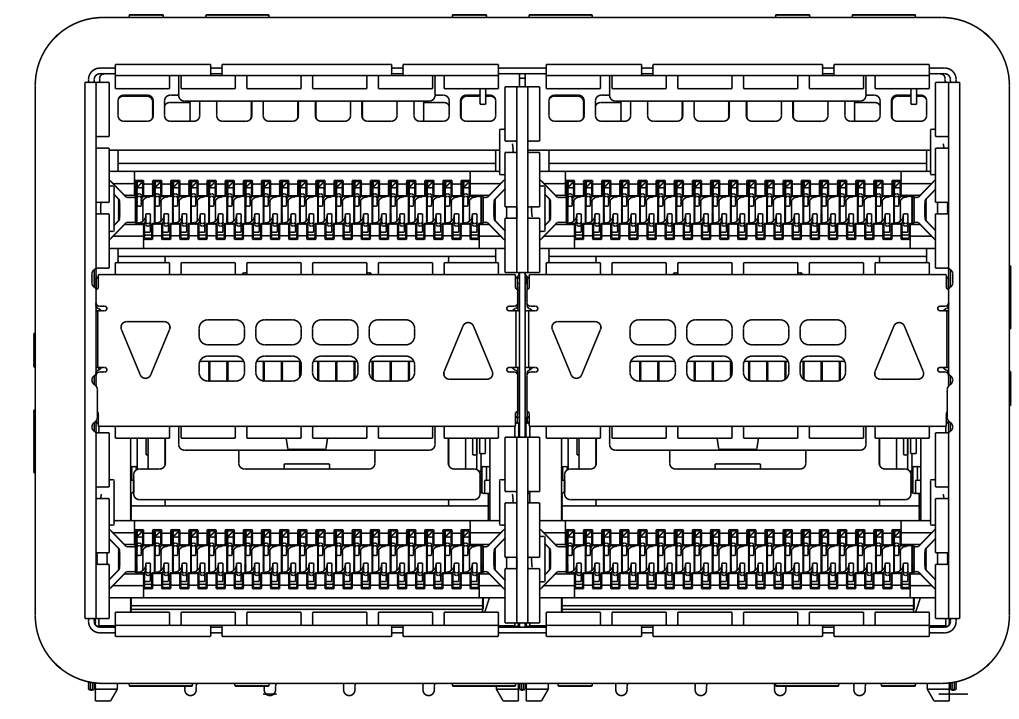
LOC	DIST	REV	DATE	BY	APPV
		1			
		2			
		3			
		4			



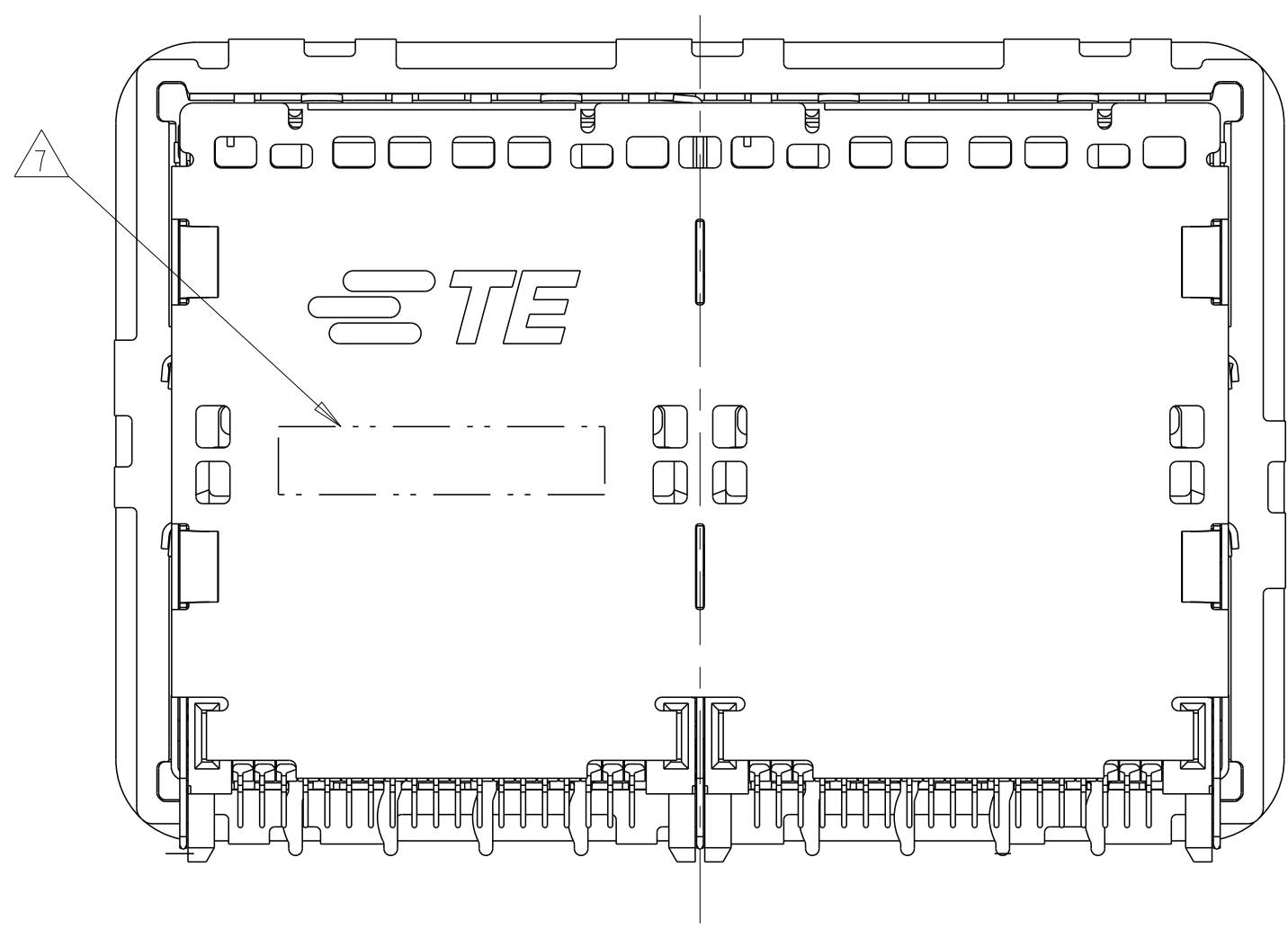
2227225-1 / 2227225-4
 NO LIGHTPIPE IN ASSEMBLY
 SCALE 3:1



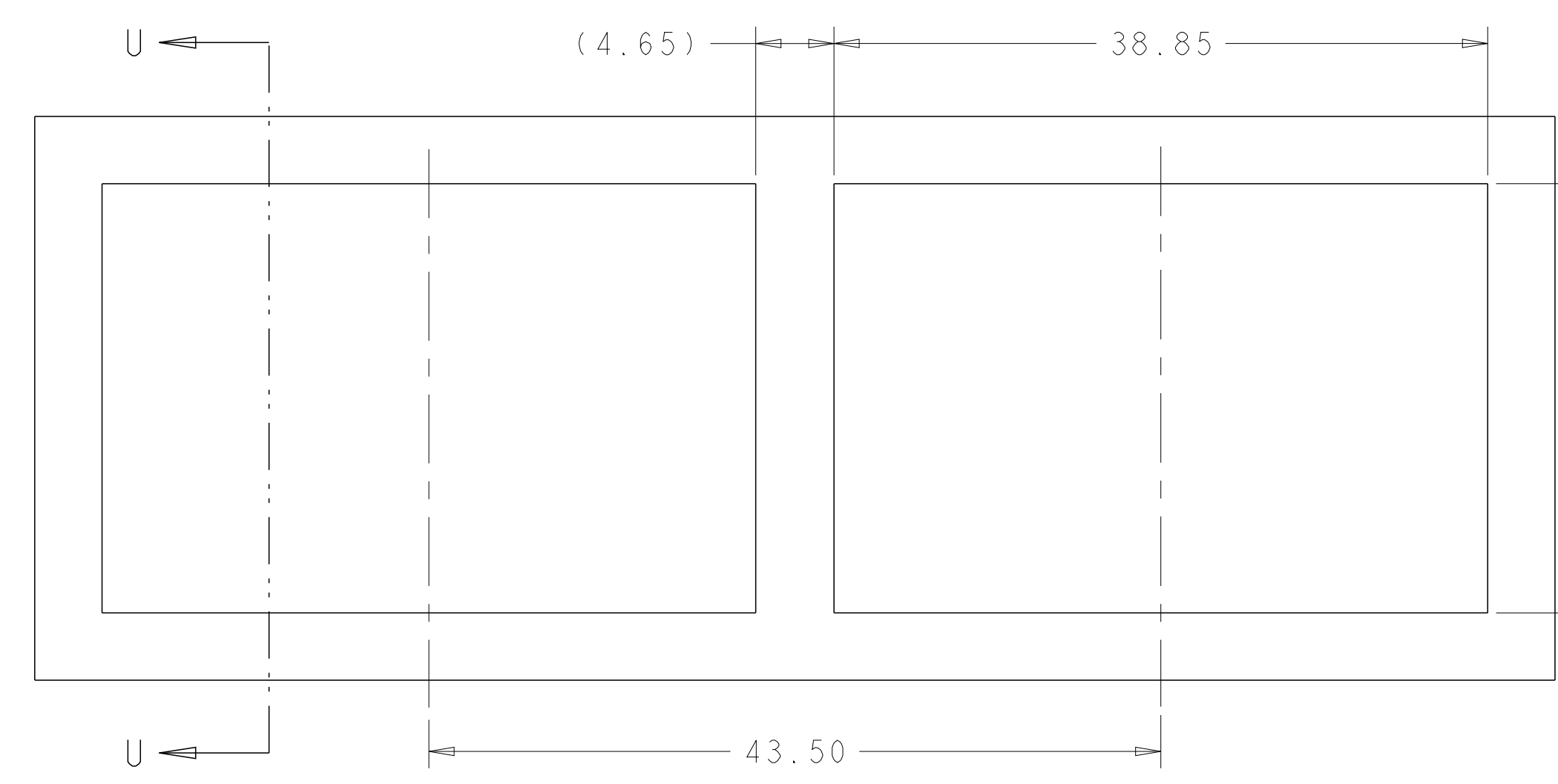
2227225-2 / 2227225-5
 LEFT LIGHTPIPE INDICATOR
 POINTING TO UPPER PORT
 SCALE 3:1



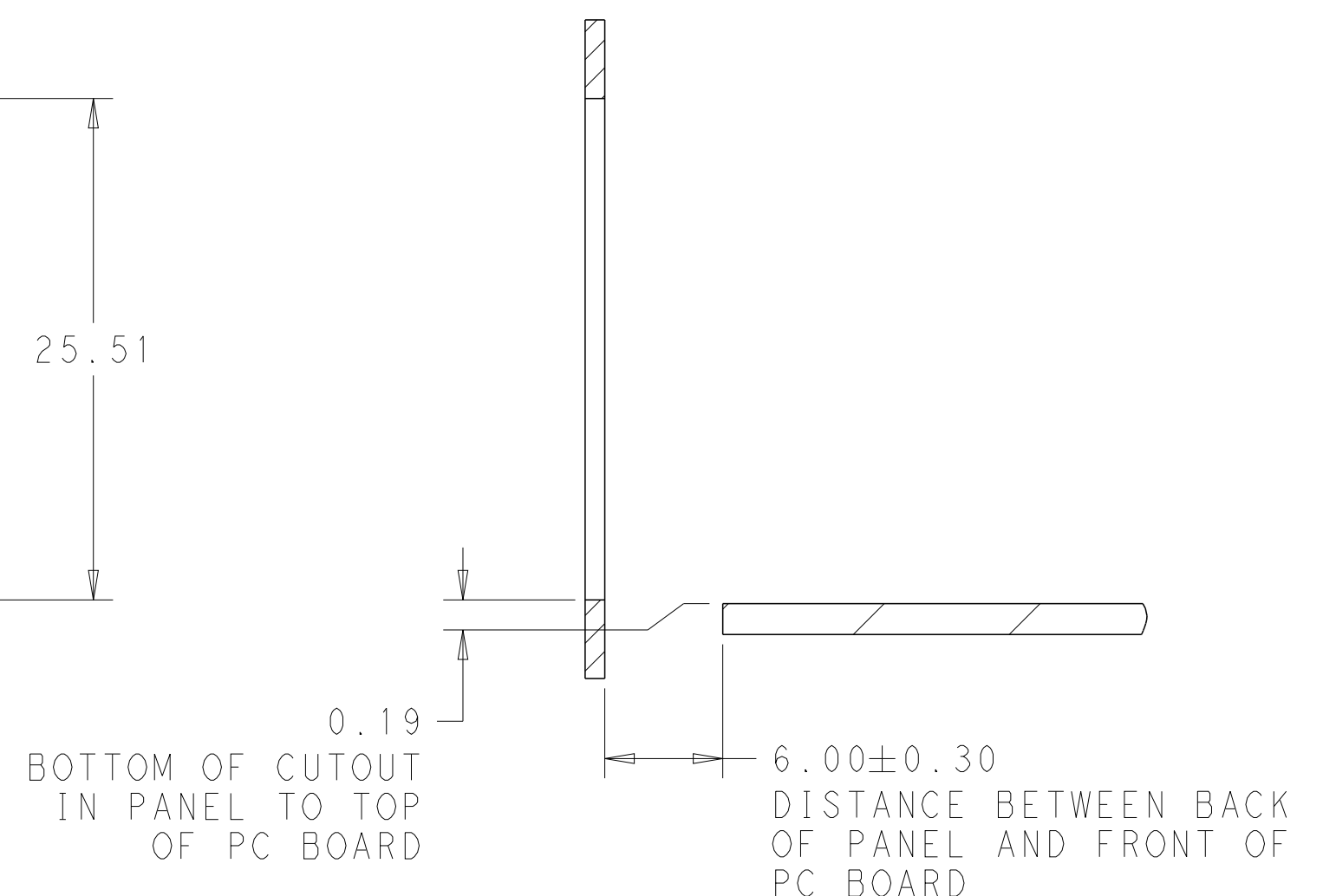
2227225-3 / 2227225-6
 LEFT LIGHTPIPE INDICATOR
 POINTING TO LOWER PORT
 SCALE 3:1



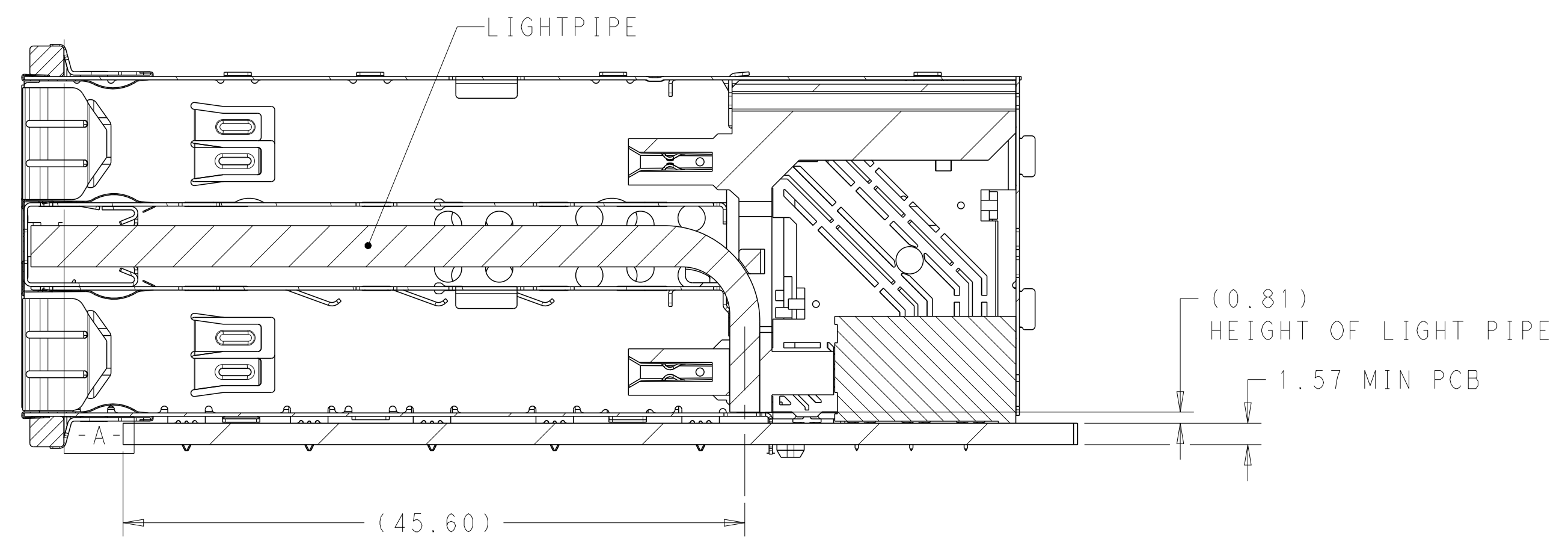
VIEW Y-Y



RECOMMENDED PANEL CUTOUT
 AND PC BOARD, PANEL POSITION
 SCALE 3:1



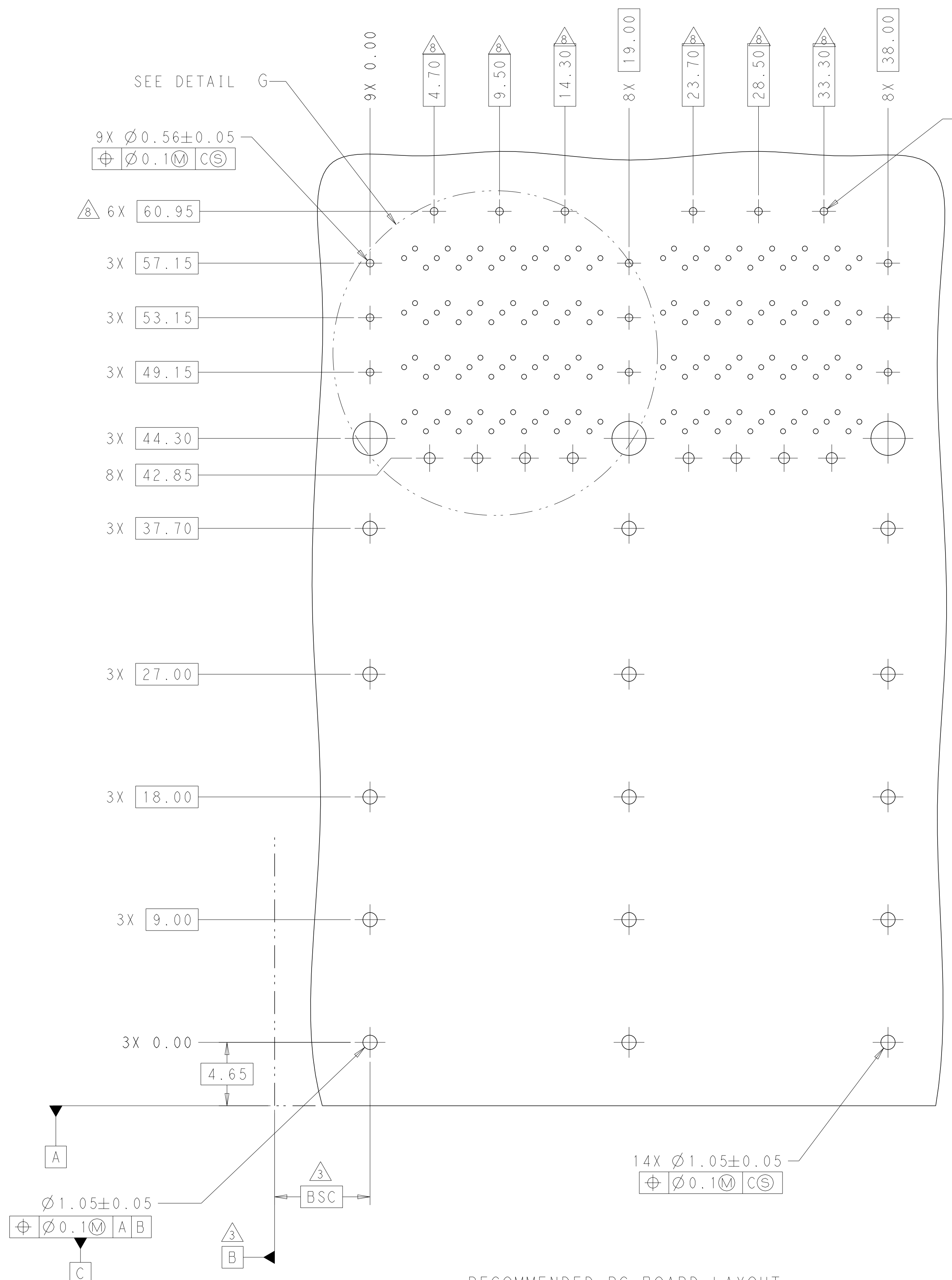
SECTION U-U



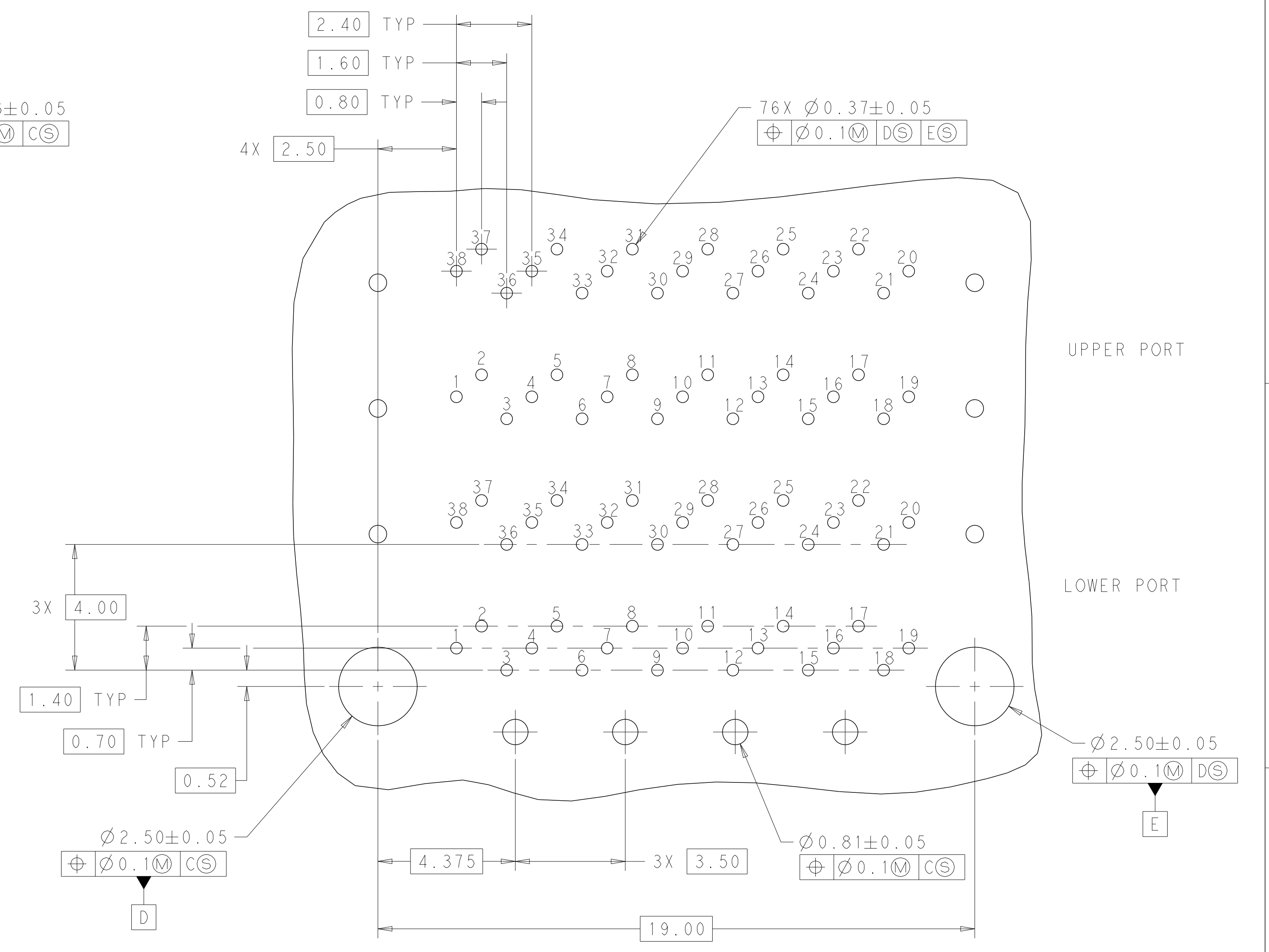
SECTION V-V
 SCALE 3:1

THIS DRAWING IS A CONTROLLED DOCUMENT. DIMENSIONING AND TOLERANCING PER ASME Y14.5M-2009.		DWN: M. SHIRK CHK: D. SZCZESNY 03AUG2012 03AUG2012	TE Connectivity NAME: CAGE AND CONNECTOR ASSEMBLY, WITH EMI GASKET, 2X2, ZQSFP+ STACKED
DIMENSIONS: mm TOLERANCES UNLESS OTHERWISE SPECIFIED: 0 PLC ± 1 PLC ±0.25 2 PLC ±0.15 3 PLC ± 4 PLC ± ANGLES ± FINISH ±	PRODUCT SPEC: 108-60102 APPLICATION SPEC: 114-60015	SIZE: A1 CAGE CODE: 100779 DRAWING NO: C=2227225	
MATERIAL: SEE NOTE 1	FINISH: SEE NOTE 2	WEIGHT: -	RESTRICTED TO: - SCALE: 4:1 SHEET 2 OF 4 REV A1

LOC	DIST	REV	DATE	BY	APPV
		1			
		2			
		3			
		4			



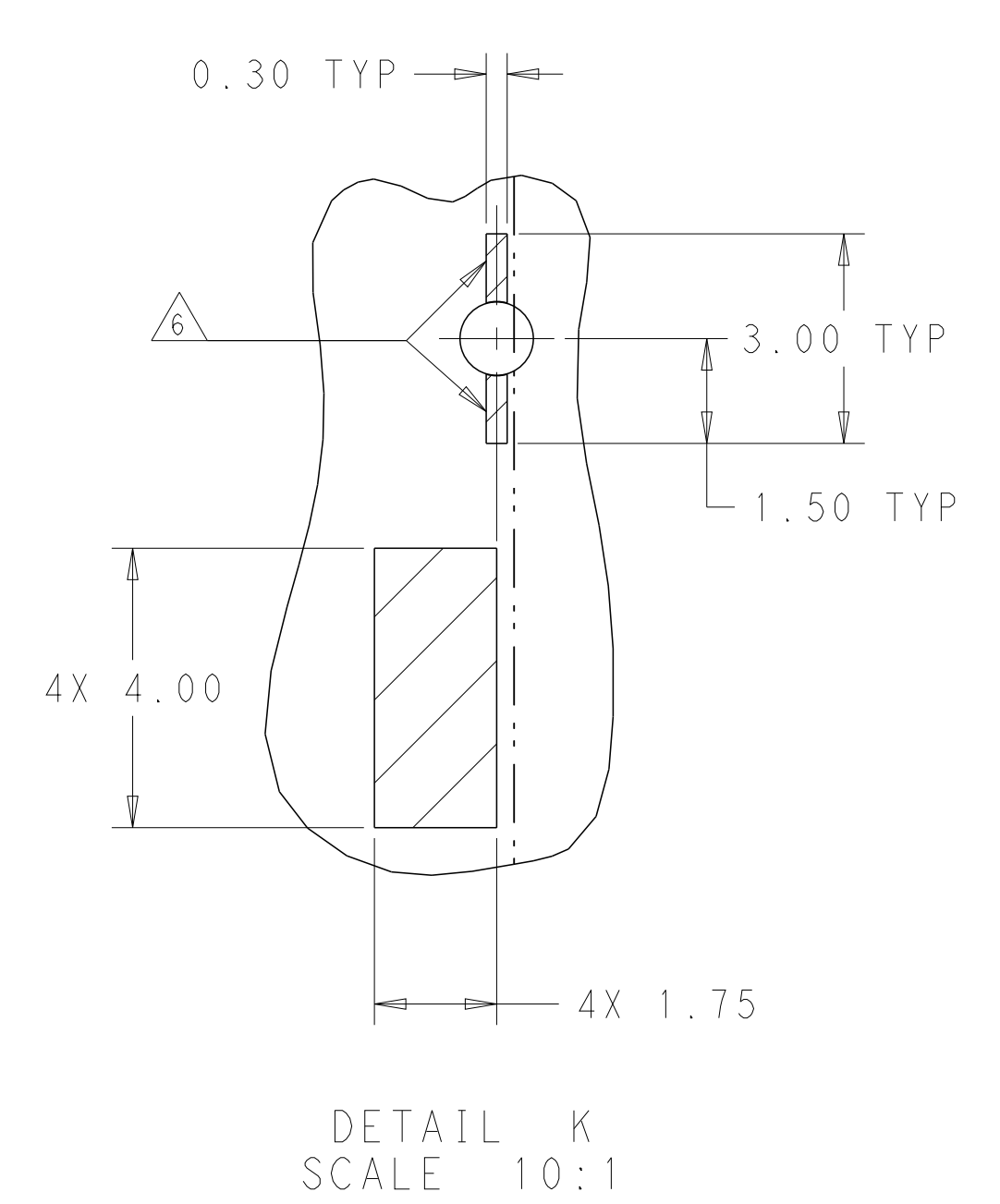
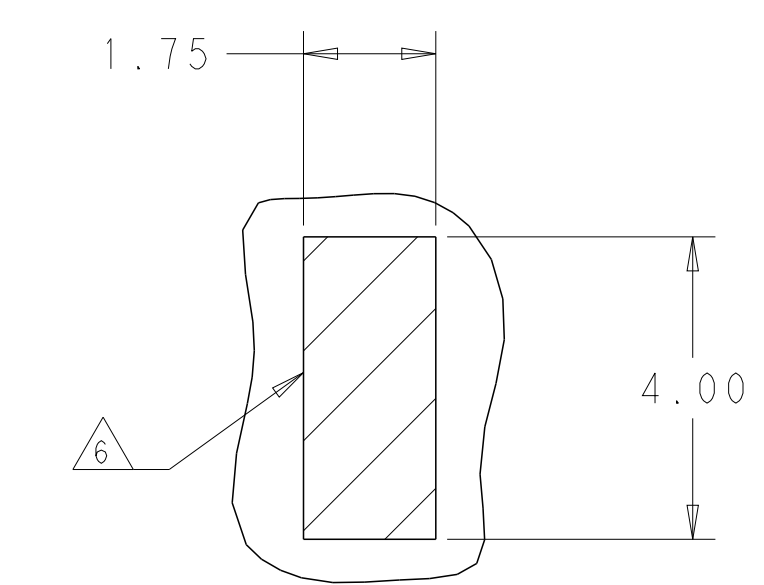
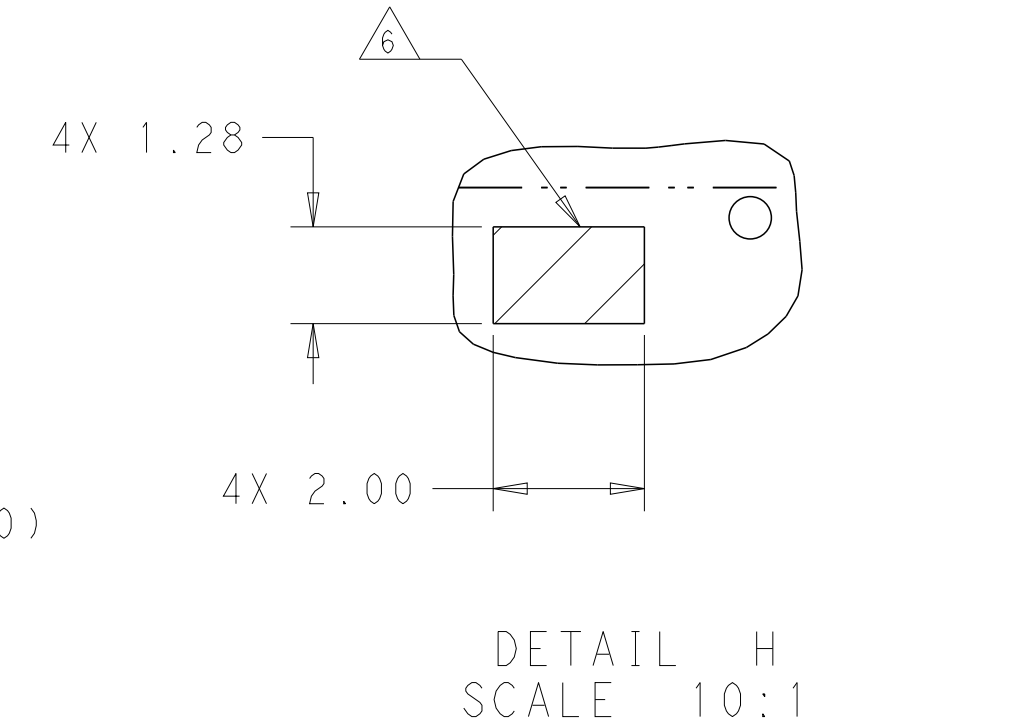
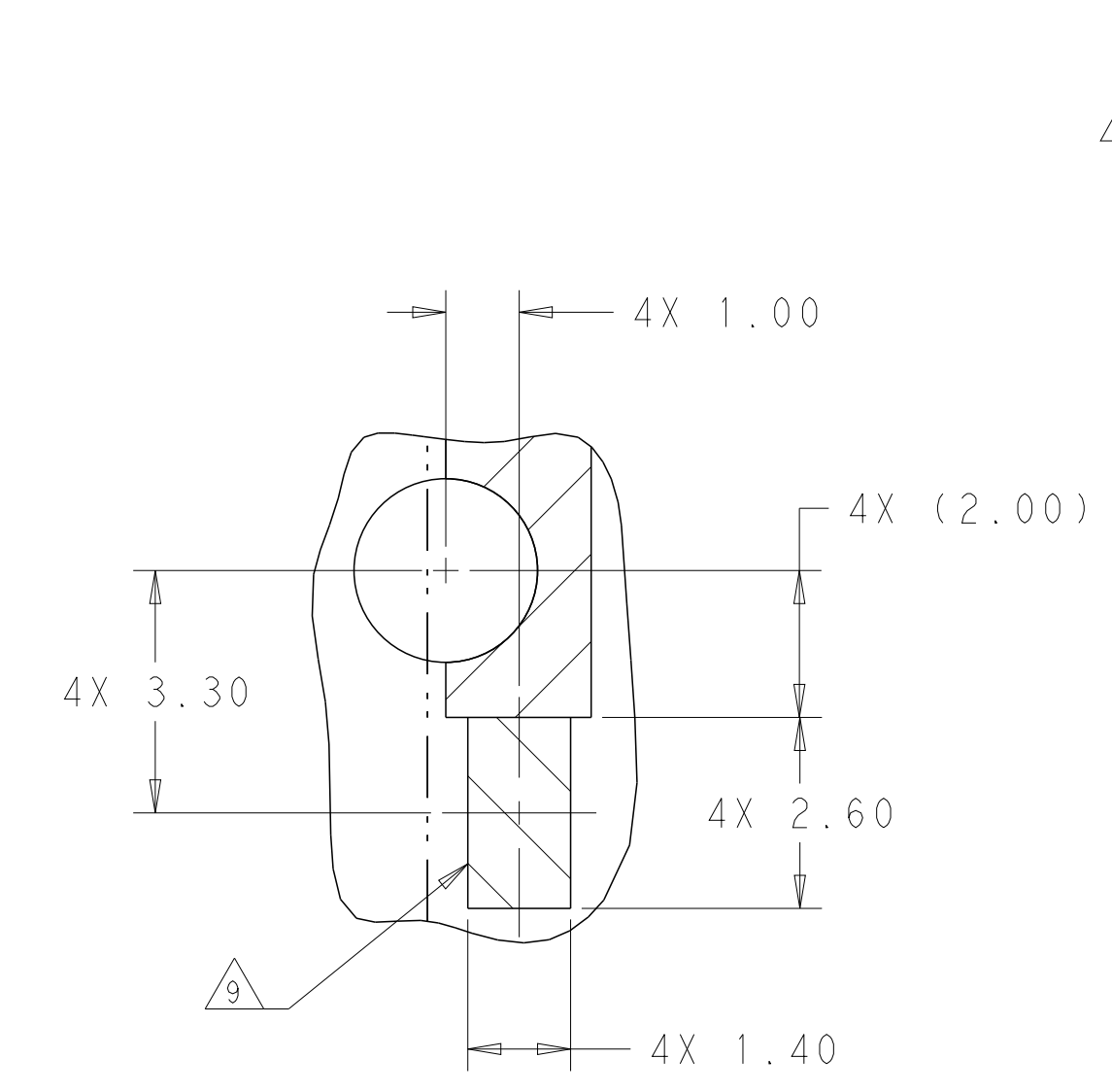
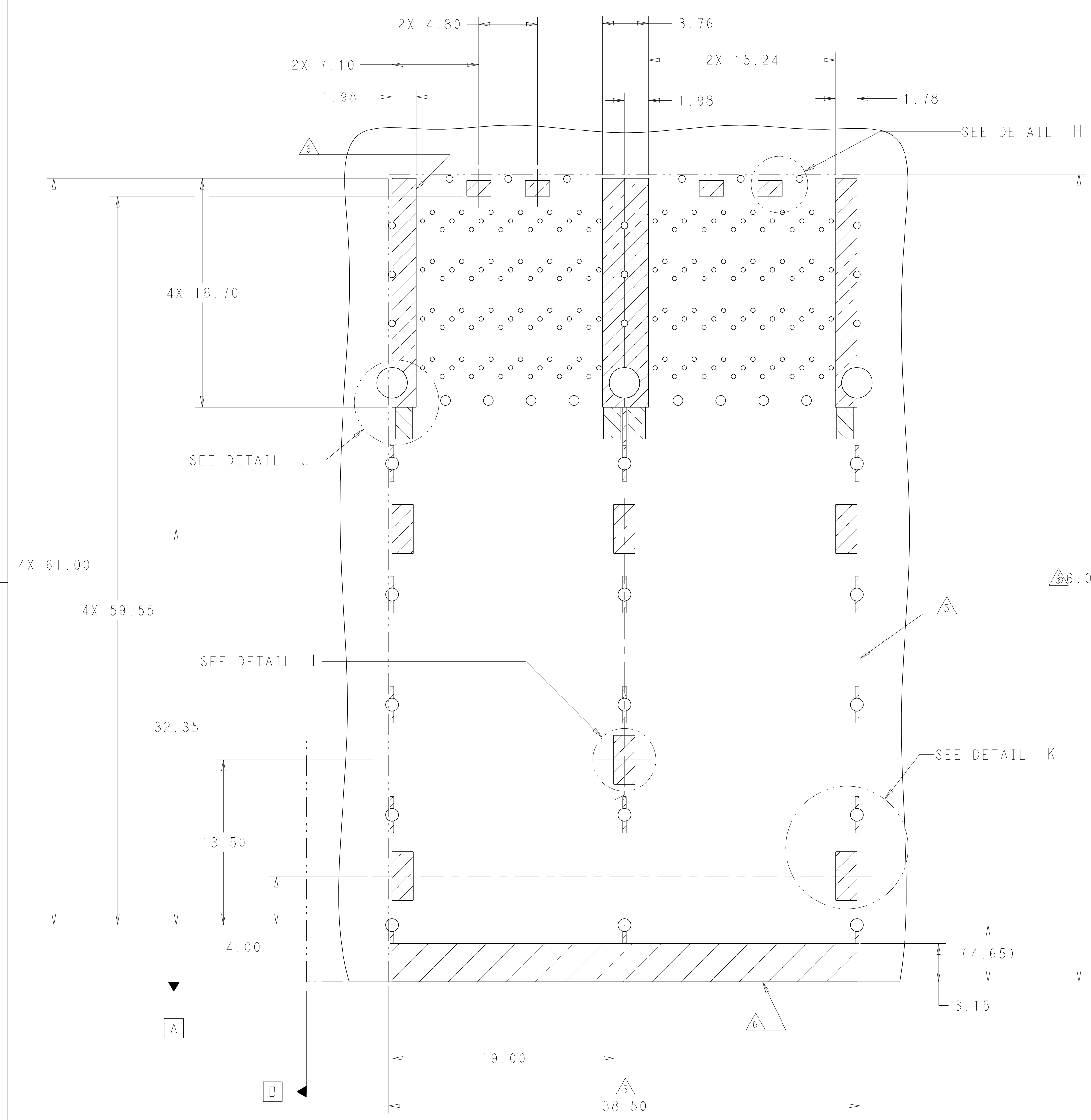
RECOMMENDED PC BOARD LAYOUT
 COMPONENT SIDE OF BOARD
 (PCB TOLERANCE ± 0.05)
 SCALE 5:1



DETAIL G
 2X INDIVIDUALLY
 SCALE 10:1

THIS DRAWING IS A CONTROLLED DOCUMENT. DIMENSIONING AND TOLERANCING PER ASME Y14.5M-2009.		DWN: M_SHIRK CHK: D_SZCZESNY	03AUG2012 03AUG2012	TE Connectivity NAME: CAGE AND CONNECTOR ASSEMBLY, WITH EMI GASKET, 2X2, ZQSFP+ STACKED PRODUCT SPEC: 108-60102 APPLICATION SPEC: 114-60015 SIZE: A1 CAGE CODE: 2227225 DRAWING NO: 2227225	RESTRICTED TO
DIMENSIONS: mm	TOLERANCES UNLESS OTHERWISE SPECIFIED:	APVD:	APVD:		SCALE: 4:1
0 PLC \pm	1 PLC ± 0.25			CUSTOMER DRAWING	REV: A1
2 PLC ± 0.15	3 PLC \pm				
4 PLC \pm	ANGLES \pm				
MATERIAL: SEE NOTE 1	FINISH: SEE NOTE 2				

LOC	DIST	REV	DATE	BY	APPV
		1			
		2			
		3			
		4			



KEEPOUT AREAS
 COMPONENT SIDE OF BOARD
 SCALE 5:1

THIS DRAWING IS A CONTROLLED DOCUMENT. DIMENSIONING AND TOLERANCING PER ASME Y14.5M-2009		DWN: M. SHIRK CHK: D. SZCZESNY	03AUG2012 03AUG2012	TE Connectivity NAME: CAGE AND CONNECTOR ASSEMBLY, WITH EMI GASKET, 2X2, ZQSFP+ STACKED PRODUCT SPEC: 108-60102 APPLICATION SPEC: 114-60015 SIZE: 114-60015 WEIGHT: - CUSTOMER DRAWING
DIMENSIONS: mm	TOLERANCES UNLESS OTHERWISE SPECIFIED:	APVD: -	DATE: 03AUG2012	
0 PLC ±0.25	1 PLC ±0.15	2 PLC ±0.15	3 PLC ±0.15	RESTRICTED TO: -
4 PLC ±0.15	ANGLES ±0.15	FINISH: -	SCALE: 4:1	SHEET: 4 OF 4
MATERIAL: -	SEE NOTE 1	SEE NOTE 2	REV: A1	REV: A1