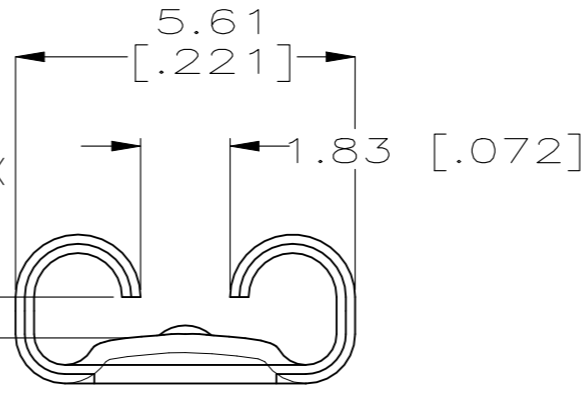
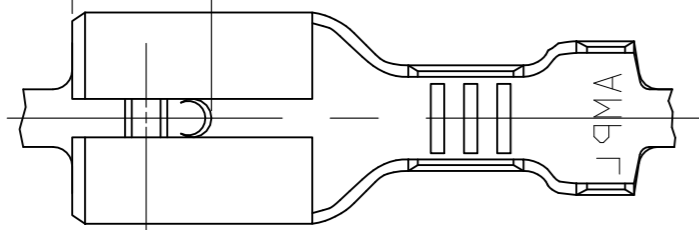


P	LTR	DESCRIPTION	DATE	DWN	APVD
	J2	REVISED PER ECR-23-169818	21MAR2023	DB	RE

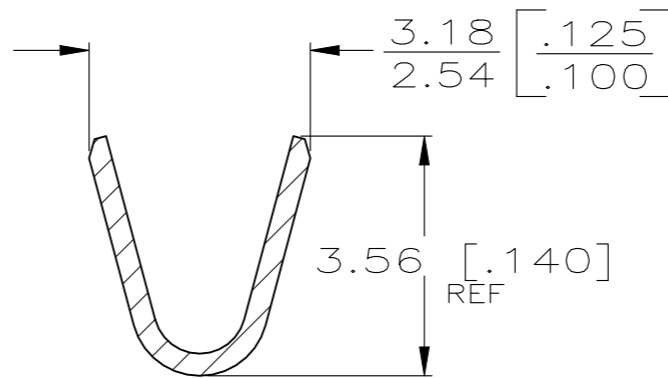
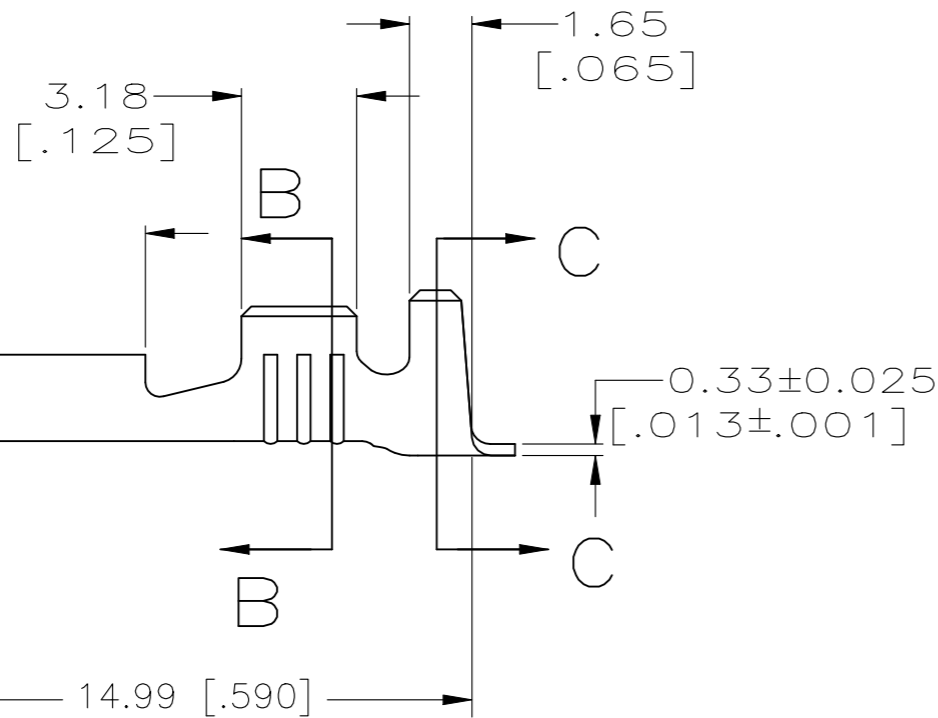
- 1 ACCEPTS WIRE SIZE [#20-#16] AWG.
- 2 INSULATION RANGE IS 2.29-3.30 [.090-.130] DIA.
- 3 CONTINUOUS STRIP ON REELS.
- 4 MATING TAB THK IS 0.84-0.76 [.033-.030].
- △5 SPECIAL PACKAGING
- △7 PRELIMINARY - NOT FOR PRODUCTION

3.68  
[.145]

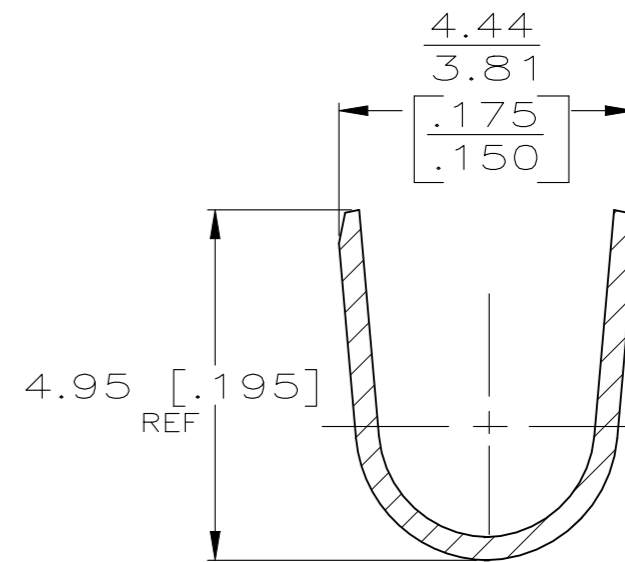
GAP AS REQUIRED TO MEET FORCE SPECIFICATIONS AND 0.71 [.028] MAX



VIEW A-A  
SCALE 8:1



SECTION B-B  
SCALE 8:1



SECTION C-C  
SCALE 8:1

TIN	PHOS BRONZE	63477-6
-	BRASS	△5 63477-5 △7
TIN	BRASS	63477-2
-	BRASS	63477-1
FINISH	MATERIAL	PART NO.

THIS DRAWING IS A CONTROLLED DOCUMENT.		DWN JR RUTH 11/9/87	TE Connectivity RECEPTACLE, LIF, FASTON, 4.75 [.187] SERIES				
DIMENSIONS: mm [INCHES]		CHK G YETTER 11/10/87					
TOLERANCES UNLESS OTHERWISE SPECIFIED:		APVD R KUZO 11/10/87					
0 PLC ± - 1 PLC ± - 2 PLC ± 0.25 [.010] 3 PLC ± - 4 PLC ± - ANGLES ± -		PRODUCT SPEC -					
MATERIAL SEE TABLE	FINISH SEE TABLE	APPLICATION SPEC -	NAME	SIZE	CAGE CODE	DRAWING NO	RESTRICTED TO
CUSTOMER DRAWING			WEIGHT 0.000000	A3	00779	C-63477	-
			SCALE 5:1	SHEET 1 OF 1	REV J2		