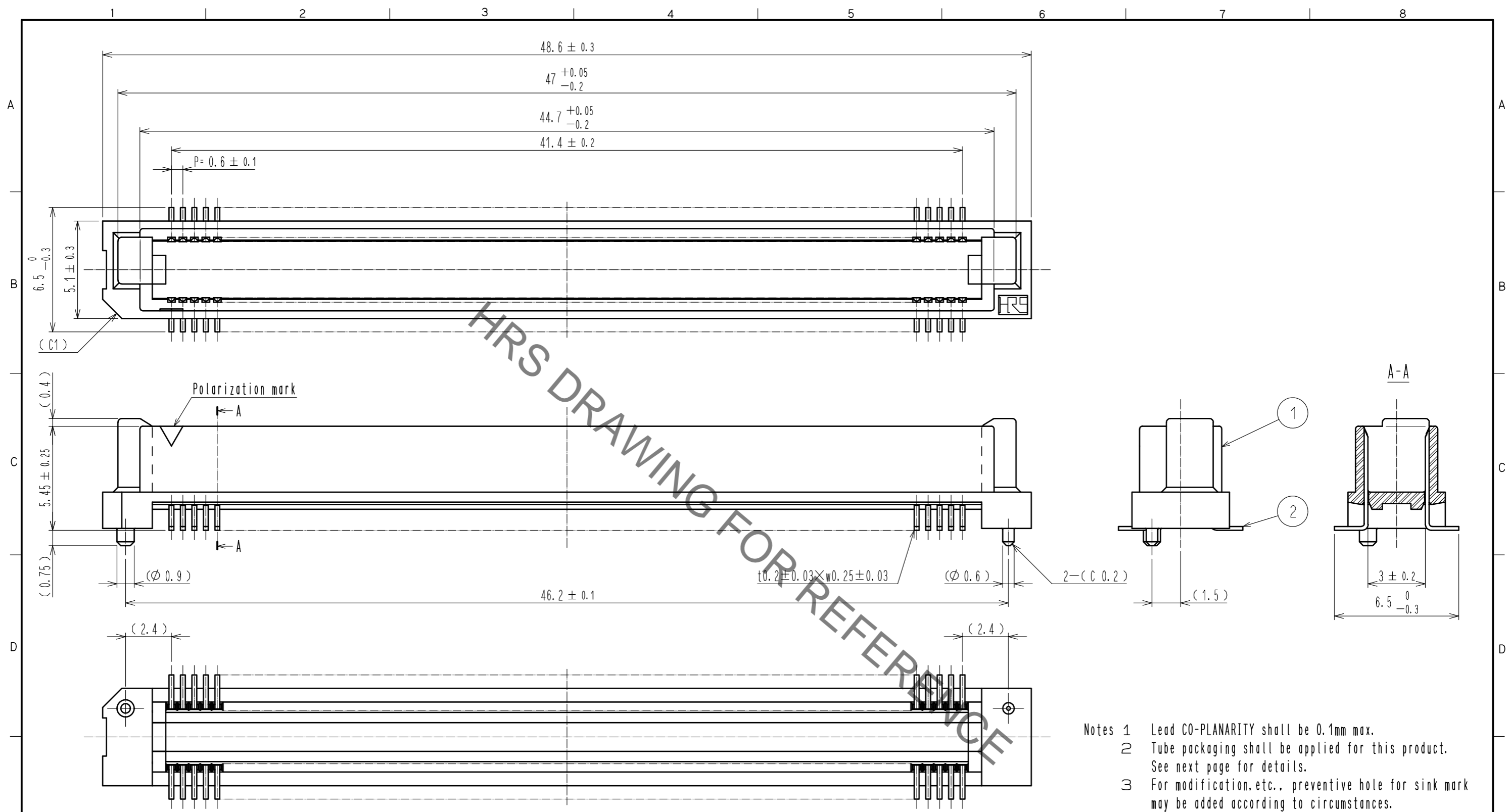
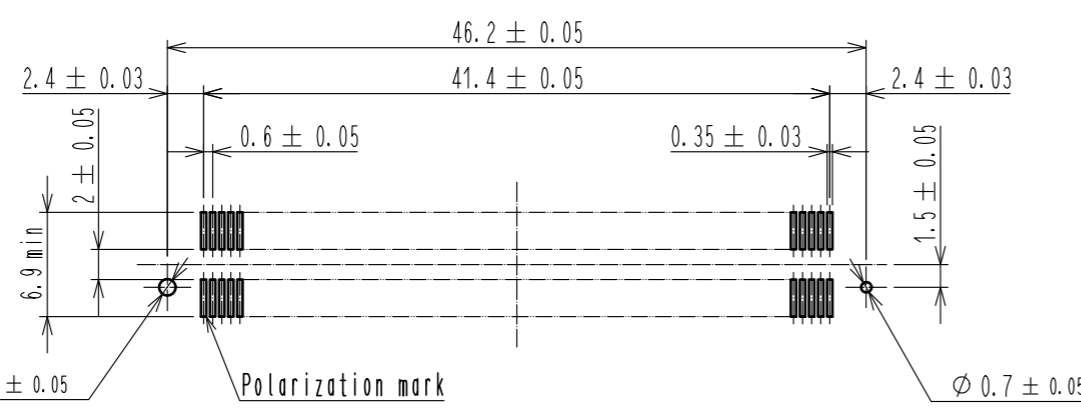


May.1.2023 Copyright 2023 HIROSE ELECTRIC CO., LTD. All Rights Reserved.
In case of consideration for using Automotive equipment / device which demand high reliability, kindly contact our sales window correspondents.



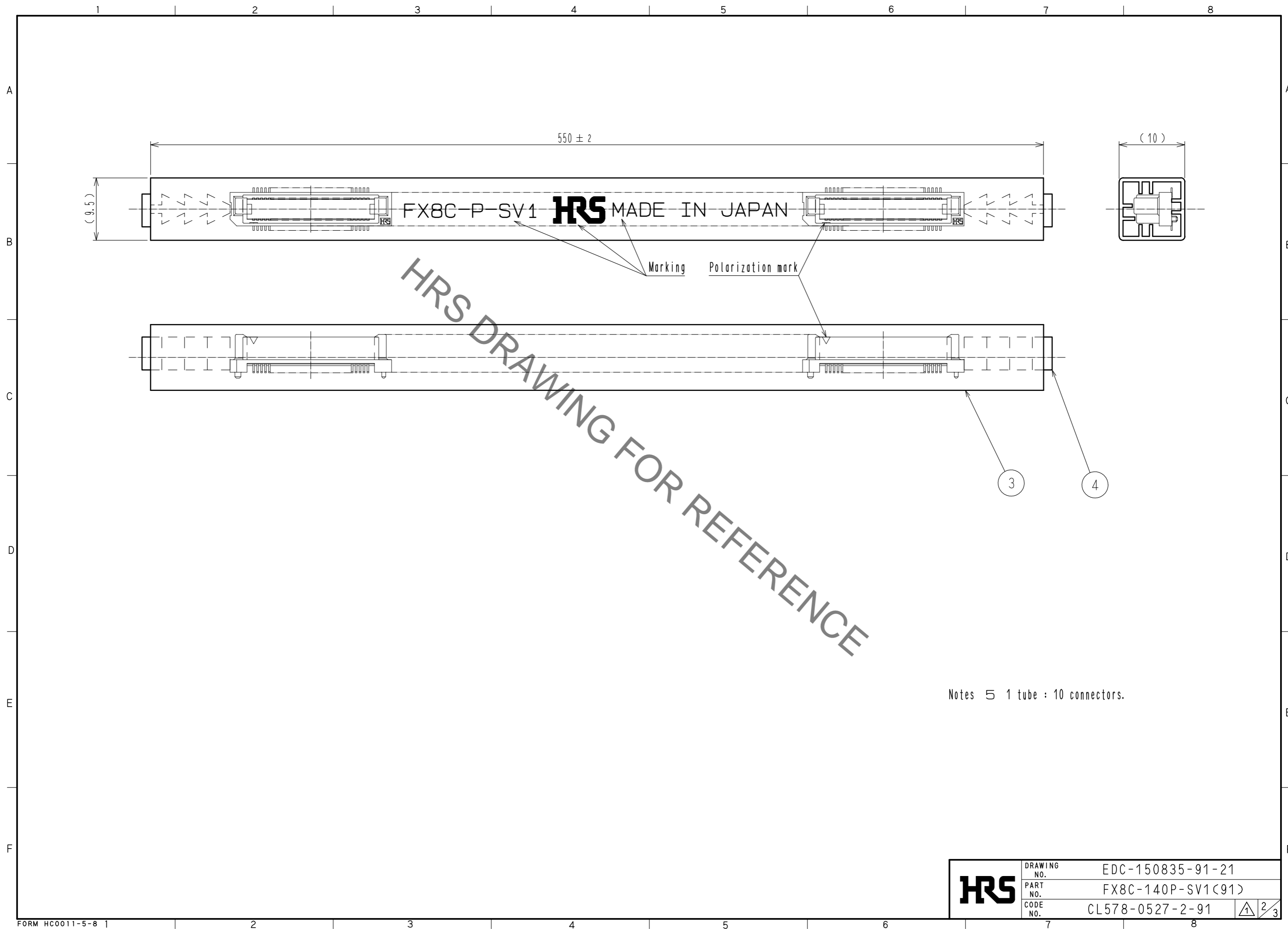
- Notes
- 1 Lead CO-PLANARITY shall be 0.1mm max.
 - 2 Tube packaging shall be applied for this product. See next page for details.
 - 3 For modification, etc., preventive hole for sink mark may be added according to circumstances.
 - 4 The dimensions in parentheses are for reference.

Recommended land pattern dimension of PCB (Mounting side)(2:1)



2	PHOSPHOR BRONZE	Contact area : Gold 0.1 μ m min.	4	POLYVINYL CHLORIDE	<Stopper>
		Lead area : Tin-plating 1 μ m min.			
1	PPS	Under plating : Nickel 1 μ m min.	3	POLYVINYL CHLORIDE	<Tube>
		Light brown (UL94V-0)			
NO.	MATERIAL	FINISH . REMARKS	NO.	MATERIAL	FINISH . REMARKS
UNITS		SCALE	COUNT	DESCRIPTION OF REVISIONS	
mm		5 : 1	1	DIS-F-00006414	
HRS HIROSE ELECTRIC CO., LTD.		APPROVED : HS. OKAWA	20051216	DESIGNED	KS. NAKAJIMA
		CHECKED : HS. OZAWA	20051216	CHECKED	HT. YAMAGUCHI
		DESIGNED : KY. NAKAMURA	20051216	DATE	20200803
		DRAWN : SY. KAMIGA	20051108	DRAWING NO. EDC-150835-91-21	
				PART NO. FX8C-140P-SV1(91)	
				CODE NO. CL578-0527-2-91	

May.1.2023 Copyright 2023 HIROSE ELECTRIC CO., LTD. All Rights Reserved.
In case of consideration for using Automotive equipment / device which demand high reliability, kindly contact our sales window correspondents.



HRS	DRAWING NO.	EDC-150835-91-21
	PART NO.	FX8C-140P-SV1(91)
	CODE NO.	CL578-0527-2-91

2/3

May.1.2023 Copyright 2023 HIROSE ELECTRIC CO., LTD. All Rights Reserved.
In case of consideration for using Automotive equipment / device which demand high reliability, kindly contact our sales window correspondents.

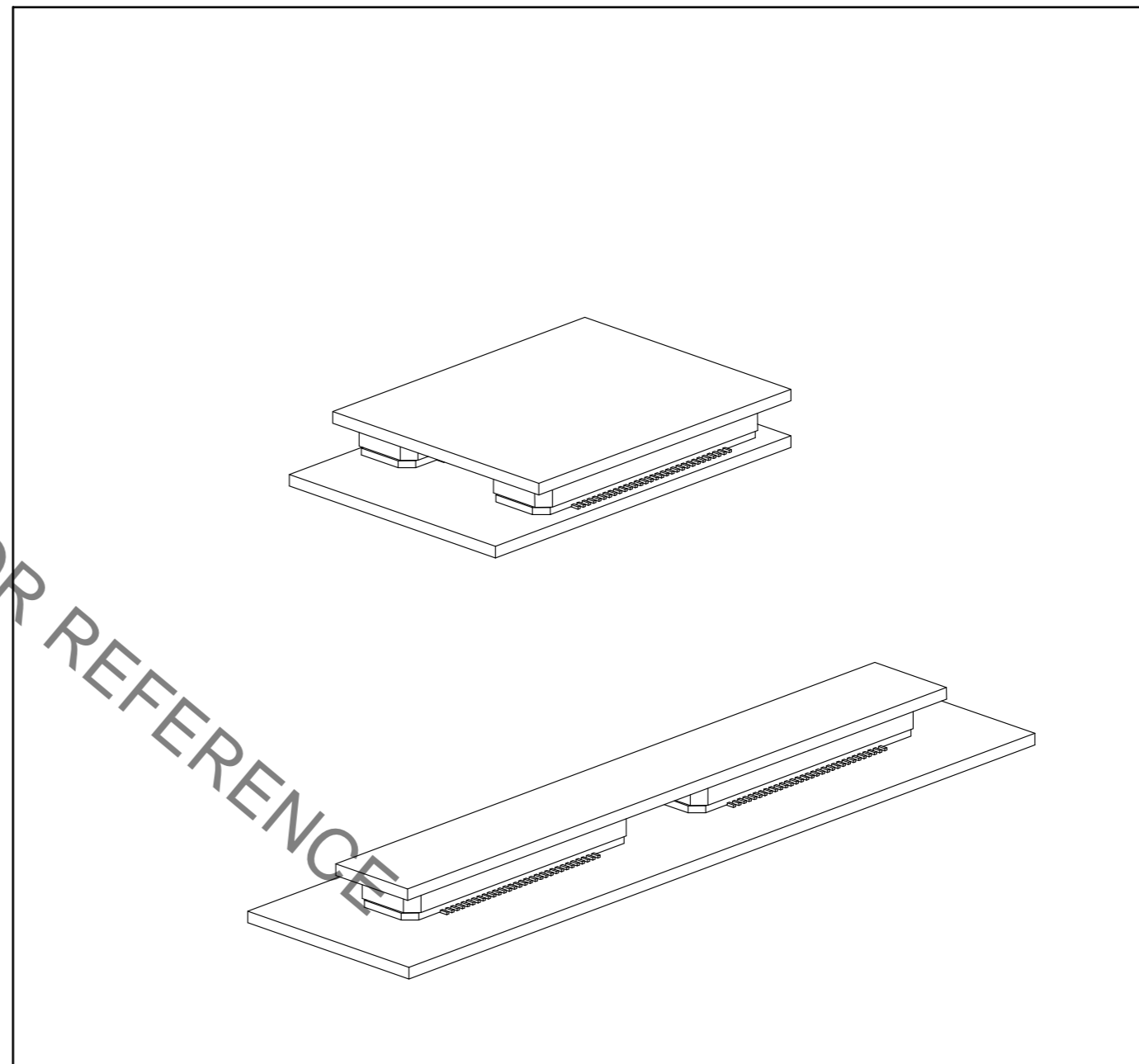
【 Precaution 】

When a board with multiple connectors mounted is mated, the connector may be damaged or deformed.
Please divide one side of the board so only one connector is mated per board.

OK



NG



HRS DRAWING FOR REFERENCE

HRS	DRAWING NO.	EDC-150835-91-21
	PART NO.	FX8C-140P-SV1(91)
	CODE NO.	CL578-0527-2-91
		3/3