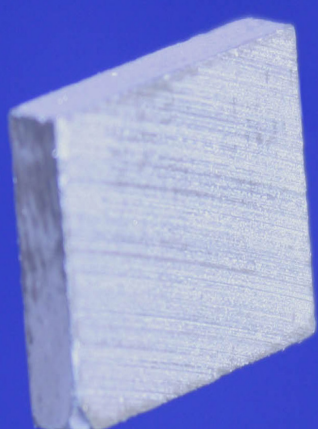
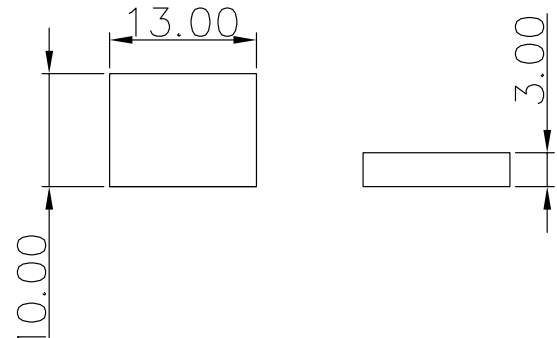


PICTURE	DIMENSIONS
 <p style="color: green; font-weight: bold; margin-top: 10px;">✓ RoHS Compliant</p>	<p>RSH48</p>  <p style="font-size: small; margin-top: 20px;">Drawings not to scale All dimensions in mm nominal</p>

SPECIFICATION		
Material	Alcomax	
Size	Length mm	13
	Width mm	10
	Height mm	3
Gauss strength / surface (typical)	900	
Temperature	Max Celsius	550°

Applications Include	Options
<ul style="list-style-type: none"> <li>Access control.</li> <li>Appliance switching.</li> <li>Control panel.</li> <li>Proximity switching.</li> </ul>	<ul style="list-style-type: none"> <li>Neodymium grades up to 52 available.</li> <li>Cylindrical, ring, rod and hosued magnets available.</li> </ul>

Did you know we also sell?	
 <small>Float Switches</small>	 <small>Pressure Switches</small>
 <small>Magnets</small>	 <small>Proximity Switches</small>
 <small>Reed Switches</small>	 <small>Reed Relays</small>
 <small>Solid State Relays</small>	<ul style="list-style-type: none"> <li>Custom magnets from Neodymium, Samarium Cobalt, Alcomax. Plated, unplated, powder coated.</li> <li>If you do not see what you need, just ask, as there is a strong possibility we can do it !</li> </ul>

Rev. No.	Revision Note	Date	Signature
1	Datasheet	26-04-16	ML



As part of the company policy of continued product improvement, specifications may change without notice. Our sales office will be pleased to help you with the latest information on this product range and the details of our full design and manufacturing service. All products are supplied to our standard conditions of sale unless otherwise agreed in writing.

**Phone : +44 (0)1255 862236      www.comus-intl.com      Fax: +44 (0)1255 862014**