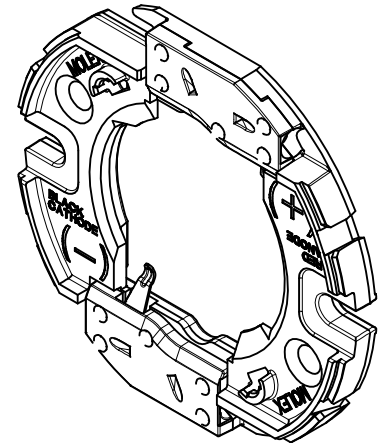
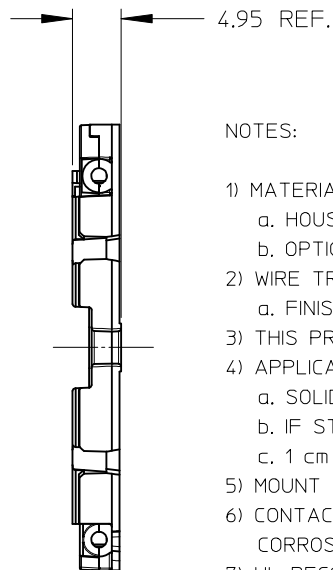
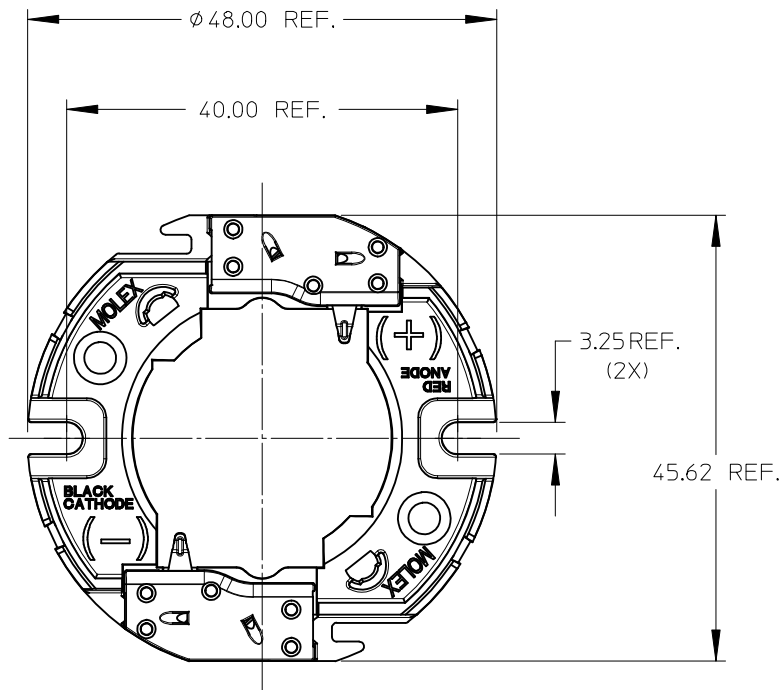
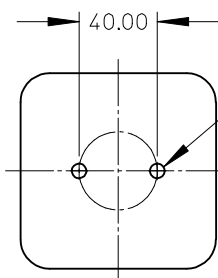


10	9	8	7
PART NUMBER	DESCRIPTION	SEE SHEET	
180150-0000	HOLDER WITHOUT LENS	3	
180150-0001	HOLDER WITH LENS	3	
180152-0000	COVER LENS ONLY	3	
N/A	REFLECTOR OPTION (LEDIL)	4	



NOTES:

- 1) MATERIALS:
  - a. HOUSING AND CAPS: NATURAL COLOR PA66 NYLON 25% GF UL94V-0
  - b. OPTIONAL SNAP ON COVER LENS: CLEAR POLYCARBONATE UL94HB
- 2) WIRE TRAP TERMINALS: COPPER ALLOY
  - a. FINISH: 2.50 MICRONS (100 μ in.) SILVER OVER 1.25 MICRONS (50 μ in.) NICKEL
- 3) THIS PRODUCT IS ELV AND ROHS COMPLIANT
- 4) APPLICABLE WIRE GAUGE - 18 OR 20 AWG
  - a. SOLID WIRE IS RECOMMENDED
  - b. IF STRANDED WIRE IS USED, PRE-TINNED IS RECOMMENDED
  - c. 1 cm STRIP LENGTH RECOMMENDED
- 5) MOUNT HOLDER USING M3 OR 4-40 SCREWS (2), 0.8 NEWTON METERS MAX TORQUE
- 6) CONTACT AREA OF TEMINAL HAS AN ENVIRONMENTAL BARRIER/LUBRICANT FOR CORROSION RESISTANCE
- 7) UL RECOGNIZED TO UL 496
- 8) c-UL RECOGNIZED TO CSA-22.2 No. 43 (2008)
- 9) RATED 600V
- 10) UL FILE NUMBER E345583

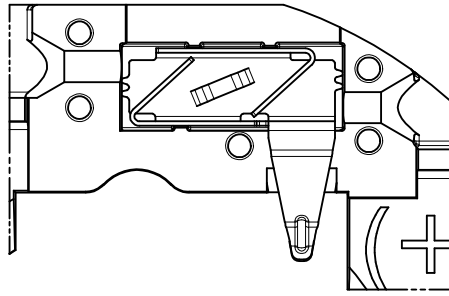
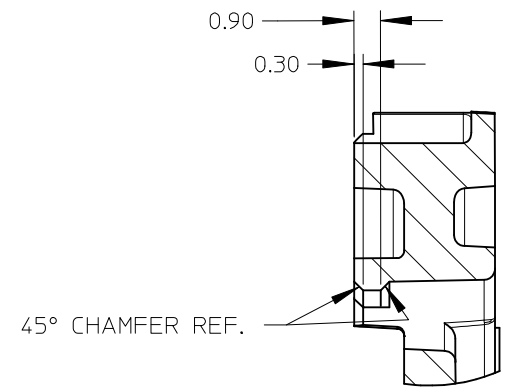
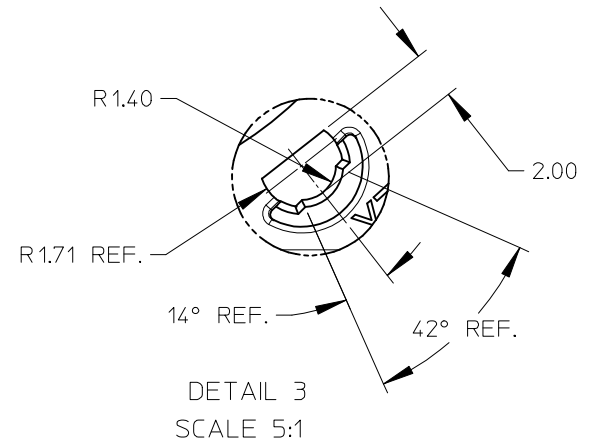
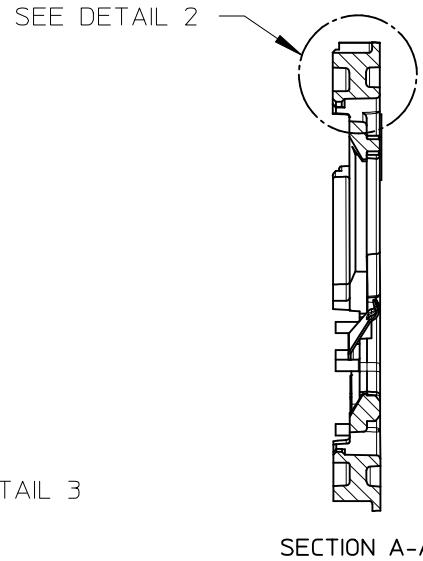
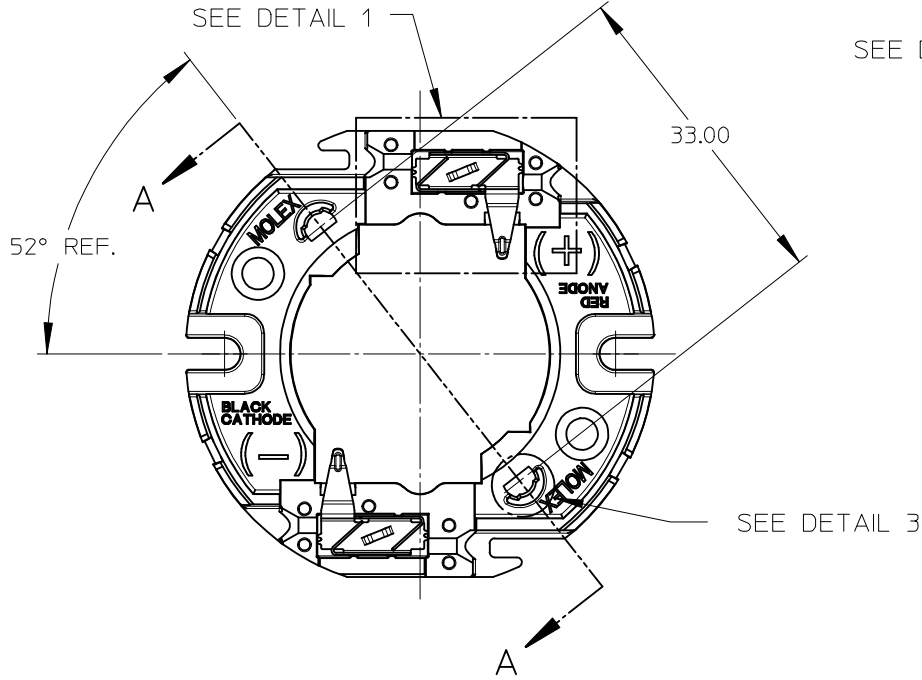


M3 OR 4-40 TAPPED HOLES (2)  
TORQUE SCREWS 0.8 NEWTON METERS MAX

RECOMMENDED MOUNTING DIMENSIONS (NTS)

<b>ENTER DESCRIPTION</b> EC NO: SSL2011-0088 DRAWN: CCARRANZA 2011/05/31 CHKD: APPR: DMC GOWAN 2011/05/31 REV: A4	<b>QUALITY SYMBOLS</b> ▽/0 ▽/0 ▽/0	<b>GENERAL TOLERANCES (UNLESS SPECIFIED)</b>		<b>DIMENSION STYLE</b> <b>MM ONLY</b>		<b>SCALE</b> 2:1	<b>DESIGN UNITS</b> METRIC	<b>THIRD ANGLE PROJECTION</b>		
		4 PLACES	± ---	± ---	DRAWN BY CCARRANZA	DATE 2010/08/24	<b>TITLE</b> LED HOLDER FOR BRIDGELUX ES ARRAY			
		3 PLACES	± ---	± ---	CHECKED BY DATE		<b>MATERIAL NO.</b> SEE CHART			
		2 PLACES	± 0.13	± ---	APPROVED BY DMC GOWAN		DATE 2010/10/12	<b>MOLEX INCORPORATED</b>		SHEET NO. 1 OF 4
1 PLACE ± 0.25 ± ---		ANGULAR ± 1/2°		MATERIAL NO.		DOCUMENT NO. SD-180150-000		THIS DRAWING CONTAINS INFORMATION THAT IS PROPRIETARY TO MOLEX INCORPORATED AND SHOULD NOT BE USED WITHOUT WRITTEN PERMISSION		
DRAFT WHERE APPLICABLE MUST REMAIN WITHIN DIMENSIONS		SEE CHART		SIZE B						

WIRE TRAP CAPS ARE REMOVED FROM FRONT VIEW FOR CLARITY



VIEW OF TWO-WAY WIRE TRAP  
 WIRE TRAPS WILL ACCOMODATE  
 EITHER 18 OR 20 GAUGE WIRE  
 DETAIL 1 SCALE 4:1

<b>ENTER DESCRIPTION</b> EC NO: SSL2011-0088 DRAWN: CCARRANZA 2011/05/31 CHKD: APPR: DMCGOWAN 2011/05/31 A4	<b>QUALITY SYMBOLS</b> ∇=0 ∇=0 ∇=0	<b>GENERAL TOLERANCES (UNLESS SPECIFIED)</b>		<b>DIMENSION STYLE</b> MM ONLY		SCALE 2:1	DESIGN UNITS METRIC	THIRD ANGLE PROJECTION		
		4 PLACES ± --- ± --- 3 PLACES ± --- ± --- 2 PLACES ± 0.13 ± --- 1 PLACE ± 0.25 ± ---	mm INCH	DRAWN BY CCARRANZA	DATE 2010/08/24	TITLE LED HOLDER FOR BRIDGELUX ES ARRAY				
		ANGULAR ± 1/2°		CHECKED BY DMCGOWAN	DATE 2010/10/12	APPROVED BY DMCGOWAN		DOCUMENT NO. SD-180150-000	SHEET NO. 2 OF 4	
		DRAFT WHERE APPLICABLE MUST REMAIN WITHIN DIMENSIONS		SEE CHART		THIS DRAWING CONTAINS INFORMATION THAT IS PROPRIETARY TO MOLEX INCORPORATED AND SHOULD NOT BE USED WITHOUT WRITTEN PERMISSION				

10 9 8 7 6 5 4 3 2 1

F

E

D

C

B

A

F

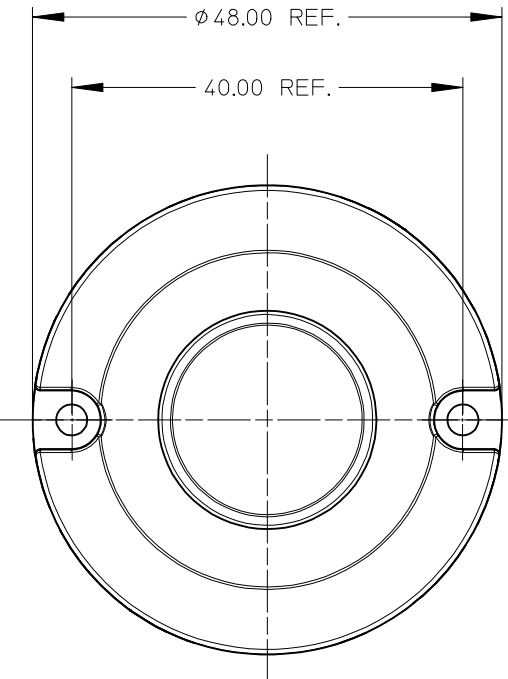
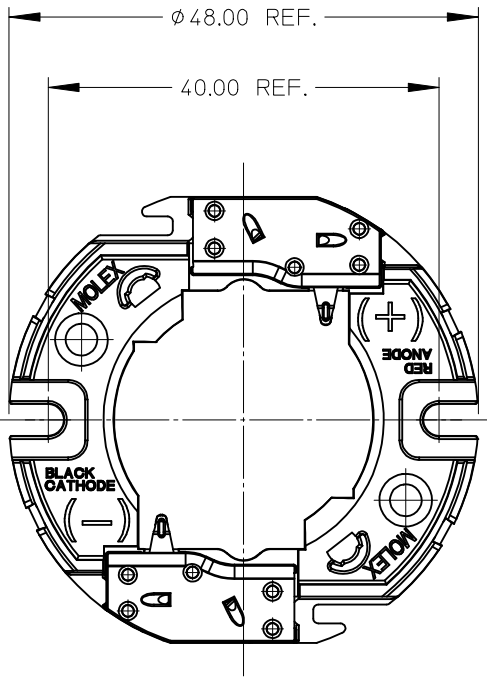
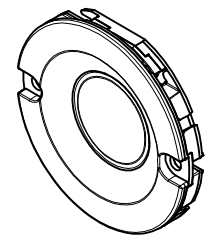
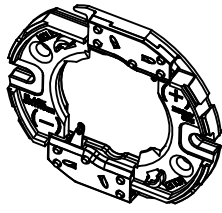
E

D

C

B

A



LED HOLDER PART NUMBER 180150-0000

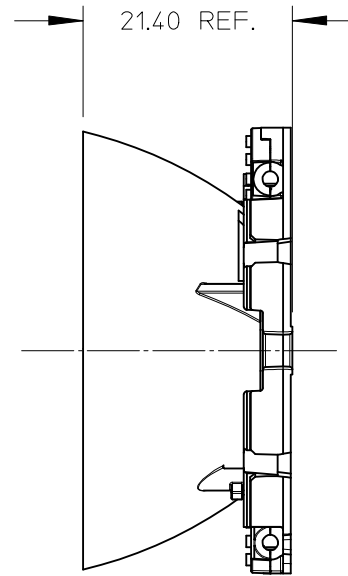
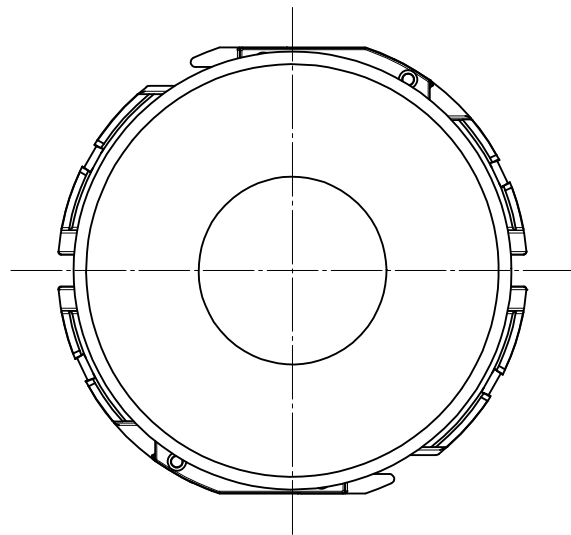
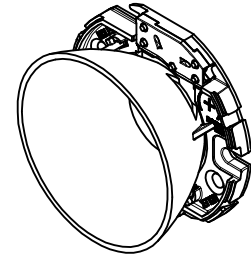
LED HOLDER SHOWN WITH OPTIONAL CLEAR COVER LENS  
MOLEX INDIVIDUAL COVER LENS PART NUMBER IS 180152-0000

<b>ENTER DESCRIPTION</b> EC NO: SSL2011-0088 DRAWN: CCARRANZA 2011/05/31 CHKD: APPR: DMCGOWAN 2011/05/31 REV <b>A4</b>	QUALITY SYMBOLS ▽=0 ▽=0 ▽=0	GENERAL TOLERANCES (UNLESS SPECIFIED) mm INCH 4 PLACES ± --- ± --- 3 PLACES ± --- ± --- 2 PLACES ± 0.13 ± --- 1 PLACE ± 0.25 ± --- ANGULAR ± 1/2°	DIMENSION STYLE <b>MM ONLY</b> DRAWN BY DATE CCARRANZA 2010/08/24 CHECKED BY DATE	SCALE <b>2:1</b> DESIGN UNITS <b>METRIC</b>	THIRD ANGLE PROJECTION
	LED HOLDER FOR BRIDGELUX ES ARRAY				
	APPROVED BY DATE DMCGOWAN 2010/10/12 MATERIAL NO.				
	DRAFT WHERE APPLICABLE MUST REMAIN WITHIN DIMENSIONS SEE CHART THIS DRAWING CONTAINS INFORMATION THAT IS PROPRIETARY TO MOLEX INCORPORATED AND SHOULD NOT BE USED WITHOUT WRITTEN PERMISSION				
MOLEX INCORPORATED DOCUMENT NO. SD-180150-000 SHEET NO. 3 OF 4					

9 8 7 6 5 4 3 2 1

10 9 8 7 6 5 4 3 2 1

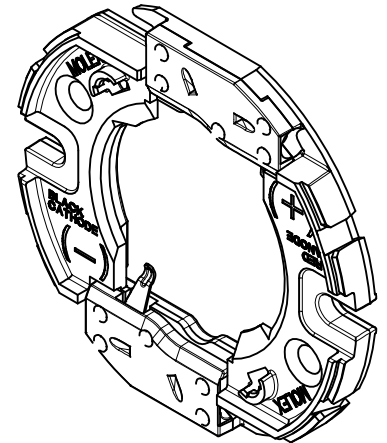
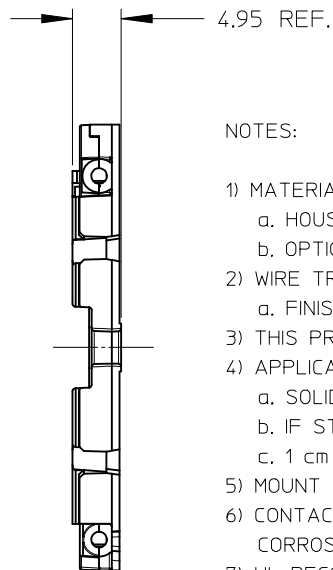
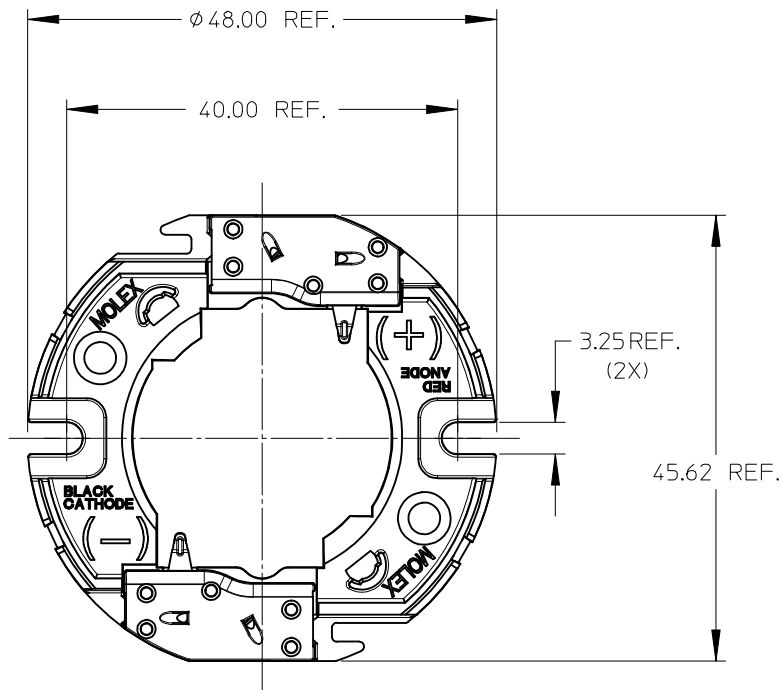
SHOWN WITH OPTIONAL REFLECTOR  
 SOLD SEPARATELY BY LEDIL @ www.ledil.com



ENTER DESCRIPTION EC NO: SSL2011-0088 DRAWN: CCARRANZA 2011/05/31 CHKD: APPR: DMCGOWAN 2011/05/31 REV <b>A4</b>	QUALITY SYMBOLS ▽/0 ▽/0 ▽/0	GENERAL TOLERANCES (UNLESS SPECIFIED) <table border="1"> <thead> <tr> <th></th> <th>mm</th> <th>INCH</th> </tr> </thead> <tbody> <tr> <td>4 PLACES</td> <td>± ---</td> <td>± ---</td> </tr> <tr> <td>3 PLACES</td> <td>± ---</td> <td>± ---</td> </tr> <tr> <td>2 PLACES</td> <td>± 0.13</td> <td>± ---</td> </tr> <tr> <td>1 PLACE</td> <td>± 0.25</td> <td>± ---</td> </tr> <tr> <td colspan="3">ANGULAR ±1/2°</td> </tr> </tbody> </table>		mm	INCH	4 PLACES	± ---	± ---	3 PLACES	± ---	± ---	2 PLACES	± 0.13	± ---	1 PLACE	± 0.25	± ---	ANGULAR ±1/2°			DIMENSION STYLE <b>MM ONLY</b>	SCALE <b>4:1</b>	DESIGN UNITS <b>METRIC</b>	THIRD ANGLE PROJECTION
		mm	INCH																					
	4 PLACES	± ---	± ---																					
	3 PLACES	± ---	± ---																					
2 PLACES	± 0.13	± ---																						
1 PLACE	± 0.25	± ---																						
ANGULAR ±1/2°																								
DRAWN BY CCARRANZA	DATE 2010/08/24	TITLE <b>LED HOLDER FOR BRIDGELUX ES ARRAY</b>																						
CHECKED BY	DATE	APPROVED BY DMCGOWAN																						
MATERIAL NO.	DATE 2010/10/12	SEE CHART		DOCUMENT NO. <b>SD-180150-000</b>	SHEET NO. 4 OF 4																			
DRAFT WHERE APPLICABLE MUST REMAIN WITHIN DIMENSIONS																								
THIS DRAWING CONTAINS INFORMATION THAT IS PROPRIETARY TO MOLEX INCORPORATED AND SHOULD NOT BE USED WITHOUT WRITTEN PERMISSION																								

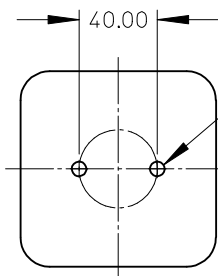
9 8 7 6 5 4 3 2 1

10	9	8	7
PART NUMBER	DESCRIPTION	SEE SHEET	
180150-0000	HOLDER WITHOUT LENS	3	
180150-0001	HOLDER WITH LENS	3	
180152-0000	COVER LENS ONLY	3	
N/A	REFLECTOR OPTION (LEDIL)	4	



NOTES:

- 1) MATERIALS:
  - a. HOUSING AND CAPS: NATURAL COLOR PA66 NYLON 25% GF UL94V-0
  - b. OPTIONAL SNAP ON COVER LENS: CLEAR POLYCARBONATE UL94HB
- 2) WIRE TRAP TERMINALS: COPPER ALLOY
  - a. FINISH: 2.50 MICRONS (100 μ in.) SILVER OVER 1.25 MICRONS (50 μ in.) NICKEL
- 3) THIS PRODUCT IS ELV AND ROHS COMPLIANT
- 4) APPLICABLE WIRE GAUGE - 18 OR 20 AWG
  - a. SOLID WIRE IS RECOMMENDED
  - b. IF STRANDED WIRE IS USED, PRE-TINNED IS RECOMMENDED
  - c. 1 cm STRIP LENGTH RECOMMENDED
- 5) MOUNT HOLDER USING M3 OR 4-40 SCREWS (2), 0.8 NEWTON METERS MAX TORQUE
- 6) CONTACT AREA OF TEMINAL HAS AN ENVIRONMENTAL BARRIER/LUBRICANT FOR CORROSION RESISTANCE
- 7) UL RECOGNIZED TO UL 496
- 8) c-UL RECOGNIZED TO CSA-22.2 No. 43 (2008)
- 9) RATED 600V
- 10) UL FILE NUMBER E345583

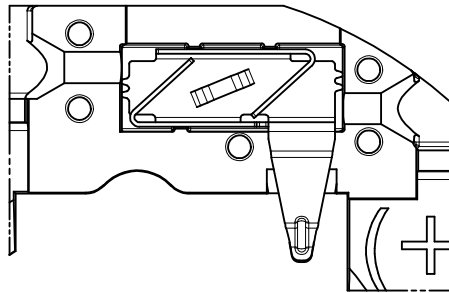
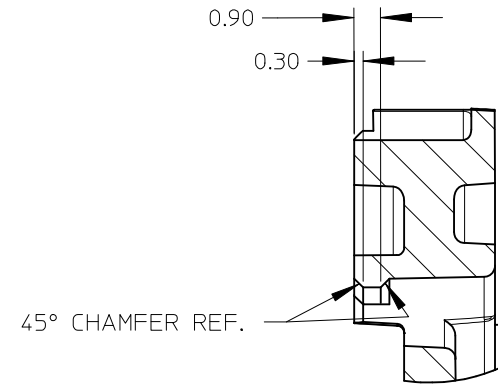
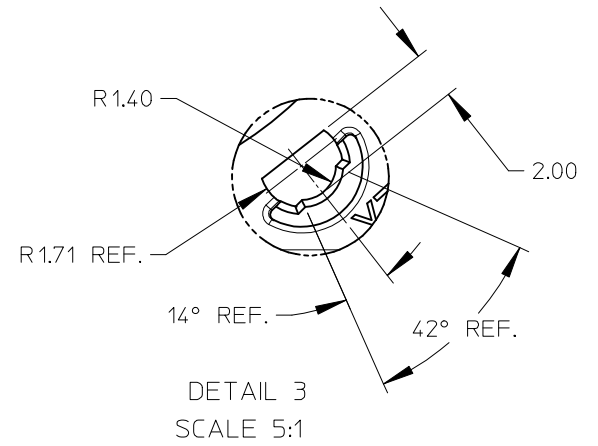
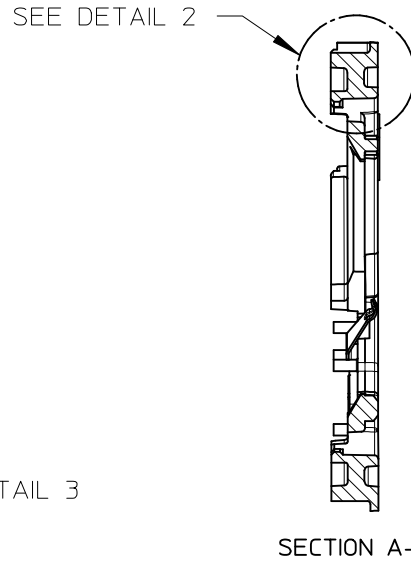
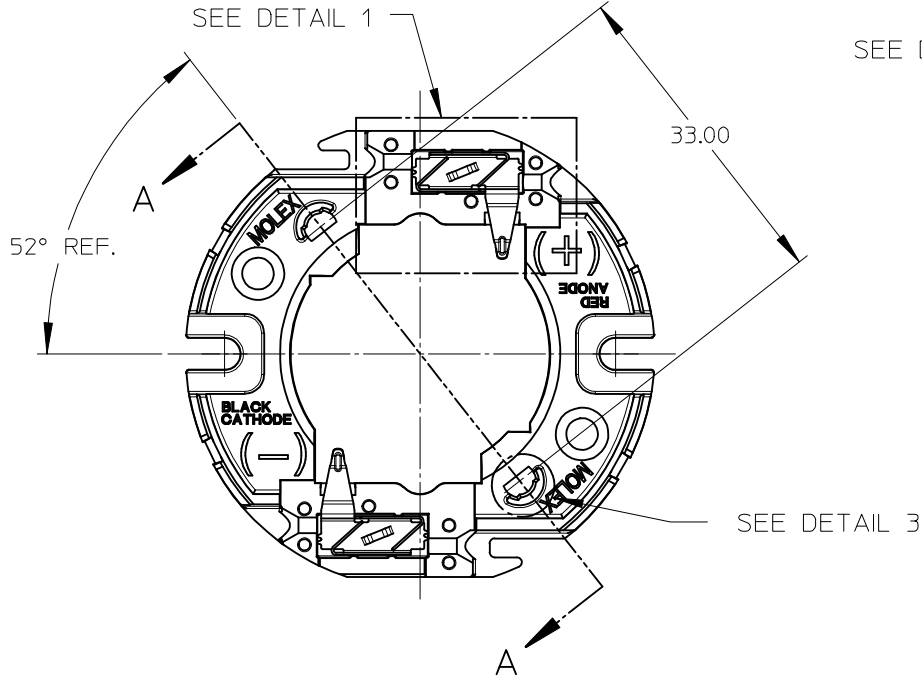


M3 OR 4-40 TAPPED HOLES (2)  
TORQUE SCREWS 0.8 NEWTON METERS MAX

RECOMMENDED MOUNTING DIMENSIONS (NTS)

<b>ENTER DESCRIPTION</b> EC NO: SSL2011-0088 DRAWN: CCARRANZA 2011/05/31 CHKD: APPR: DMCGOWAN 2011/05/31 <b>A4</b>	<b>QUALITY SYMBOLS</b> ▽/0 ▽/0 ▽/0	<b>GENERAL TOLERANCES (UNLESS SPECIFIED)</b>		<b>DIMENSION STYLE</b> <b>MM ONLY</b>		<b>SCALE</b> 2:1	<b>DESIGN UNITS</b> METRIC	THIRD ANGLE PROJECTION			
		4 PLACES ± --- ± --- 3 PLACES ± --- ± --- 2 PLACES ± 0.13 ± --- 1 PLACE ± 0.25 ± ---	mm INCH	DRAWN BY CCARRANZA	DATE 2010/08/24	<b>TITLE</b> LED HOLDER FOR BRIDGELUX ES ARRAY					
		ANGULAR ±1/2°		CHECKED BY	DATE	<b>MOLEX INCORPORATED</b>					
		DRAFT WHERE APPLICABLE MUST REMAIN WITHIN DIMENSIONS		<b>SEE CHART</b>		APPROVED BY DMCGOWAN	DATE 2010/10/12	DOCUMENT NO. SD-180150-000	SHEET NO. 1 OF 4		

WIRE TRAP CAPS ARE REMOVED FROM FRONT VIEW FOR CLARITY



VIEW OF TWO-WAY WIRE TRAP

WIRE TRAPS WILL ACCOMODATE  
EITHER 18 OR 20 GAUGE WIRE

DETAIL 1 SCALE 4:1

<b>ENTER DESCRIPTION</b> EC NO: SSL2011-0088 DRAWN: CCARRANZA 2011/05/31 CHKD: APPR: DMCGOWAN 2011/05/31 A4	<b>QUALITY SYMBOLS</b> ▽=0 ▽=0 ▽=0	<b>GENERAL TOLERANCES (UNLESS SPECIFIED)</b>		<b>DIMENSION STYLE</b> MM ONLY		SCALE 2:1	DESIGN UNITS METRIC	THIRD ANGLE PROJECTION		
		4 PLACES	± ---	± ---	DRAWN BY	DATE	TITLE			
		3 PLACES	± ---	± ---	CCARRANZA	2010/08/24	LED HOLDER FOR BRIDGELUX ES ARRAY			
		2 PLACES	± 0.13	± ---	CHECKED BY	DATE				
1 PLACE	± 0.25	± ---	APPROVED BY	DATE	MOLEX INCORPORATED					
ANGULAR ±1/2°		DRAFT WHERE APPLICABLE MUST REMAIN WITHIN DIMENSIONS		MATERIAL NO. SEE CHART		DOCUMENT NO. SD-180150-000		SHEET NO. 2 OF 4		
THIS DRAWING CONTAINS INFORMATION THAT IS PROPRIETARY TO MOLEX INCORPORATED AND SHOULD NOT BE USED WITHOUT WRITTEN PERMISSION										

10 9 8 7 6 5 4 3 2 1

F

E

D

C

B

A

F

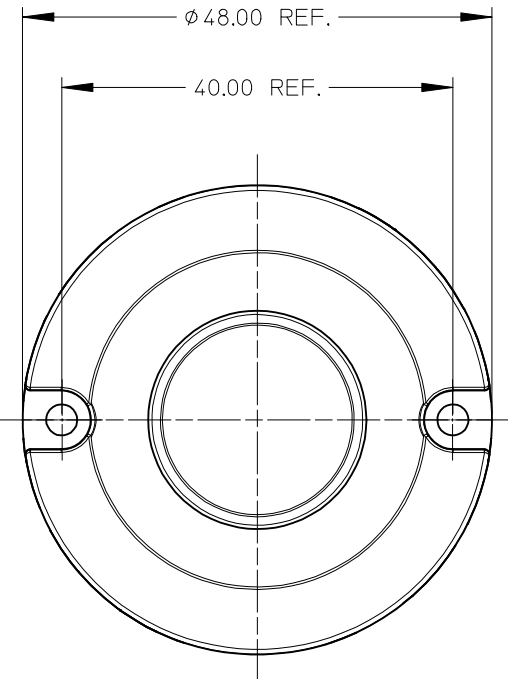
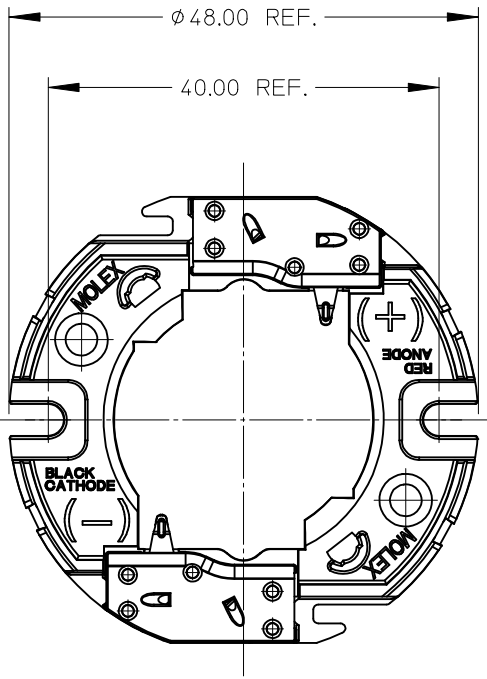
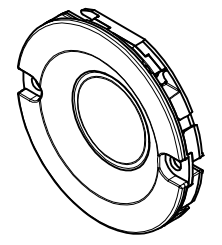
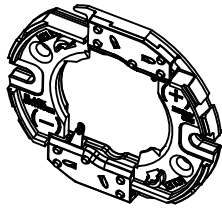
E

D

C

B

A



LED HOLDER PART NUMBER 180150-0000

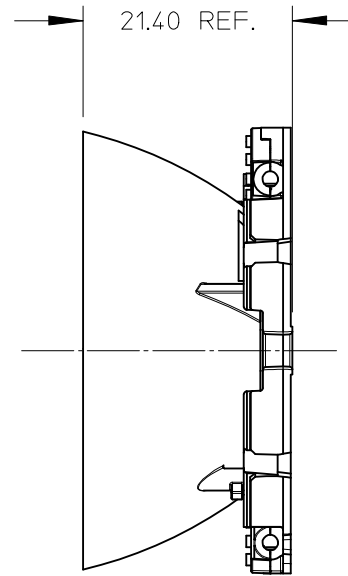
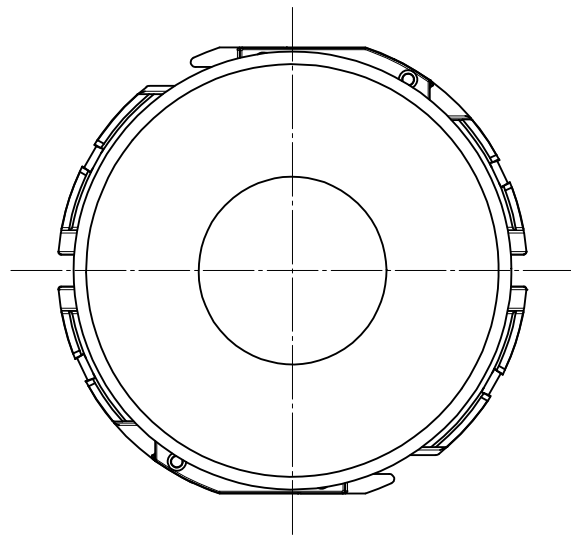
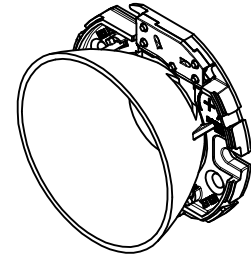
LED HOLDER SHOWN WITH OPTIONAL CLEAR COVER LENS  
MOLEX INDIVIDUAL COVER LENS PART NUMBER IS 180152-0000

<b>ENTER DESCRIPTION</b> EC NO: SSL2011-0088 DRAWN: CCARRANZA 2011/05/31 CHKD: APPR: DMCGOWAN 2011/05/31 REV <b>A4</b>	QUALITY SYMBOLS ▽=0 ▽=0 ▽=0	GENERAL TOLERANCES (UNLESS SPECIFIED) <table border="1"> <tr> <th></th> <th>mm</th> <th>INCH</th> </tr> <tr> <td>4 PLACES</td> <td>±---</td> <td>±---</td> </tr> <tr> <td>3 PLACES</td> <td>±---</td> <td>±---</td> </tr> <tr> <td>2 PLACES</td> <td>±0.13</td> <td>±---</td> </tr> <tr> <td>1 PLACE</td> <td>±0.25</td> <td>±---</td> </tr> <tr> <td colspan="3">ANGULAR ±1/2°</td> </tr> </table>		mm	INCH	4 PLACES	±---	±---	3 PLACES	±---	±---	2 PLACES	±0.13	±---	1 PLACE	±0.25	±---	ANGULAR ±1/2°			DIMENSION STYLE <b>MM ONLY</b>	SCALE <b>2:1</b>	DESIGN UNITS <b>METRIC</b>	THIRD ANGLE PROJECTION
		mm	INCH																					
	4 PLACES	±---	±---																					
	3 PLACES	±---	±---																					
2 PLACES	±0.13	±---																						
1 PLACE	±0.25	±---																						
ANGULAR ±1/2°																								
DRAWN BY CCARRANZA	DATE 2010/08/24	TITLE <b>LED HOLDER FOR BRIDGELUX ES ARRAY</b>																						
CHECKED BY	DATE	APPROVED BY DMCGOWAN	DATE 2010/10/12	Molex <b>MOLEX INCORPORATED</b>																				
MATERIAL NO.	SEE CHART	DOCUMENT NO. <b>SD-180150-000</b>	SHEET NO. <b>3 OF 4</b>	THIS DRAWING CONTAINS INFORMATION THAT IS PROPRIETARY TO MOLEX INCORPORATED AND SHOULD NOT BE USED WITHOUT WRITTEN PERMISSION																				

9 8 7 6 5 4 3 2 1

10 9 8 7 6 5 4 3 2 1

SHOWN WITH OPTIONAL REFLECTOR  
 SOLD SEPARATELY BY LEDIL @ www.ledil.com



ENTER DESCRIPTION EC NO: SSL2011-0088 DRAWN: CCARRANZA 2011/05/31 CHKD: APPR: DMCGOWAN 2011/05/31 REV <b>A4</b>	QUALITY SYMBOLS F/0 F/0 F/0	GENERAL TOLERANCES (UNLESS SPECIFIED) mm INCH 4 PLACES ± --- ± --- 3 PLACES ± --- ± --- 2 PLACES ± 0.13 ± --- 1 PLACE ± 0.25 ± --- ANGULAR ± 1/2°	DIMENSION STYLE <b>MM ONLY</b> DRAWN BY DATE CCARRANZA 2010/08/24 CHECKED BY DATE	SCALE <b>4:1</b> TITLE <b>LED HOLDER FOR BRIDGELUX ES ARRAY</b>	DESIGN UNITS <b>METRIC</b> THIRD ANGLE PROJECTION
	DRAFT WHERE APPLICABLE MUST REMAIN WITHIN DIMENSIONS		APPROVED BY DATE DMCGOWAN 2010/10/12	MOLEX INCORPORATED DOCUMENT NO. <b>SD-180150-000</b>	SHEET NO. <b>4 OF 4</b>
	SEE CHART		THIS DRAWING CONTAINS INFORMATION THAT IS PROPRIETARY TO MOLEX INCORPORATED AND SHOULD NOT BE USED WITHOUT WRITTEN PERMISSION		
	SIZE <b>B</b>				

9 8 7 6 5 4 3 2 1