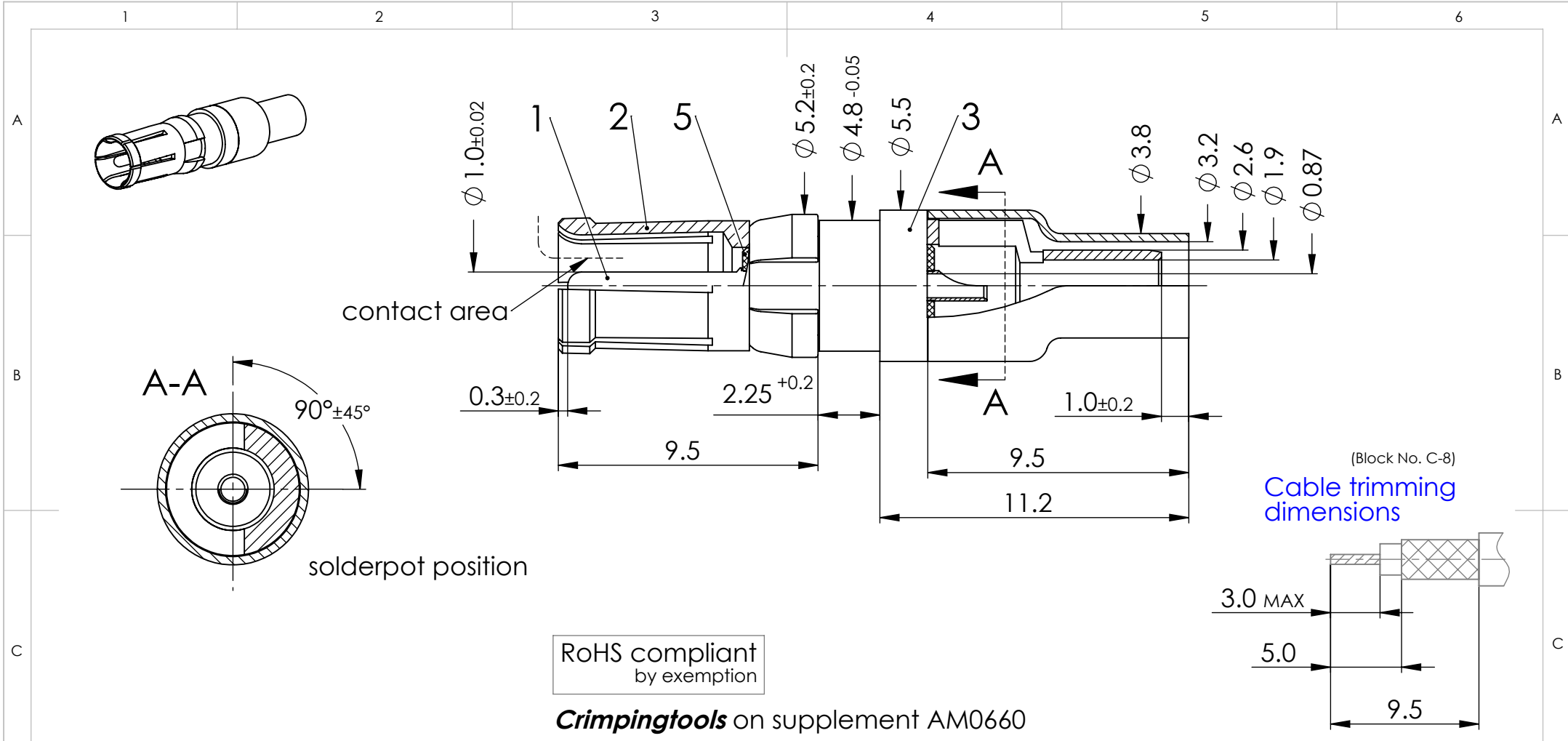


COMMENT:
 ALL RIGHTS ARE RESERVED BY US FOR THIS DRAWING. WITHOUT OUR PRIOR CONSENT,
 IT MAY NEITHER BE DUPLICATED NOR MADE AVAILABLE TO A THIRD PARTY,
 AND IT ALSO MAY NOT BE IMPROPERLY USED BY THE RECEIVER, OR A THIRD PARTY.



RoHS compliant
 by exemption

Crimpingtools on supplement AM0660

Material-No.	Surface + Finish
1731120630	101
1727040133	102
-	111
1731140033	128
-	181
1731121743	202

SYMBOLS										THIS DRAWING CONTAINS INFORMATION THAT IS PROPRIETARY TO MOLEX ELECTRONIC TECHNOLOGIES, LLC AND SHOULD NOT BE USED WITHOUT WRITTEN PERMISSION									
DIMENSION UNITS		SCALE		FOR		CABLE				 FCT Coaxial Contact									
mm		5:1		D-Sub		RG174U, RG188AU, RG316U													
UNLESS OTHERWISE SPECIFIED DIMENSIONS FOR REFERENCE ONLY		CURRENT REVISION		DRWN: DRAWN BY		FVetter		29-08-2019		PRODUCT CUSTOMER DRAWING									
MATERIAL + FINISH SEE EXTRA SHEET		APPR: APPR BY		MTeubel		31-10-2019													
3		24160		INITIAL REVISION		DRWN: DRAWN BY		ffuhrmann		07-07-2006		see table							
REV.		CH.-NO.		APPR: APPR BY		msteinbrueck		07-07-2006											
REPLACEMENT FOR:		THIRD ANGLE PROJECTION		DRAWING		IMPEDANCE		DOCUMENT NUMBER		CUSTOMER		SHEET NUMBER							
				A4-SIZE		50 Ohm		FMX006S		GENERAL MARKET		1 OF 1							