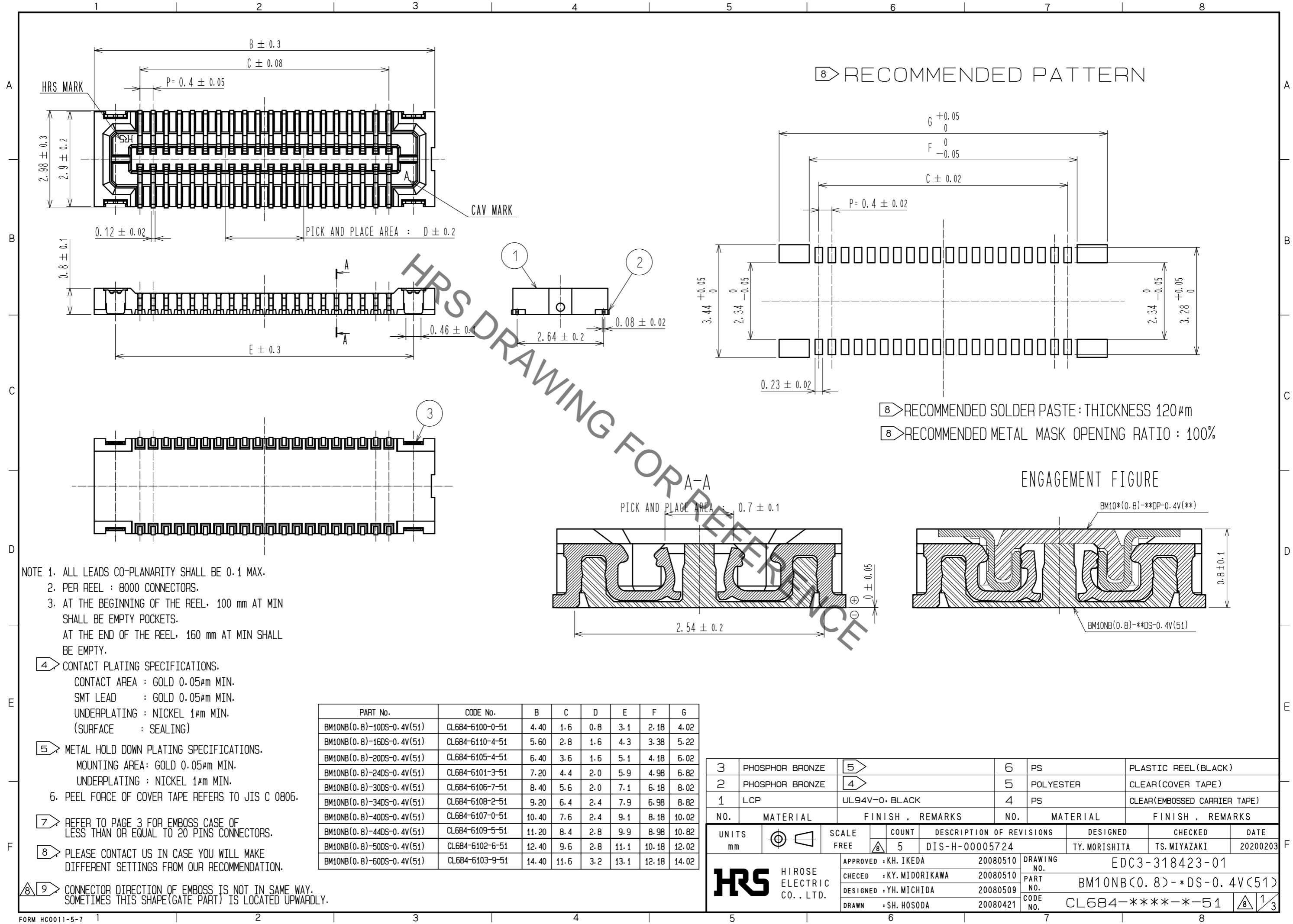


May.1.2023 Copyright 2023 HIROSE ELECTRIC CO., LTD. All Rights Reserved.
In case of consideration for using Automotive equipment / device which demand high reliability, kindly contact our sales window correspondents.



NOTE 1. ALL LEADS CO-PLANARITY SHALL BE 0.1 MAX.
 2. PER REEL : 8000 CONNECTORS.
 3. AT THE BEGINNING OF THE REEL, 100 mm AT MIN SHALL BE EMPTY POCKETS.
 AT THE END OF THE REEL, 160 mm AT MIN SHALL BE EMPTY.

4 CONTACT PLATING SPECIFICATIONS.
 CONTACT AREA : GOLD 0.05μm MIN.
 SMT LEAD : GOLD 0.05μm MIN.
 UNDERPLATING : NICKEL 1μm MIN.
 (SURFACE : SEALING)

5 METAL HOLD DOWN PLATING SPECIFICATIONS.
 MOUNTING AREA: GOLD 0.05μm MIN.
 UNDERPLATING : NICKEL 1μm MIN.
 6. PEEL FORCE OF COVER TAPE REFERS TO JIS C 0806.

7 REFER TO PAGE 3 FOR EMBOSS CASE OF LESS THAN OR EQUAL TO 20 PINS CONNECTORS.

8 PLEASE CONTACT US IN CASE YOU WILL MAKE DIFFERENT SETTINGS FROM OUR RECOMMENDATION.

9 CONNECTOR DIRECTION OF EMBOSS IS NOT IN SAME WAY. SOMETIMES THIS SHAPE(GATE PART) IS LOCATED UPWARDLY.

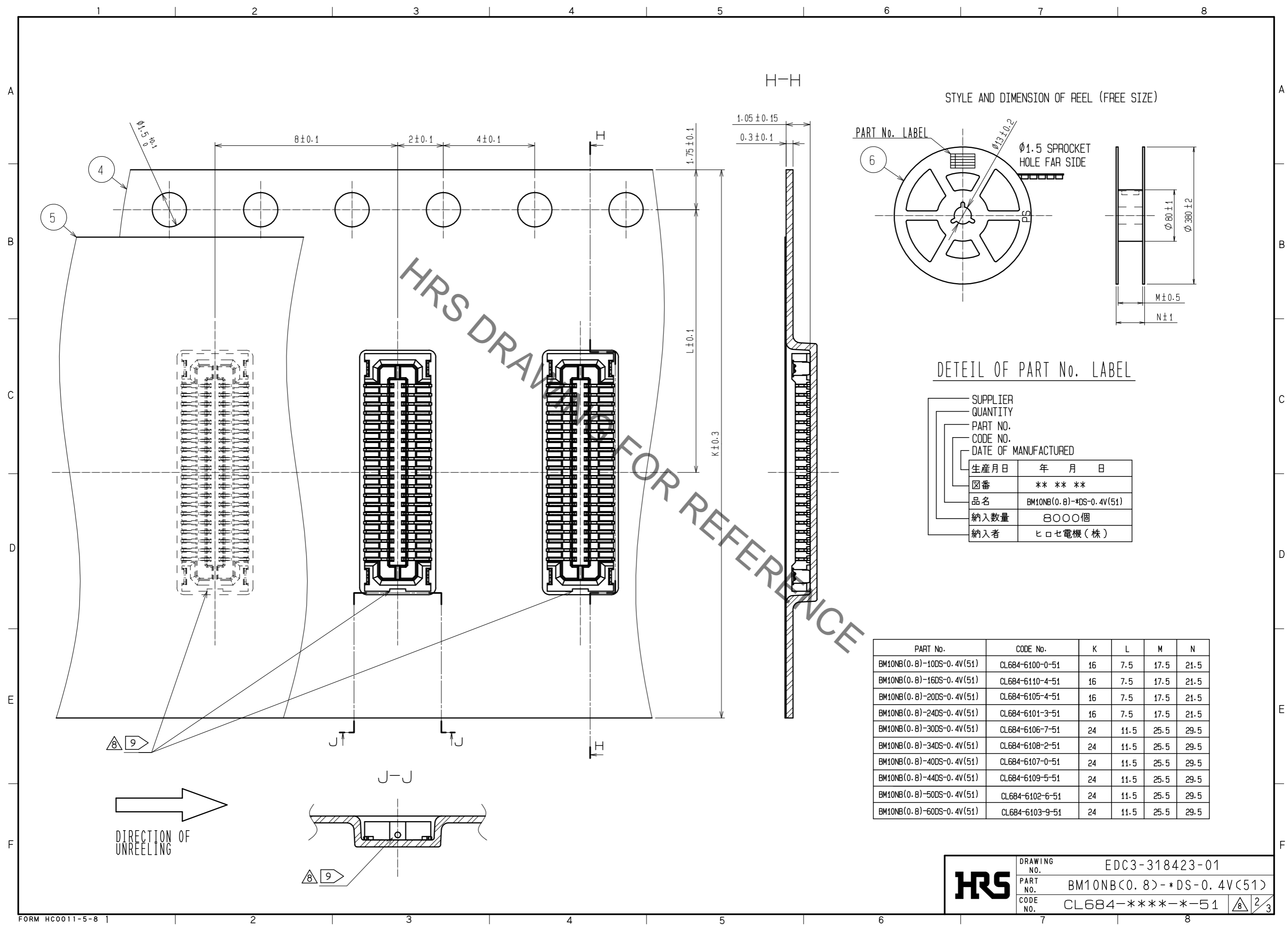
PART No.	CODE No.	B	C	D	E	F	G
BM10NB(0.8)-10DS-0.4V(51)	CL684-6100-0-51	4.40	1.6	0.8	3.1	2.18	4.02
BM10NB(0.8)-16DS-0.4V(51)	CL684-6110-4-51	5.60	2.8	1.6	4.3	3.38	5.22
BM10NB(0.8)-20DS-0.4V(51)	CL684-6105-4-51	6.40	3.6	1.6	5.1	4.18	6.02
BM10NB(0.8)-24DS-0.4V(51)	CL684-6101-3-51	7.20	4.4	2.0	5.9	4.98	6.82
BM10NB(0.8)-30DS-0.4V(51)	CL684-6106-7-51	8.40	5.6	2.0	7.1	6.18	8.02
BM10NB(0.8)-34DS-0.4V(51)	CL684-6108-2-51	9.20	6.4	2.4	7.9	6.98	8.82
BM10NB(0.8)-40DS-0.4V(51)	CL684-6107-0-51	10.40	7.6	2.4	9.1	8.18	10.02
BM10NB(0.8)-44DS-0.4V(51)	CL684-6109-5-51	11.20	8.4	2.8	9.9	8.98	10.82
BM10NB(0.8)-50DS-0.4V(51)	CL684-6102-6-51	12.40	9.6	2.8	11.1	10.18	12.02
BM10NB(0.8)-60DS-0.4V(51)	CL684-6103-9-51	14.40	11.6	3.2	13.1	12.18	14.02

NO.	MATERIAL	FINISH .	REMARKS	NO.	MATERIAL	FINISH .	REMARKS
3	PHOSPHOR BRONZE	5		6	PS		PLASTIC REEL (BLACK)
2	PHOSPHOR BRONZE	4		5	POLYESTER		CLEAR(COVER TAPE)
1	LCP		UL94V-0. BLACK	4	PS		CLEAR(EMBOSSED CARRIER TAPE)

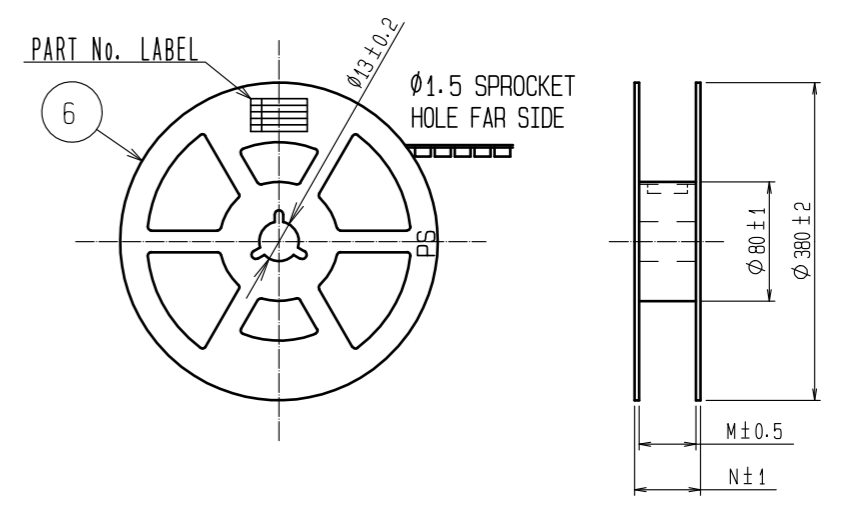
UNITS	SCALE	COUNT	DESCRIPTION OF REVISIONS	DESIGNED	CHECKED	DATE
mm	FREE	5	DIS-H-00005724	TY. MORISHITA	TS. MIYAZAKI	20200203

APPROVED	CHECED	DESIGNED	DRAWN	DRAWING NO.	PART NO.	CODE NO.
KH. IKEDA	KY. MIDORIKAWA	YH. MICHIDA	SH. HOSODA	20080510	20080510	20080509
				EDC3-318423-01	BM10NB(0.8)-*DS-0.4V(51)	CL684-***-*-51

May.1.2023 Copyright 2023 HIROSE ELECTRIC CO., LTD. All Rights Reserved.
 In case of consideration for using Automotive equipment / device which demand high reliability, kindly contact our sales window correspondents.



STYLE AND DIMENSION OF REEL (FREE SIZE)



DETAIL OF PART No. LABEL

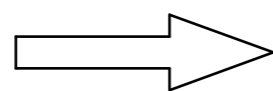
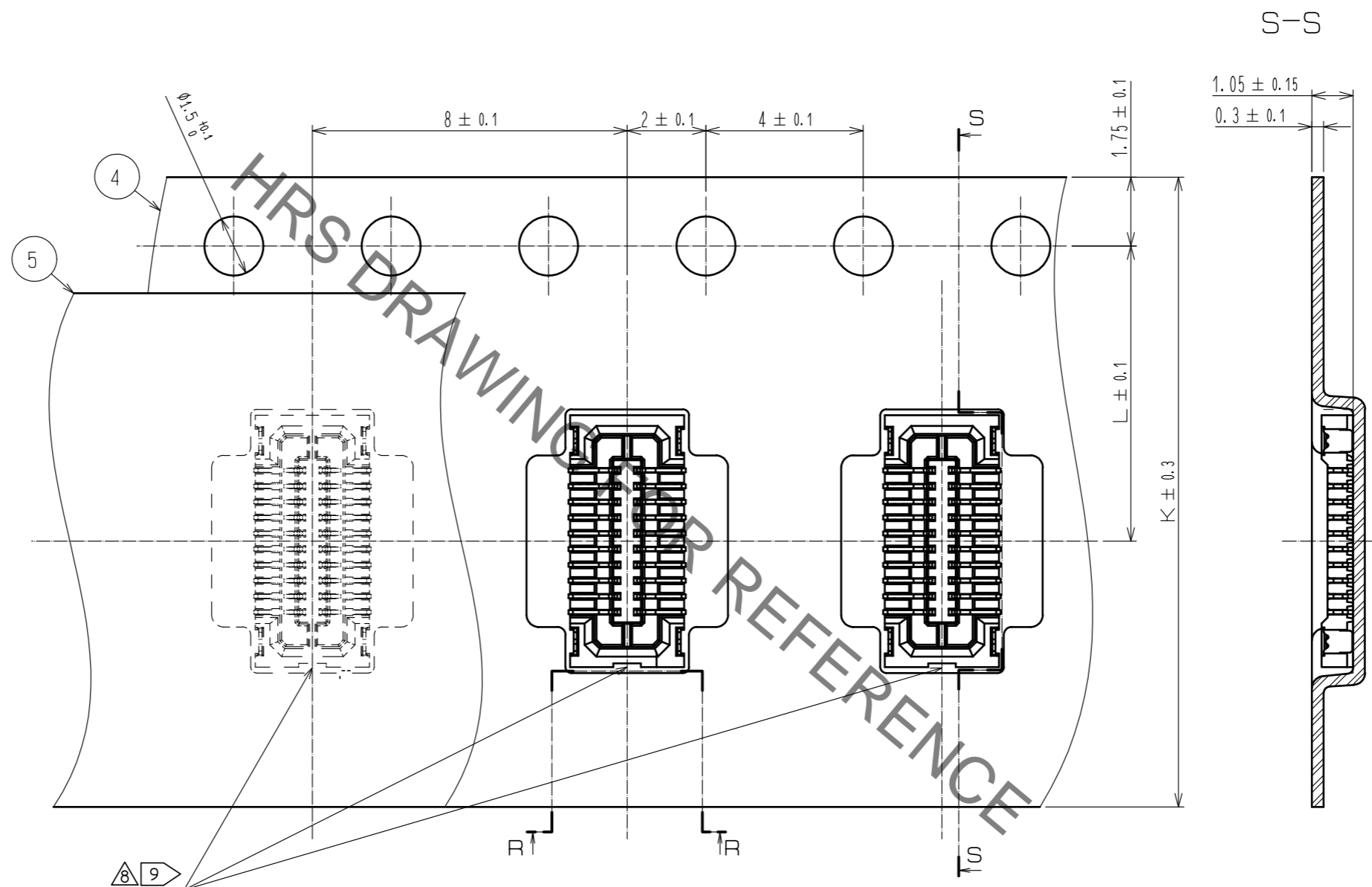
SUPPLIER	HIROSE ELECTRIC CO., LTD.
QUANTITY	8000
PART NO.	BM10NB(0.8)-*DS-0.4V(51)
CODE NO.	CL684-****-*-51
DATE OF MANUFACTURED	生産月日 年 月 日
図番	** ** *
品名	BM10NB(0.8)-*DS-0.4V(51)
納入数量	8000個
納入者	ヒロセ電機(株)

PART No.	CODE No.	K	L	M	N
BM10NB(0.8)-10DS-0.4V(51)	CL684-6100-0-51	16	7.5	17.5	21.5
BM10NB(0.8)-16DS-0.4V(51)	CL684-6110-4-51	16	7.5	17.5	21.5
BM10NB(0.8)-20DS-0.4V(51)	CL684-6105-4-51	16	7.5	17.5	21.5
BM10NB(0.8)-24DS-0.4V(51)	CL684-6101-3-51	16	7.5	17.5	21.5
BM10NB(0.8)-30DS-0.4V(51)	CL684-6106-7-51	24	11.5	25.5	29.5
BM10NB(0.8)-34DS-0.4V(51)	CL684-6108-2-51	24	11.5	25.5	29.5
BM10NB(0.8)-40DS-0.4V(51)	CL684-6107-0-51	24	11.5	25.5	29.5
BM10NB(0.8)-44DS-0.4V(51)	CL684-6109-5-51	24	11.5	25.5	29.5
BM10NB(0.8)-50DS-0.4V(51)	CL684-6102-6-51	24	11.5	25.5	29.5
BM10NB(0.8)-60DS-0.4V(51)	CL684-6103-9-51	24	11.5	25.5	29.5

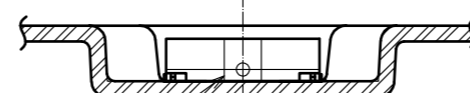
HRS	DRAWING NO.	EDC3-318423-01		
	PART NO.	BM10NB(0.8)-*DS-0.4V(51)		
	CODE NO.	CL684-****-*-51	8	2/3

May.1.2023 Copyright 2023 HIROSE ELECTRIC CO., LTD. All Rights Reserved.
In case of consideration for using Automotive equipment / device which demand high reliability, kindly contact our sales window correspondents.

7 EMBOSS CASE OF LESS THAN OR EQUAL TO 20 PINS CONNECTORS



DIRECTION OF UNREELING



8/9

HRS	DRAWING NO.	EDC3-318423-01
	PART NO.	BM10NB(0.8)-*DS-0.4V(51)
	CODE NO.	CL684-****-*51

8/3