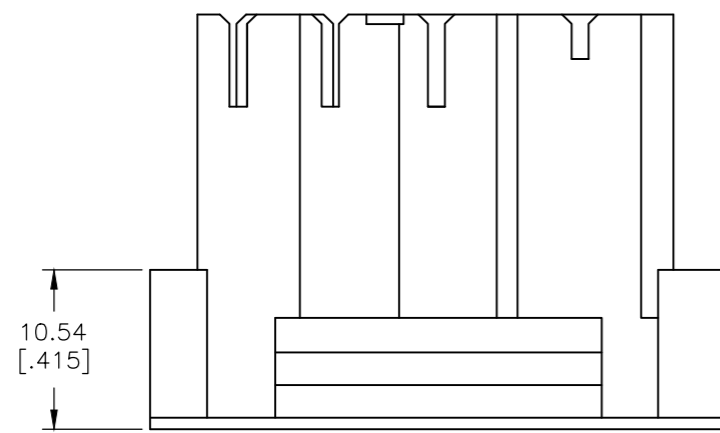
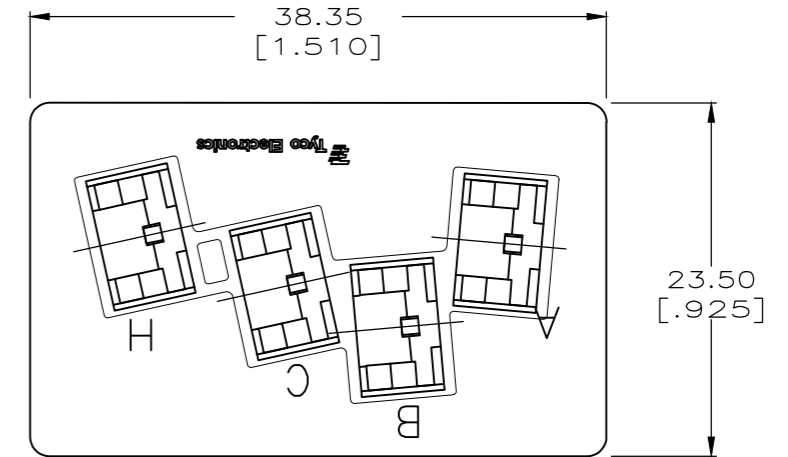
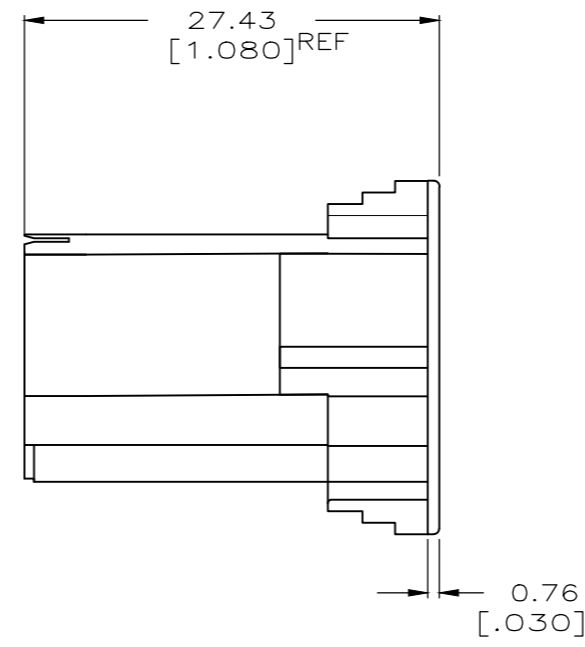
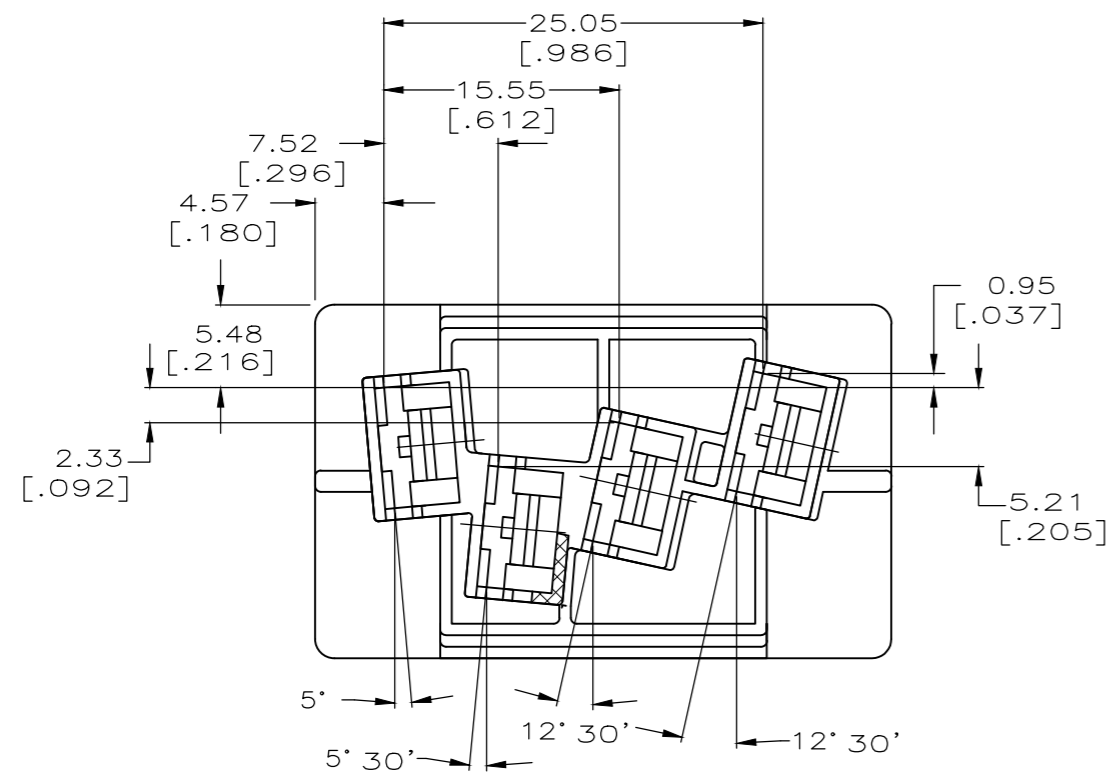


THIS DRAWING IS UNPUBLISHED. RELEASED FOR PUBLICATION  
 © COPYRIGHT - TE Connectivity Ltd. ALL RIGHTS RESERVED.

REVISIONS					
P	LTR	DESCRIPTION	DATE	DWN	APVD
B		REVISED PER ECR-18-006282	23MAY2018	BDA	DS



TYCO ELECTRONICS RECOMMENDATION IS THAT THE MATING TAB MUST BE HELD TO A TOLERANCE OF  $\pm 0.13$  [.005] IN EITHER DIRECTION IN ORDER TO MINIMIZE BOTH THE MAGNITUDE AND VARIATION IN INSERTION FORCE.



MATING TAB

	NATURAL	66 NYLON V0 NATURAL	1969201-2
SUPERSEDED BY 1969201-2	-	66 NYLON, V0	<del>1969201-1</del>
	COLOR	MATERIAL	PART NO.

THIS DRAWING IS A CONTROLLED DOCUMENT.		DWN JR RUTH 05JUN08	TE Connectivity Ltd.	
DIMENSIONS: mm [INCHES]		CHK P DESANTIS 05JUN08	NAME HOUSING, RECPT, FASTON, 6.35 [.250] SERIES	
TOLERANCES UNLESS OTHERWISE SPECIFIED: 0 PLC ± - 1 PLC ± - 2 PLC ± 0.25 [.010] 3 PLC ± - 4 PLC ± - ANGLES ± 1°		APVD P DESANTIS 05JUN08	DRAWING NO A2 00779 C=1969201	
MATERIAL SEE TABLE		FINISH NATURAL	WEIGHT A2 00779 C=1969201	RESTRICTED TO -
		WEIGHT	SCALE 2:1	SHEET 1 of 1
		CUSTOMER DRAWING	REV B	