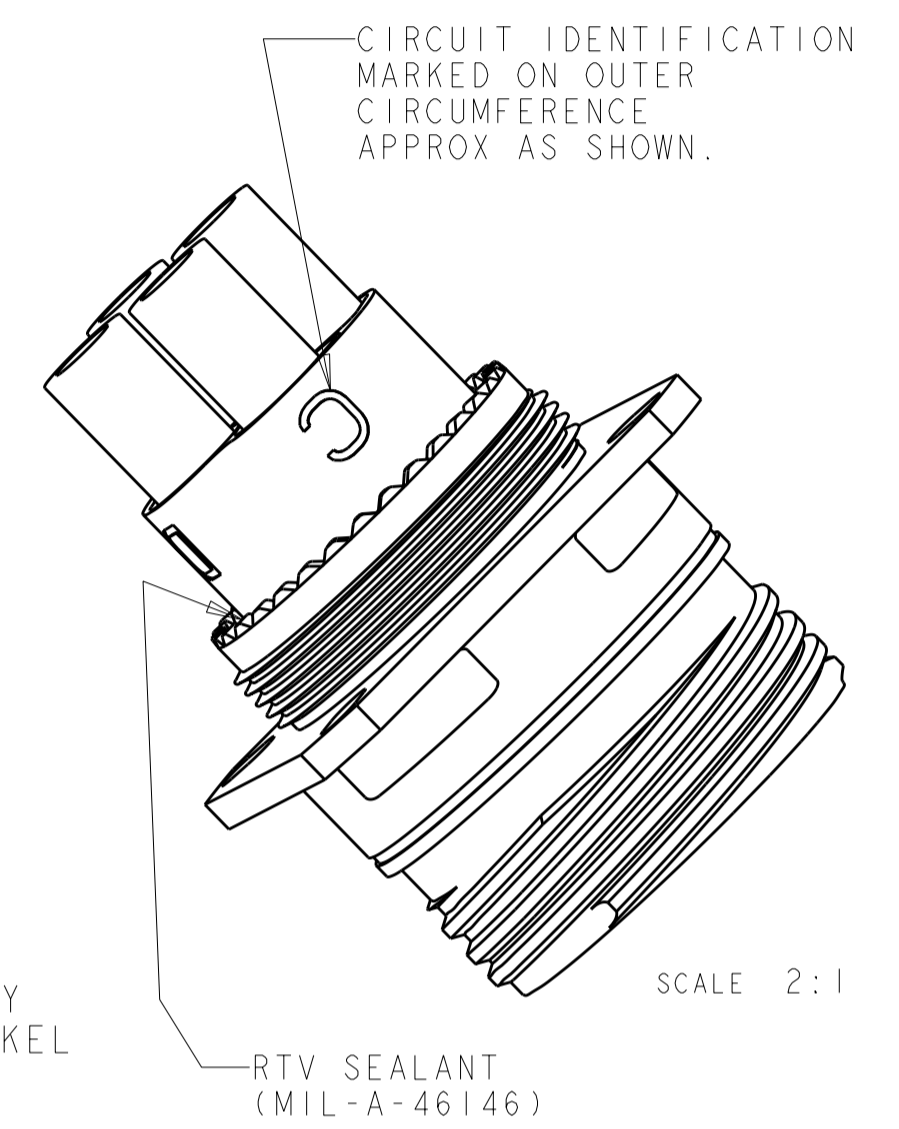
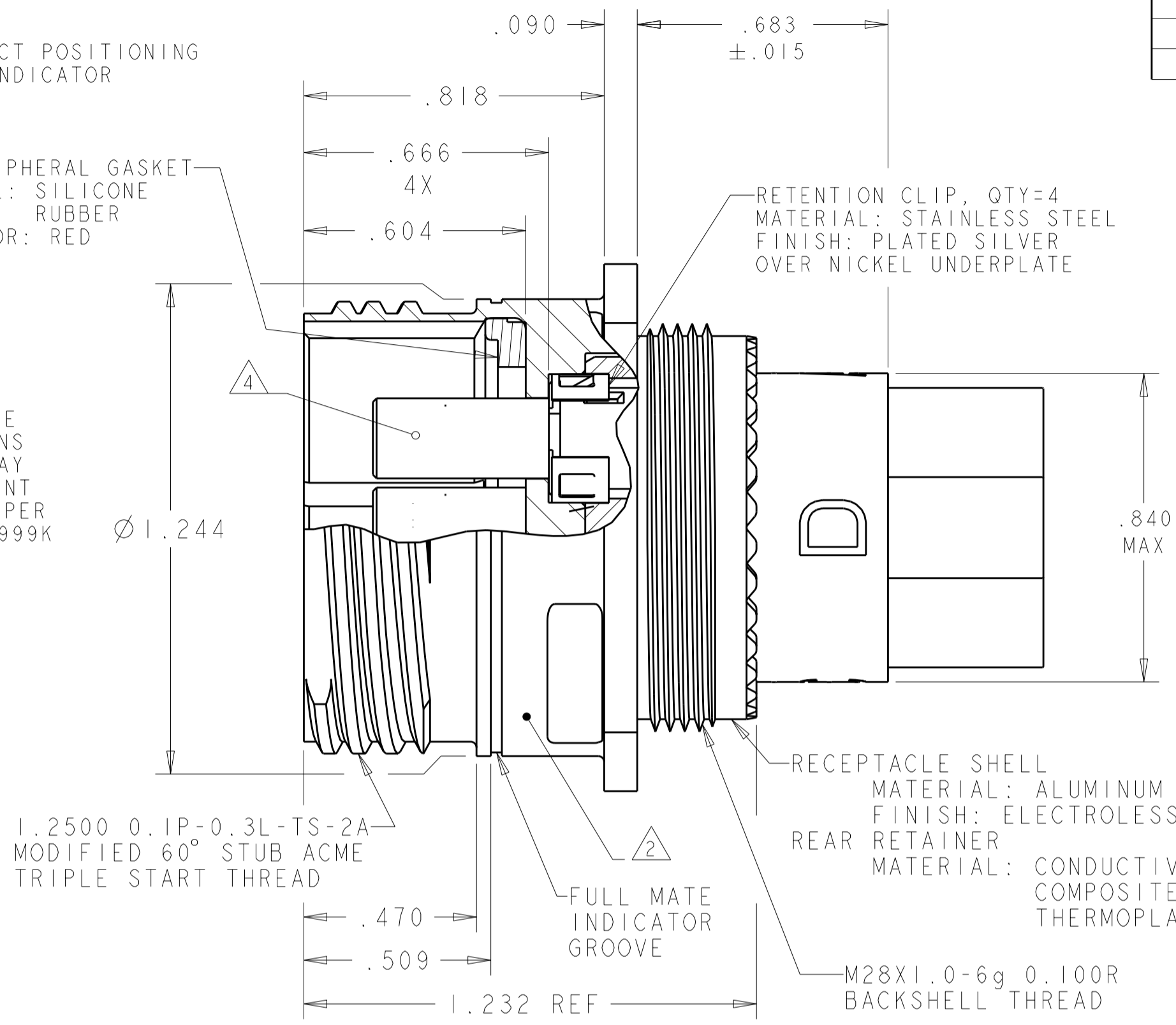
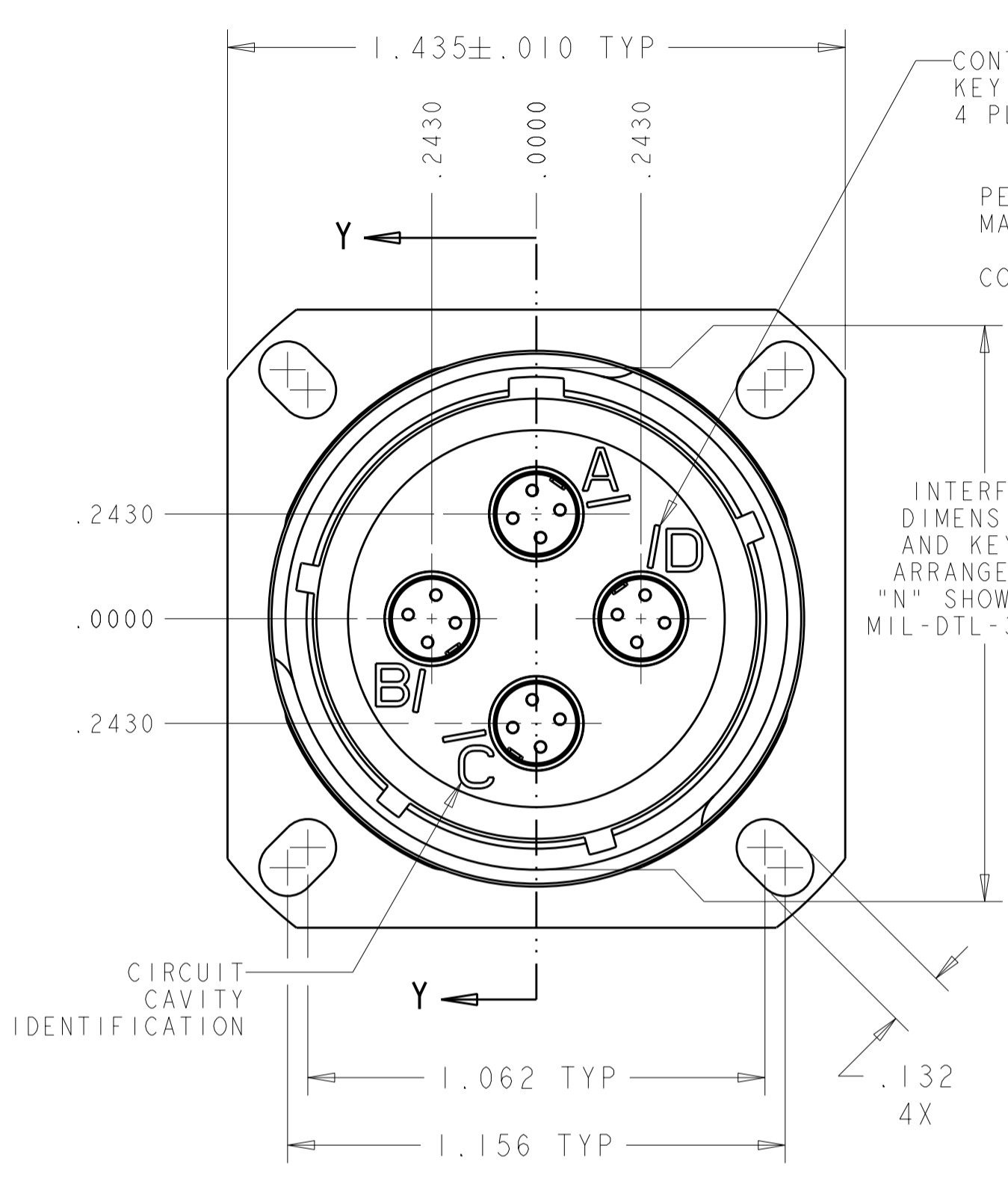


THIS DRAWING IS UNPUBLISHED. RELEASED FOR PUBLICATION 20  
 © COPYRIGHT 20 BY TYCO ELECTRONICS CORPORATION. ALL RIGHTS RESERVED.

LOC	DIST	REVISIONS					
DF	A5	P	LTR	DESCRIPTION	DATE	DWN	APVD
		C		REV PER ECO 10-001527	1-29-10	CT	DM



SECTION Y-Y

1811300-6	27.5	----	MA-CR0001-R19-PB	B	2000517-6
1811300-5	27.5	----	MA-CR0001-R19-PA	A	2000517-5
1811300-4	27.5	----	MA-CR0001-R19-PN	N	2000517-4
1811300-3	43.5	QTY = 4 <sup>4</sup>	MA-CR0001-R19-PB	B	2000517-3
1811300-2	43.5	QTY = 4 <sup>4</sup>	MA-CR0001-R19-PA	A	2000517-2
1811300-1	43.5	QTY = 4 <sup>4</sup>	MA-CR0001-R19-PN	N	2000517-1
SUPERSEDES PART NUMBER	CONNECTOR ASSEMBLY WEIGHT (GRAMS)	QUADRAX CONTACT KIT, WITH SEAL BOOT TYCO PART NUMBER 1445692-3	PANASONIC PART NUMBER	SHELL KEYING ARRANGEMENT	PART NUMBER

- THIS CONNECTOR ACCEPTS TYCO ELECTRONICS QUADRAX PIN ASSEMBLY; PART NUMBER 1445692-3.
- <sup>2</sup> PART IS MARKED WITH CUSTOMER PART NO. (SEE TABLE, TYCO ELECTRONICS LOGO OR TE, TE CAGE CODE (00779) AND DATE CODE.
- TO CALCULATE WEIGHT OF PARTIALLY POPULATED ASSEMBLY:  
 QUADRAX CONTACT WITH SEAL BOOT = 4.0 GRAMS  
 QUADRAX EMPTY CAVITY SEAL PLUG = 2.5 GRAMS  
 CONNECTOR ASSEMBLY, UNPOPULATED = SEE TABLE
- <sup>4</sup> CONTACTS ARE INCLUDED UNASSEMBLED FOR 2000517-1, -2, & -3.
- THE CONNECTOR QUALIFICATION WAS COMPLETED PER TYCO ELECTRONICS 108-2199. QUADRAX CONTACTS ARE QUALIFIED PER 108-2131. REFERENCE TEST REPORTS ARE TYCO ELECTRONICS 501-660 FOR THE CONNECTOR AND 501-574 FOR THE CONTACTS WHICH ARE THE SAME AS ARINC 600-13, DRAFT 2 OF SUPPLEMENT 14 (AIR TRANSPORT AVIONICS EQUIPMENT INTERFACES).

THIS DRAWING IS A CONTROLLED DOCUMENT FOR TYCO ELECTRONICS CORPORATION IT IS SUBJECT TO CHANGE AND THE CONTROLLING ENGINEERING ORGANIZATION SHOULD BE CONTACTED FOR THE LATEST REVISION.

DWN B. YOHN 31 JUL 2007  
 CHK LAWRENCE S. OH 31 JUL 2007  
 APVD LAWRENCE S. OH 31 JUL 2007

PRODUCT SPEC -  
 APPLICATION SPEC -  
 WEIGHT -

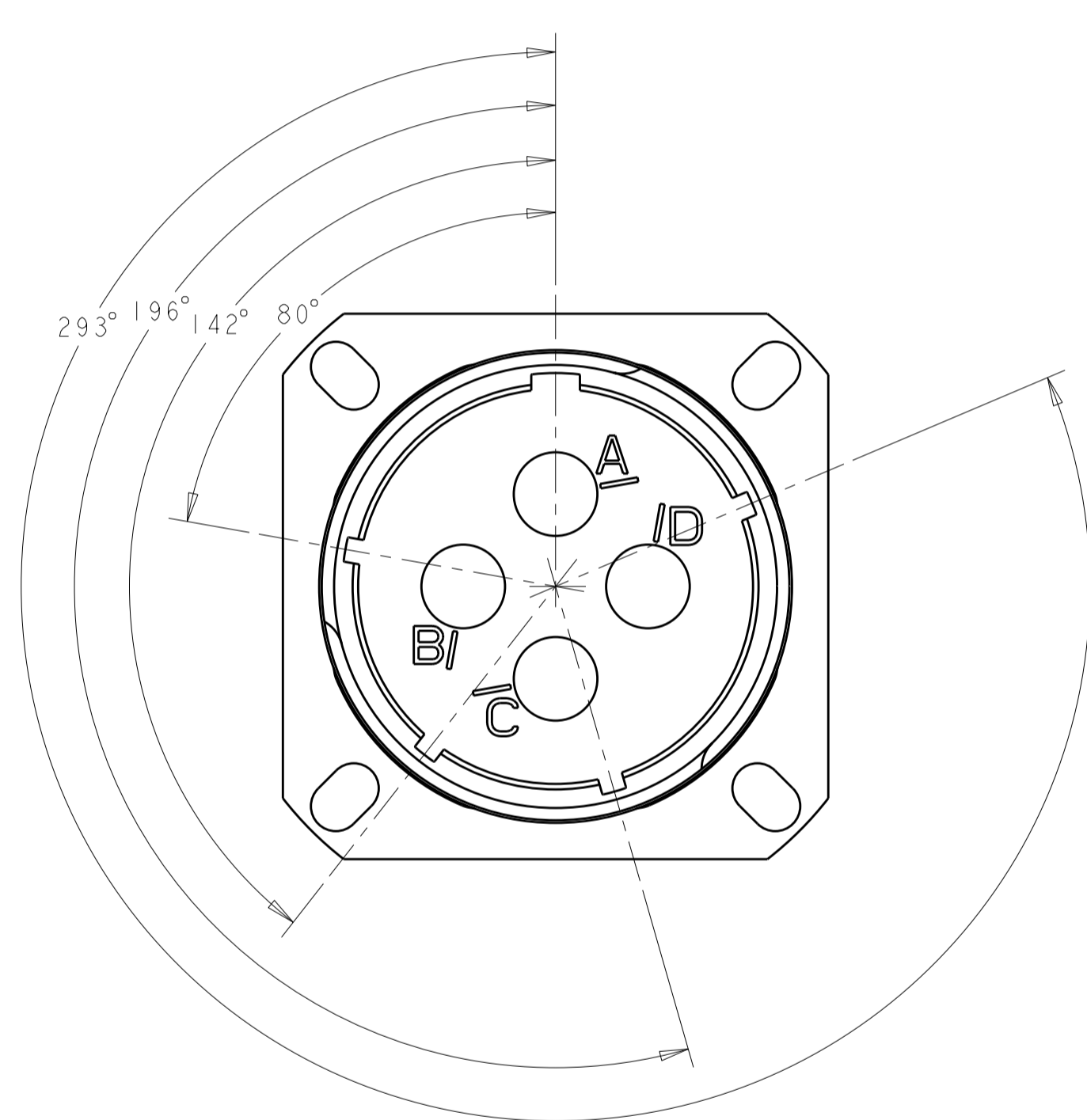
NAME ASSY, RECEPTACLE, SIZE 19, 38999 STYLE, WALL MOUNT FLANGE, WITH 4 QUADRAX CAVITIES, COMPOSITE

SIZE A2 CAGE CODE 00779 DRAWING NO. 2000517 RESTRICTED TO -

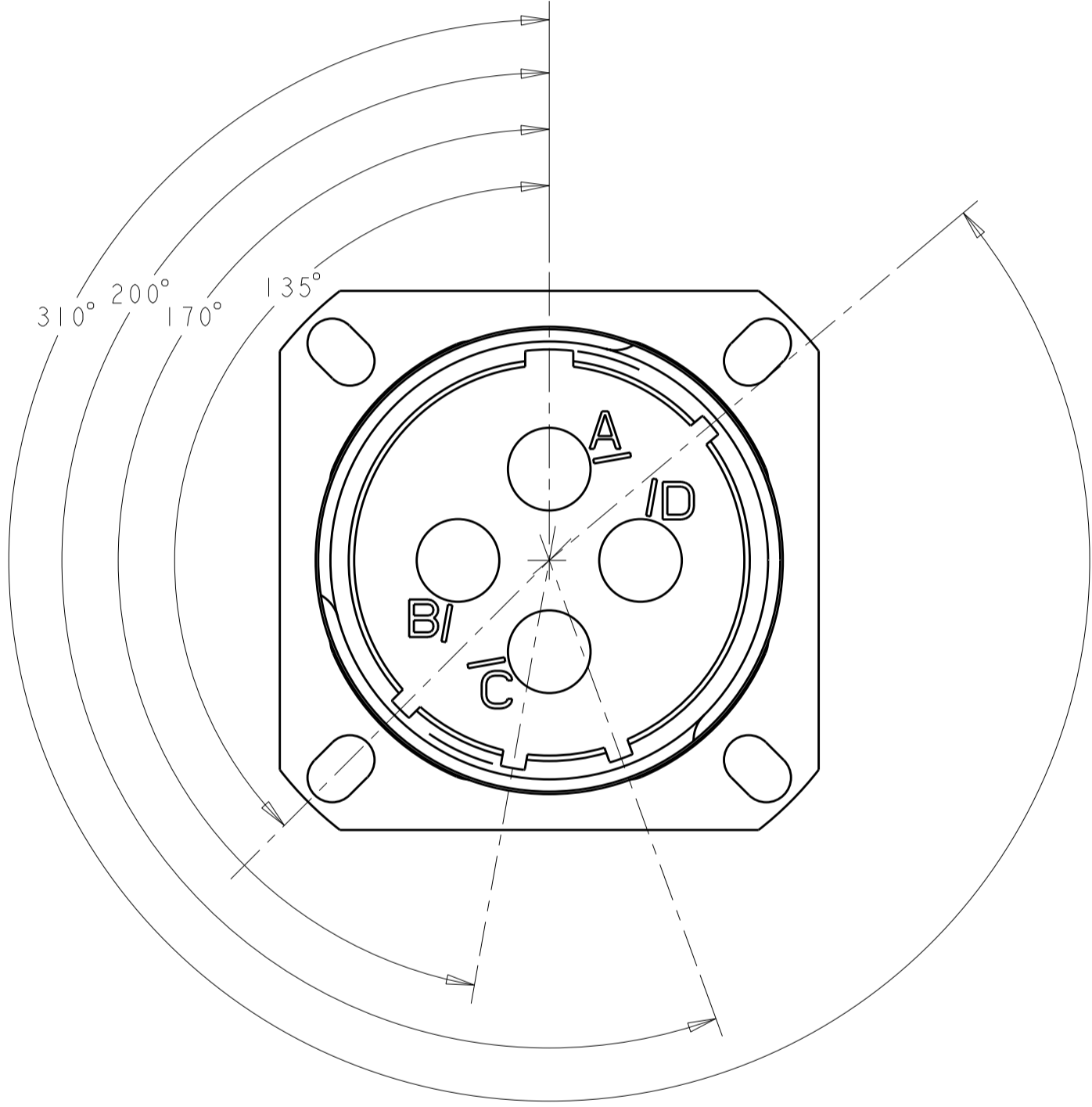
CUSTOMER DRAWING SCALE 3:1 SHEET 1 OF 2 REV C

THIS DRAWING IS UNPUBLISHED. RELEASED FOR PUBLICATION 20  
 © COPYRIGHT 20 BY TYCO ELECTRONICS CORPORATION. ALL RIGHTS RESERVED.

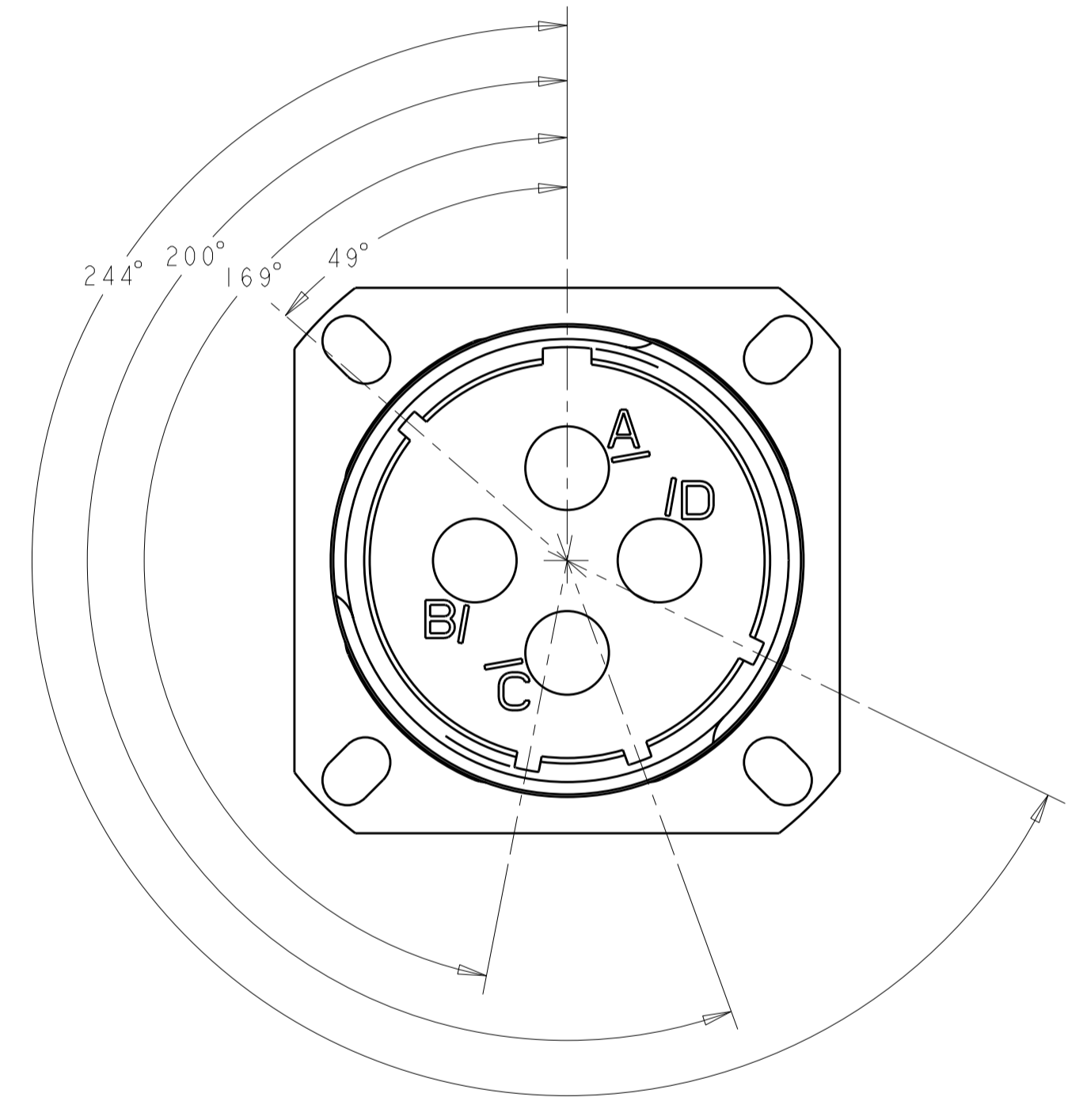
LOC	DIST	REVISIONS					
DF	A5	P	LTR	DESCRIPTION	DATE	DWN	APVD
		-		SEE SHEET 1			



"N" POLARIZATION  
KEYING ARRANGMENT  
2000517-1 AND -4



"A" POLARIZATION  
KEYING ARRANGEMENT  
2000517-2 AND -5



"B" POLARIZATION  
KEYING ARRANGEMENT  
2000517-3 AND -6

<small>THIS DRAWING IS A CONTROLLED DOCUMENT FOR TYCO ELECTRONICS CORPORATION IT IS SUBJECT TO CHANGE AND THE CONTROLLING ENGINEERING ORGANIZATION SHOULD BE CONTACTED FOR THE LATEST REVISION.</small>		DWN B.YOHN 31 JUL 2007 CHK LAWRENCE S. OH 31 JUL 2007 APVD LAWRENCE S. OH 31 JUL 2007	Tyco Electronics Harrisburg, PA 17105-3608
DIMENSIONS: IN 	TOLERANCES UNLESS OTHERWISE SPECIFIED: 0 PLC ±- 1 PLC ±.1 2 PLC ±.01 3 PLC ±.005 4 PLC ±.0020 ANGLES ± FINISH	PRODUCT SPEC - APPLICATION SPEC - WEIGHT -	NAME ASSY, RECEPTACLE, SIZE 19, 38999 STYLE, WALL MOUNT FLANGE, WITH 4 QUADRAX CAVITIES, COMPOSITE SIZE A2 CAGE CODE 00779 DRAWING NO. C-2000517 RESTRICTED TO -
MATERIAL -		CUSTOMER DRAWING	SCALE 3:1 SHEET 2 OF 2 REV C