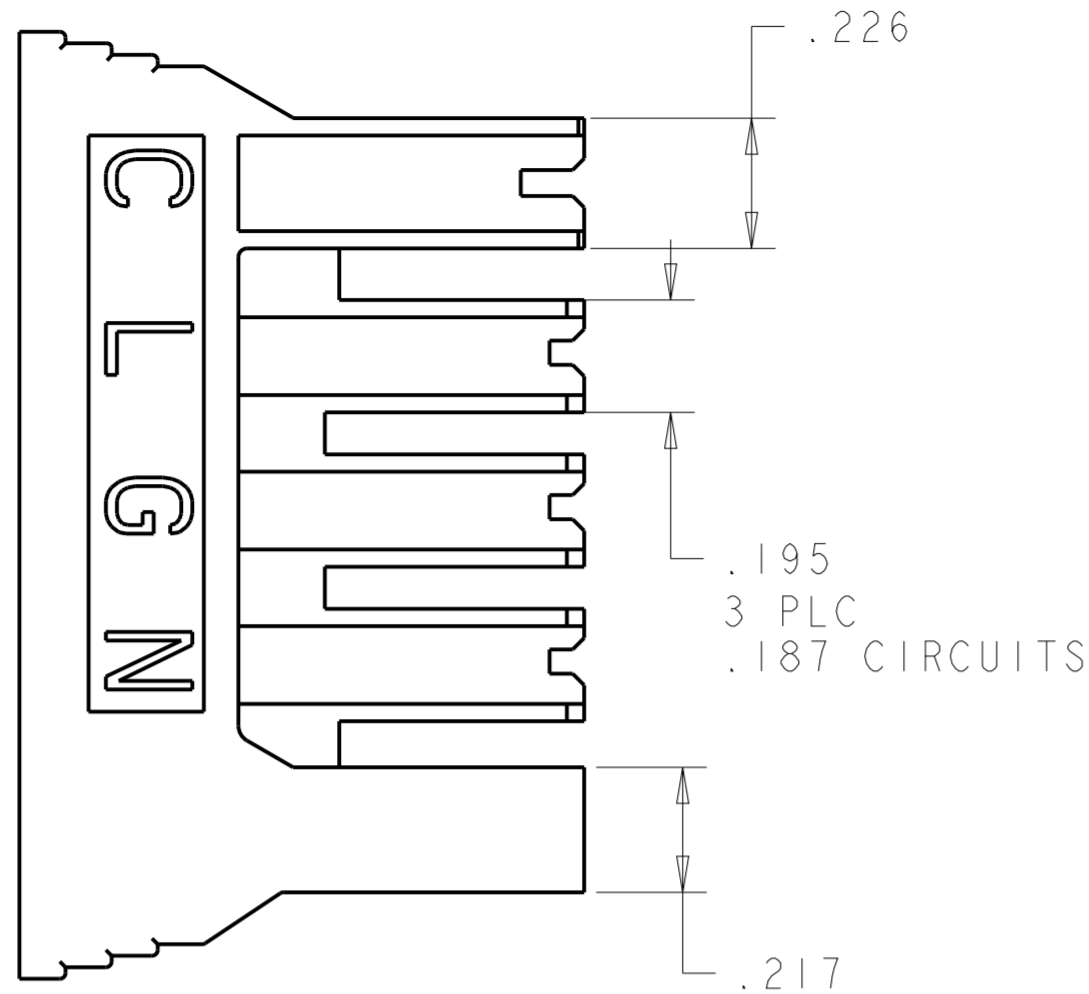
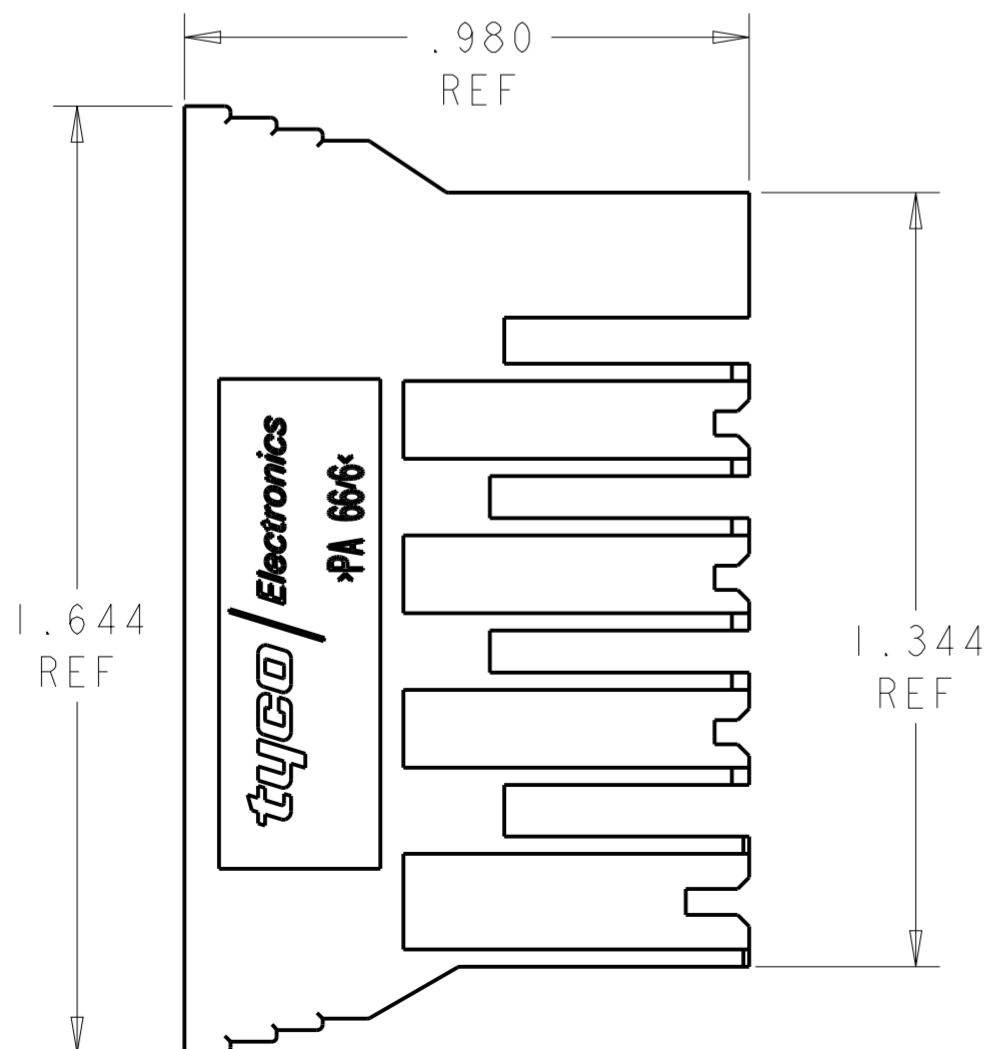
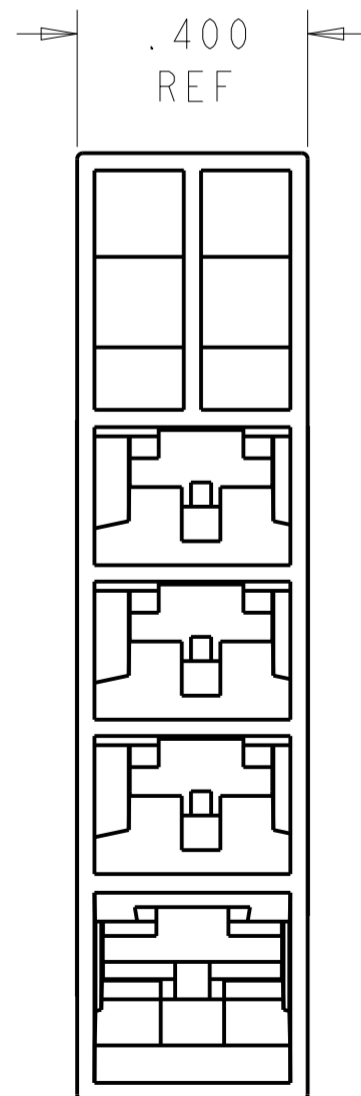
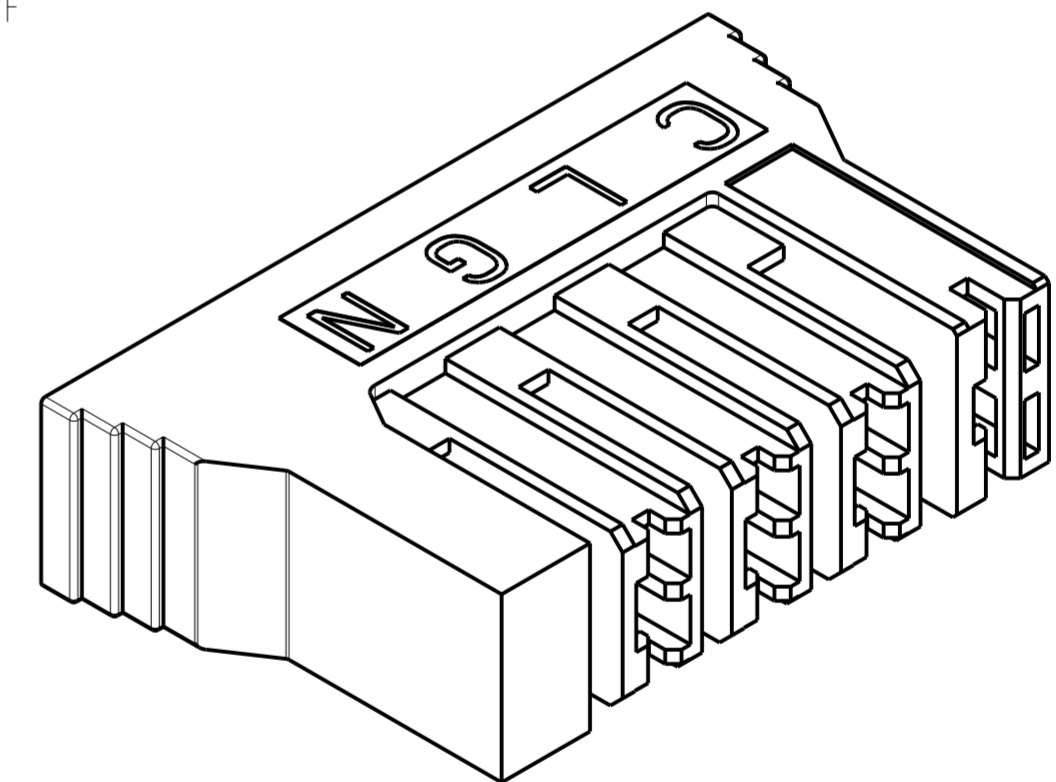
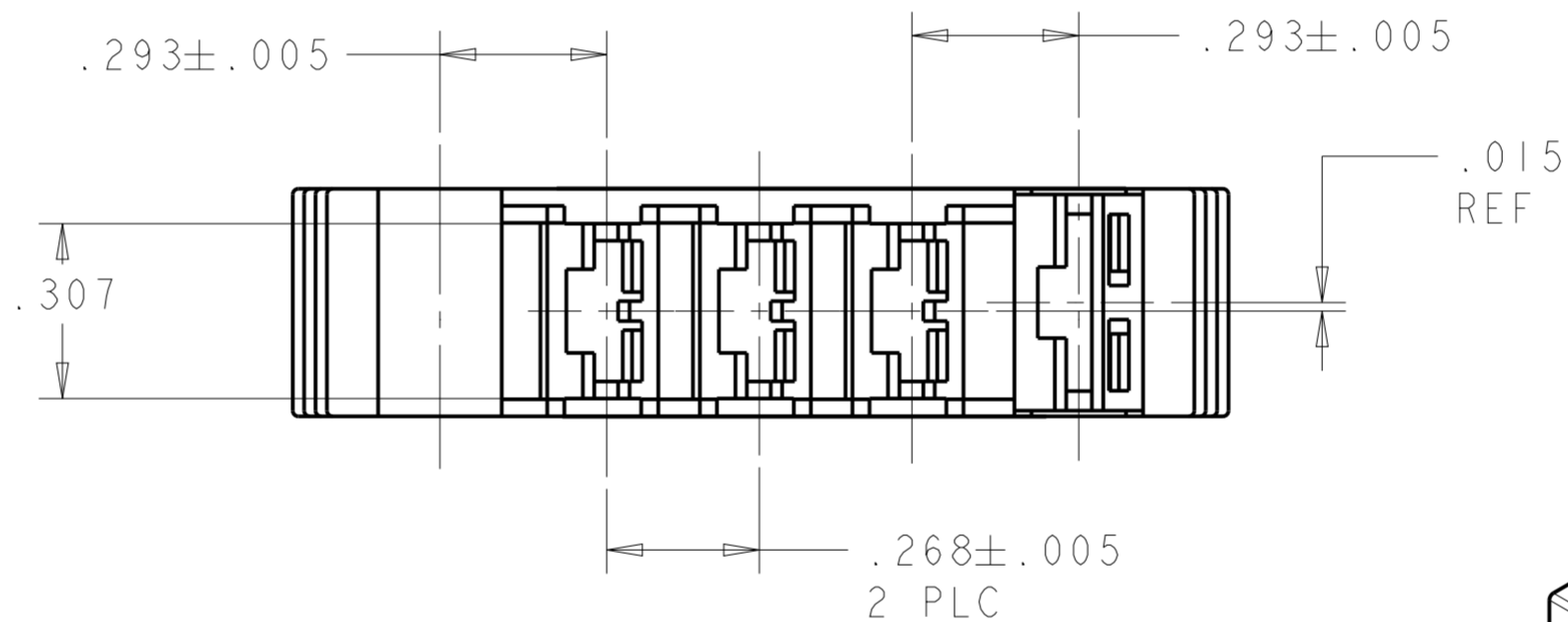
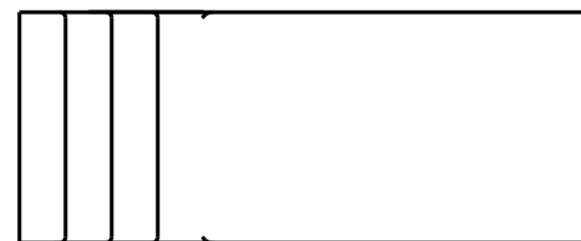


P	LTR	DESCRIPTION	DATE	DWN	APVD
D	I	REVISED PER ECR-06-007577	03APR2006	MF	EH
E		REVISED PER ECR-07-018671	08AUG2007	HMR	EH
E	I	REVISED PER ECR-19-020041	09JAN2020	PC	LJB
F		REVISED PER ECR-21-100620	29MAR2021	BDA	AF



1. CIRCUIT "C" ACCEPTS:  
 .250 MKIII POSITIVE LOCK RECEPTACLES 63933-X, 63854-X, & 1217092-X

CIRCUITS L,G,&N ACCEPTS:  
 .187 MKIII POSITIVE LOCK RECEPTACLES 1217113-X, & 1217114-X



NATURAL	NYLON 66/6, V0	521781-1
COLOR	MATERIAL	PART NUMBER

THIS DRAWING IS A CONTROLLED DOCUMENT.

DIMENSIONS: INCHES	TOLERANCES UNLESS OTHERWISE SPECIFIED: 0 PLC ± 1 PLC ± 2 PLC ± 3 PLC ±.010 4 PLC ± ANGLES ±2° FINISH	DWN R FLAIG 19JAN2005 CHK G PORTA 19JAN2005 APVD G PORTA 19JAN2005	
MATERIAL SEE TABLE	SEE TABLE	PRODUCT SPEC APPLICATION SPEC WEIGHT	

NAME: HOUSING, RECEPTACLE POSITIVE LOCK, 4 POSITION

SIZE: A2 CAGE CODE: 00779 DRAWING NO: C-521781

CUSTOMER DRAWING SCALE: 3:1 SHEET OF REV F