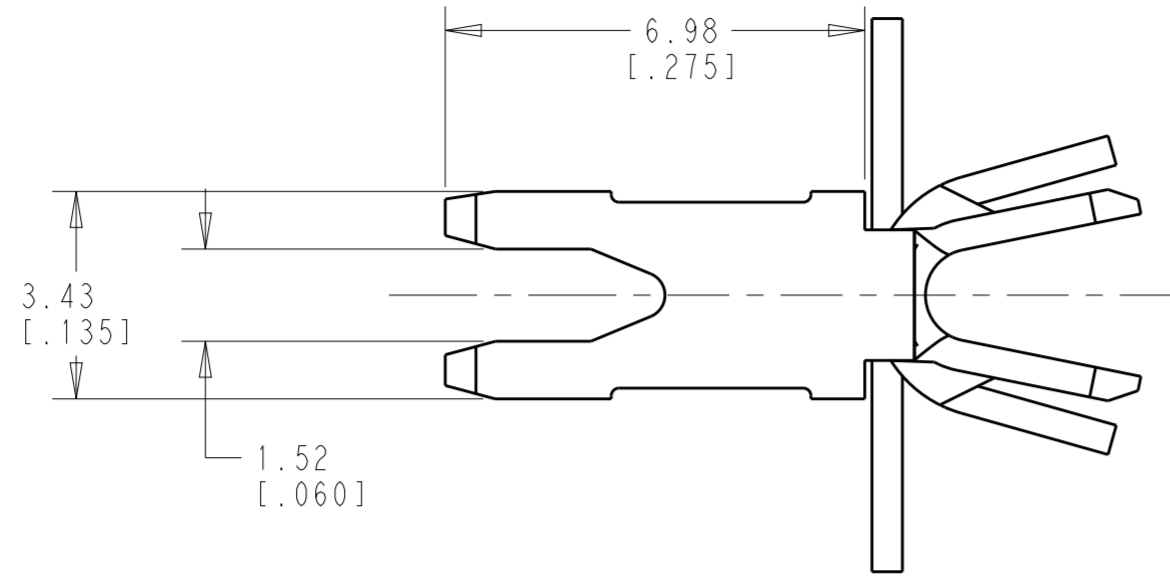
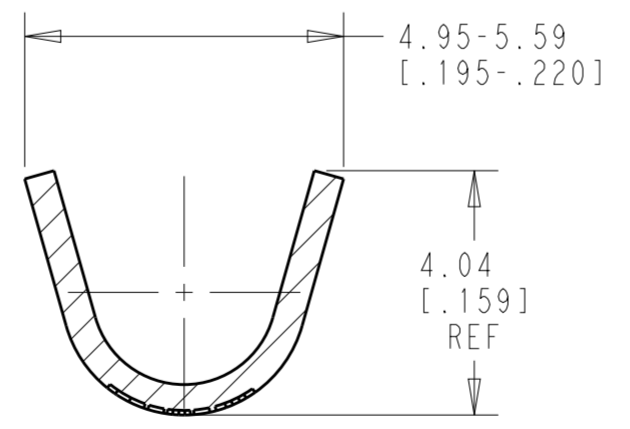
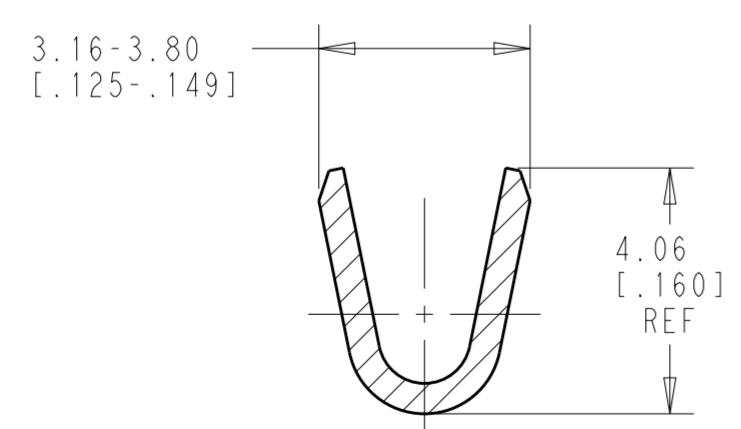
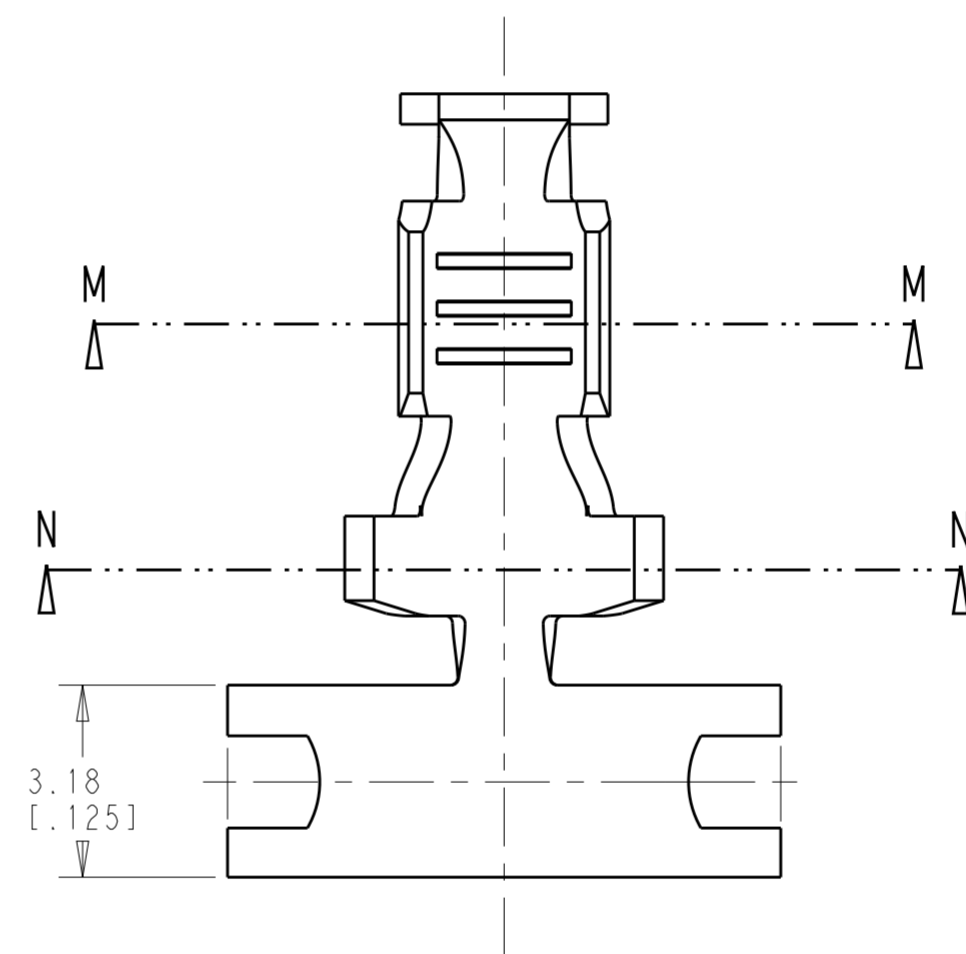
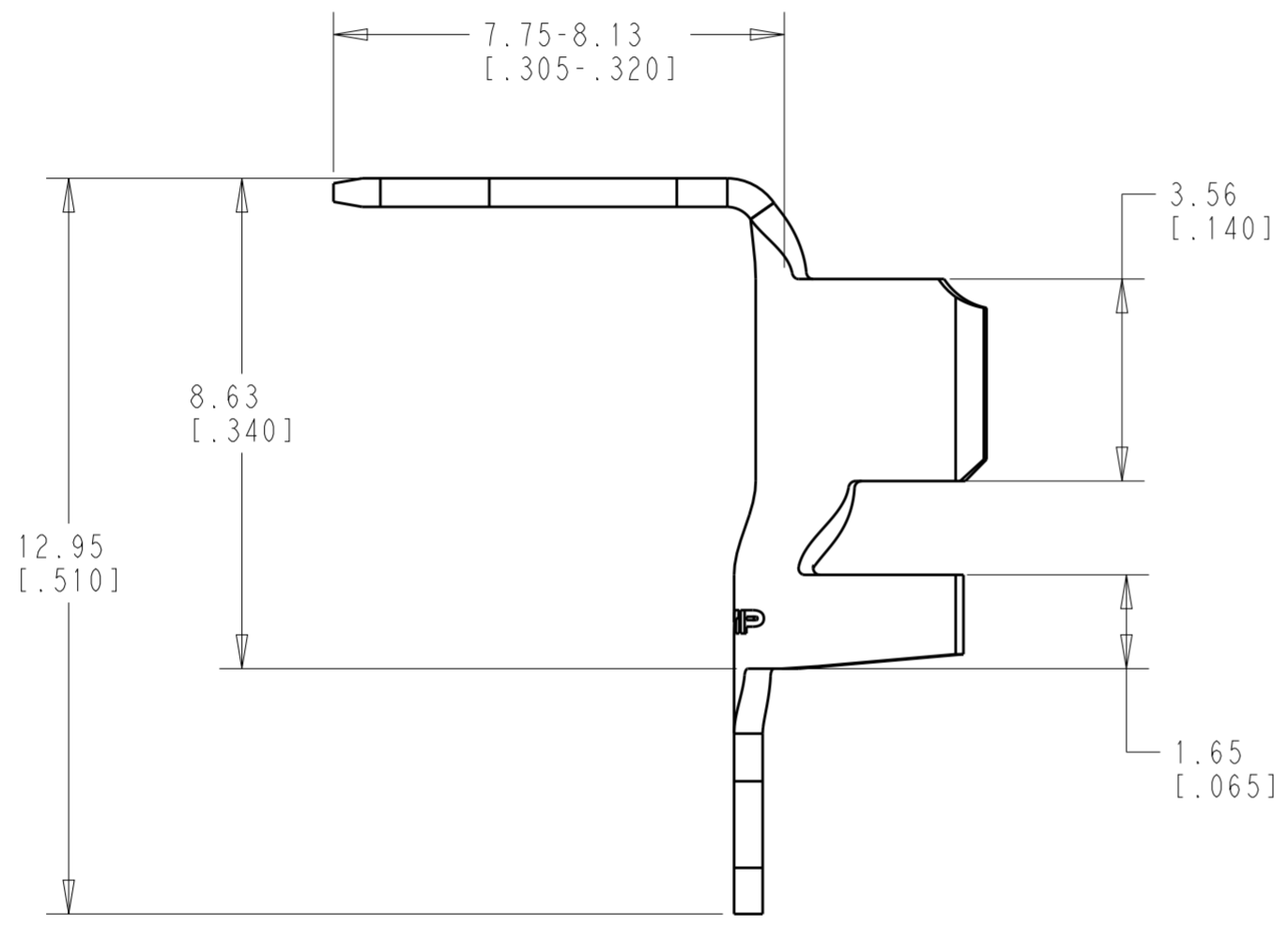


P	LTR	DESCRIPTION	DATE	DWN	APVD
	A	INITIAL RELEASE	03AUG2020	MB	TD



1. CONTINUOUS STRIP ON REELS WITH TERMINALS LOCATED ON 9.14±0.08 [.360±.003] CENTERS
2. WIRE RANGE- 18-14 AWG
INSULATION DIAMETER RANGE - 2.29-3.56mm [.090-.140 IN]



SECTION M-M

SECTION N-N

PRE-TIN PLATED	BRASS	2238281-1
FINISH	MATERIAL	PART NUMBER

THIS DRAWING IS A CONTROLLED DOCUMENT.		DWN B. WEAVER 13MAY2020	TE Connectivity	
DIMENSIONS: mm [IN]		CHK K. RANDOLPH 13MAY2020		
TOLERANCES UNLESS OTHERWISE SPECIFIED:		APVD T. DING 13MAY2020	NAME TAB, POKE-IN, NON-LOCKING, MAG-MATE	
0 PLC ±		PRODUCT SPEC 108-22045	SIZE A2	
1 PLC ±		APPLICATION SPEC 114-2050	CAGE CODE 00779	DRAWING NO C-2238281
2 PLC ±0.25 [.010]		WEIGHT -	RESTRICTED TO -	
3 PLC ±		CUSTOMER DRAWING	SCALE 8:1	SHEET 1 OF 1
4 PLC ±			REV A	
ANGLES ±				
FINISH				
MATERIAL SEE TABLE				