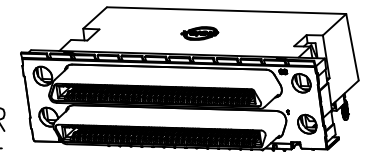
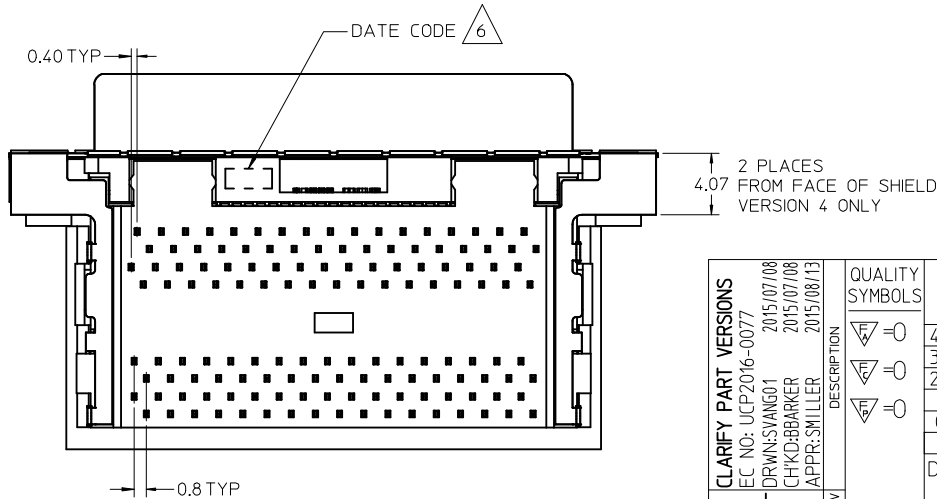
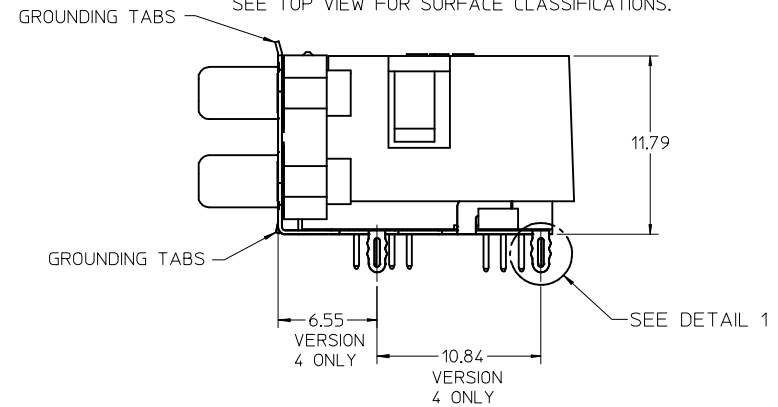
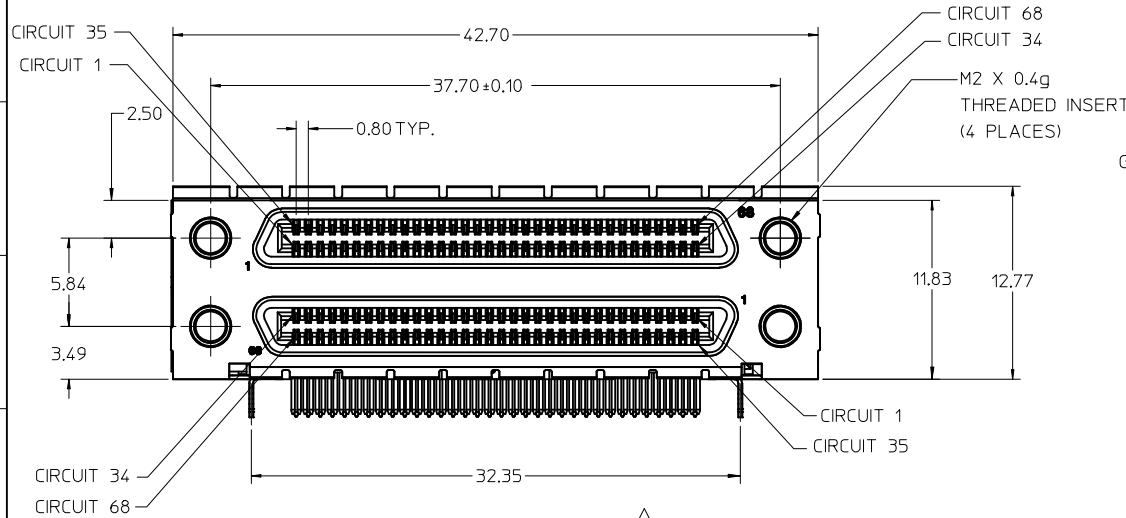


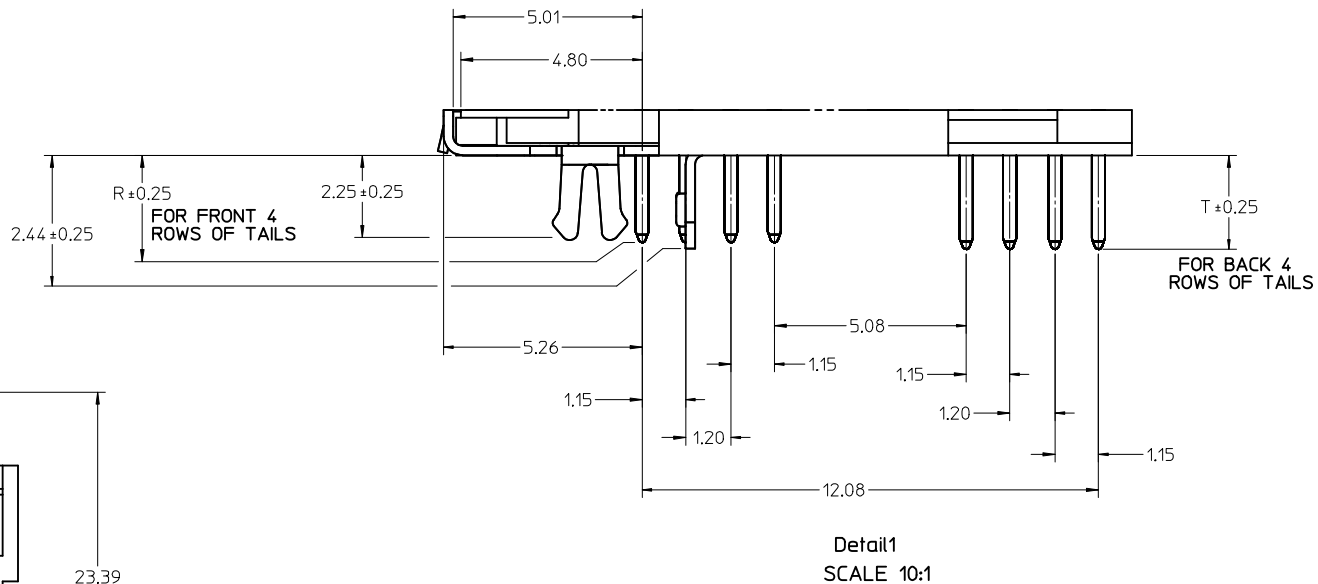
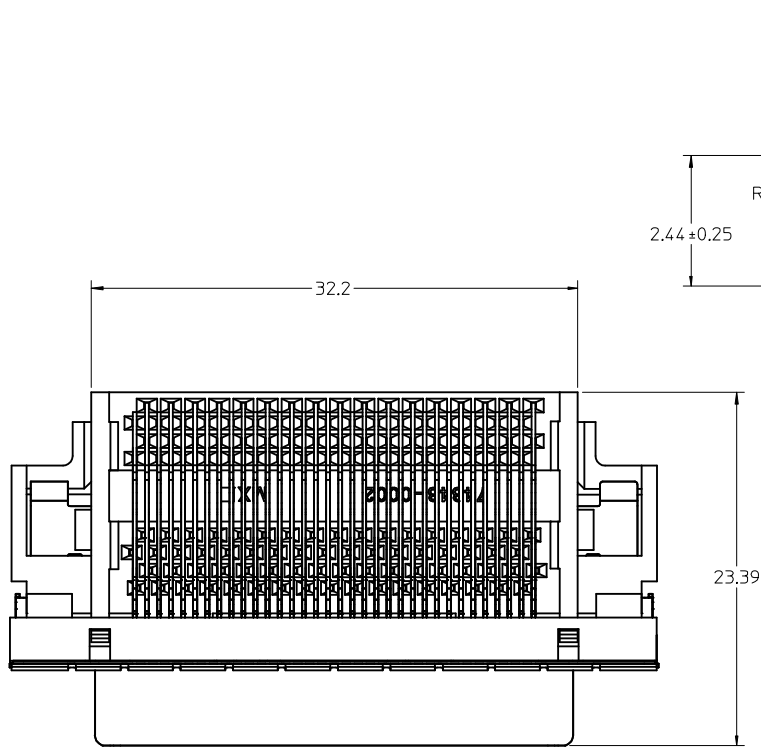
NOTES:

- MATERIALS:
HOUSING, COVER, AND TAIL ALIGNER: HIGH TEMPERATURE THERMOPLASTIC, UL94, V-0 RATED, COLOR: BLACK
TERMINAL: PHOSPHOR BRONZE ALLOY
BRACKET: BRASS
SHELL: STEEL
INSERT: BRASS
- FINISHES:
TERMINAL: 0.05-0.25 MICROMETERS GOLD FLASH IN CRITICAL AREA OVER 0.75 MICROMETERS MINIMUM PALLADIUM NICKEL IN CRITICAL AREA, 1.87 MICROMETERS MINIMUM TIN IN SOLDER TAIL AREA, ALL OVER NICKEL.
BRACKET: 5.0 MICROMETERS MINIMUM BRIGHT TIN,
SHIELD: 3.81 MICROMETERS MINIMUM BRIGHT TIN OVER 1.27 MICROMETERS MINIMUM NICKEL OVER COPPER FLASH (OPTIONAL).
INSERT: 2.54 MICROMETERS MINIMUM NICKEL.
- PRODUCT SPECIFICATION: PS-71425-9999.
- PACKAGING SPECIFICATION: TRAY PACK PER PK-74337-001.
- APPLICABLE STANDARDS: EIA-700A0AF AND SFF-8441.
- DATE CODE: YR/WK PER EIA-476-A.
- TORQUE TO INSTALL SCREWLOCKS INTO THREADED INSERTS: 0.37 Nm MAXIMUM
- PRODUCT COMPLIES WITH COSMETIC SPECIFICATION PS-45499-002. SEE TOP VIEW FOR SURFACE CLASSIFICATIONS.



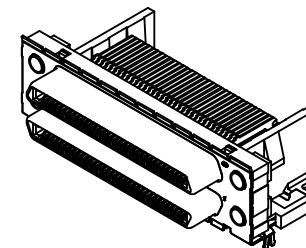
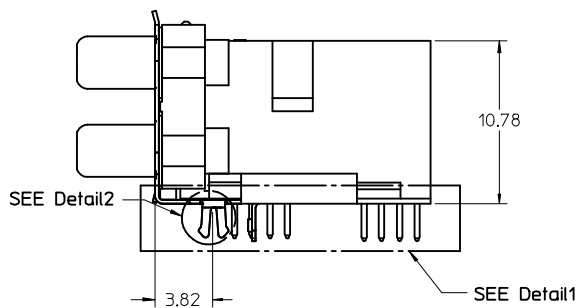
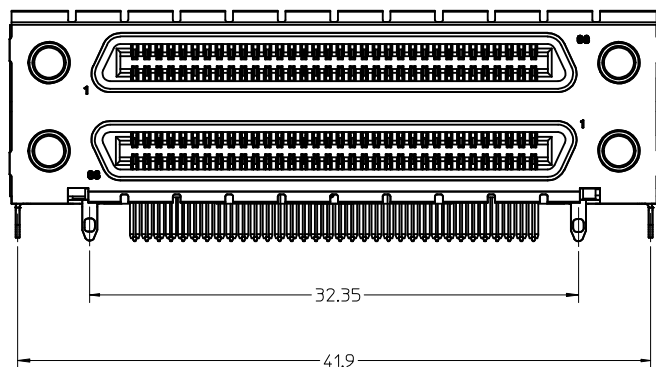
VERSION 4 WITH COVER SHOWN ON THIS SHEET

CLARIFY PART VERSIONS EC NO: UCP2016-0077 DRWNSVANG01 2015/07/08 CHKD:BBARKER 2015/07/08 APPR:SMILLER 2015/08/13	QUALITY SYMBOLS 	GENERAL TOLERANCES (UNLESS SPECIFIED)		DIMENSION STYLE MM ONLY		SCALE 3:1	DESIGN UNITS METRIC	THIRD ANGLE PROJECTION	
		mm INCH	DRAWN BY RKADAMS	DATE 04/8/27	TITLE SALES ASSEMBLY VHDCI STACKED				
		4 PLACES ± --- ± --- 3 PLACES ± --- ± --- 2 PLACES ± 0.13 ± --- 1 PLACE ± 0.25 ± --- 0 PLACE ± ±	CHECKED BY BBARKER	DATE 04/8/27	DOCUMENT NO. SD-74337-004				
		ANGULAR ± 1 °	APPROVED BY SMILLER	DATE 04/8/27	SHEET NO. 1 OF 4				
	DRAFT WHERE APPLICABLE MUST REMAIN WITHIN DIMENSIONS	MATERIAL NO. SEE TABLE		THIS DRAWING CONTAINS INFORMATION THAT IS PROPRIETARY TO MOLEX INCORPORATED AND SHOULD NOT BE USED WITHOUT WRITTEN PERMISSION					



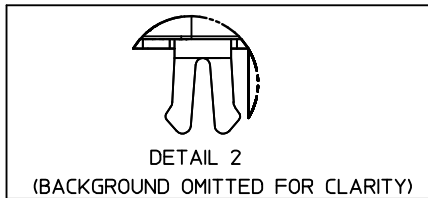
VERSION 1 WITHOUT COVER
SHOWN ON THIS SHEET

NOTE: DIMENSIONS SHOWN ON SHEET 1
APPLY EXCEPT AS NOTED



SEE SHEET 1 IEC NO: UCP2016-0077 DRWN:SVANG01 2015/07/08 CHKD:BBARKER 2015/07/08 APPR:SMILLER 2015/08/13	QUALITY SYMBOLS $\nabla=0$ $\nabla=0$ $\nabla=0$	GENERAL TOLERANCES (UNLESS SPECIFIED) <table border="1"> <tr> <td></td> <td>mm</td> <td>INCH</td> </tr> <tr> <td>4 PLACES</td> <td>± ---</td> <td>± ---</td> </tr> <tr> <td>3 PLACES</td> <td>± ---</td> <td>± ---</td> </tr> <tr> <td>2 PLACES</td> <td>± 0.13</td> <td>± ---</td> </tr> <tr> <td>1 PLACE</td> <td>± 0.25</td> <td>± ---</td> </tr> <tr> <td>0 PLACE</td> <td>±</td> <td>±</td> </tr> </table>		mm	INCH	4 PLACES	± ---	± ---	3 PLACES	± ---	± ---	2 PLACES	± 0.13	± ---	1 PLACE	± 0.25	± ---	0 PLACE	±	±	DIMENSION STYLE MM ONLY DRAWN BY: RKADAMS DATE: 04/8/27 CHECKED BY: BBARKER DATE: 04/8/27 APPROVED BY: SMILLER DATE: 04/8/27	SCALE 4:1 TITLE SALES ASSEMBLY VHDCI STACKED	DESIGN UNITS METRIC THIRD ANGLE PROJECTION
		mm	INCH																				
	4 PLACES	± ---	± ---																				
	3 PLACES	± ---	± ---																				
2 PLACES	± 0.13	± ---																					
1 PLACE	± 0.25	± ---																					
0 PLACE	±	±																					
MATERIAL NO. SEE TABLE	DOCUMENT NO. SD-74337-004	SHEET NO. 2 OF 4																					
DRAFT WHERE APPLICABLE MUST REMAIN WITHIN DIMENSIONS			THIS DRAWING CONTAINS INFORMATION THAT IS PROPRIETARY TO MOLEX INCORPORATED AND SHOULD NOT BE USED WITHOUT WRITTEN PERMISSION																				

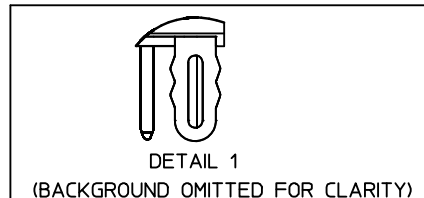
VERSION 1 PART NUMBERS



DETAIL 2
(BACKGROUND OMITTED FOR CLARITY)
BOARD RETENTION: SNAP FIT

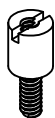
PCB THICKNESS	COVER	R DIM.	T DIM.	INCLUDES LOOSE PACKED SCREWLOCKS 71433-0002 SEE DRAWING SD-71433-005	GROUNDING TABS	PART NUMBER
1.60±0.16	YES	2.30	2.48	NO	YES	74337-0911
1.60±0.16	YES	2.08		NO	YES	74337-0912
1.60±0.16	NO	2.30	2.48	NO	YES	74337-0915
1.60±0.16	NO	2.08		NO	YES	
1.60±0.16	YES	2.30	2.48	YES	YES	
1.60±0.16	YES	2.08		YES	YES	
1.60±0.16	NO	2.30	2.48	YES	YES	
1.60±0.16	NO	2.08		YES	YES	
2.36±0.16	YES	3.44	3.62	NO	YES	
2.36±0.16	NO	3.44	3.62	NO	YES	
2.36±0.16	YES	3.44	3.62	YES	YES	74337-0972
2.36±0.16	NO	3.44	3.62	YES	YES	
1.60±0.16	YES	2.08		INSTALLED ON PART	YES	

VERSION 4 PART NUMBERS



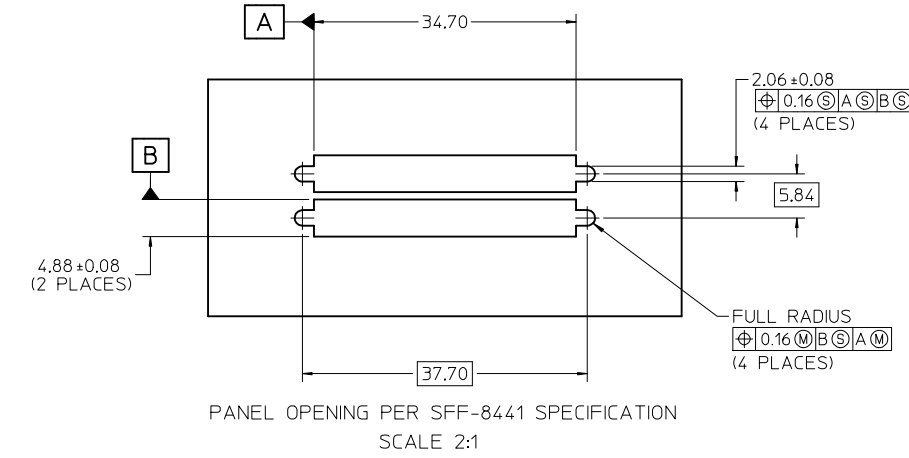
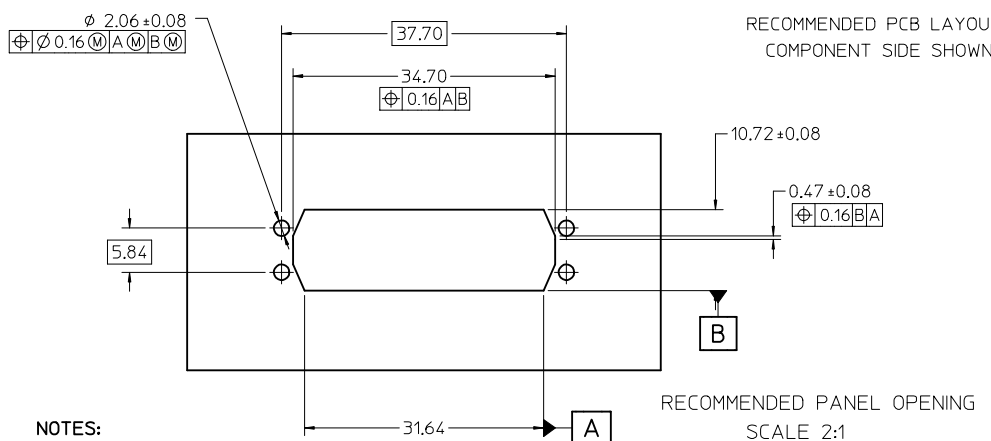
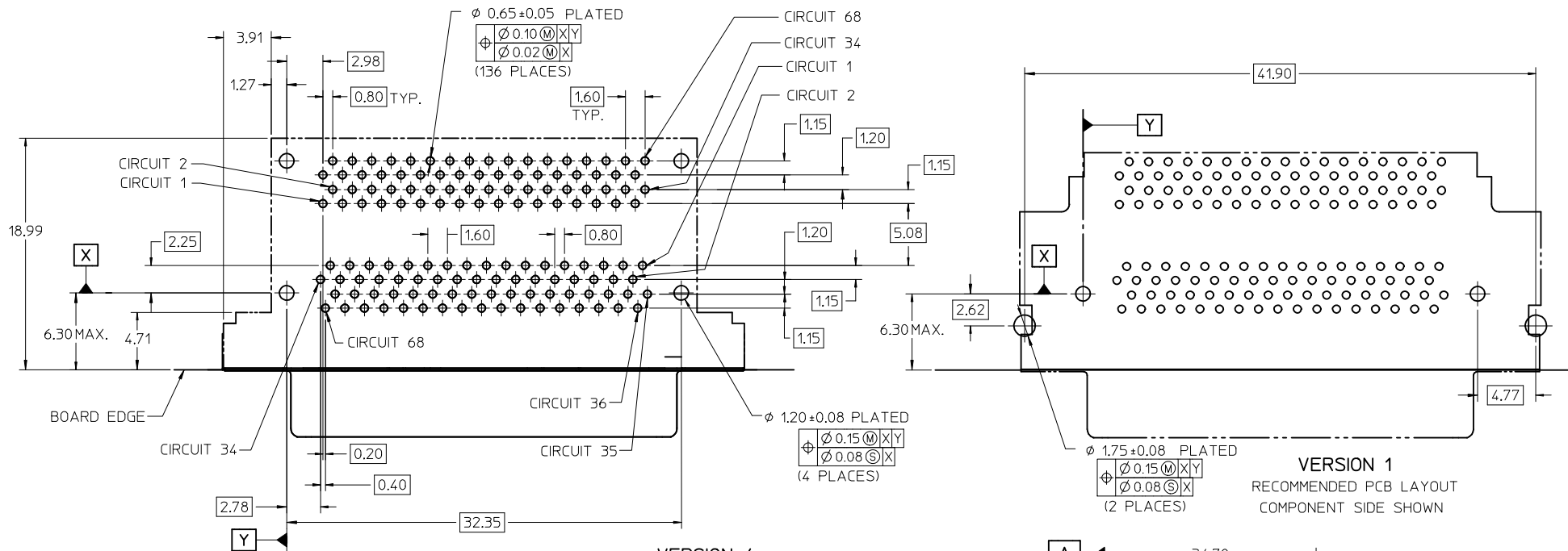
DETAIL 1
(BACKGROUND OMITTED FOR CLARITY)
BOARD RETENTION: PRESS FIT

PCB THICKNESS	COVER	R DIM.	T DIM.	INCLUDES LOOSE PACKED SCREWLOCKS 71433-0002 SEE DRAWING SD-71433-005	GROUNDING TABS	PART NUMBER
1.60±0.16	YES	2.30	2.48	NO	YES	
1.60±0.16	YES	2.08		NO	NO	74337-0951
1.60±0.16	NO	2.30	2.48	NO	YES	
1.60±0.16	NO	2.08		NO	YES	
1.60±0.16	YES	2.08		NO	YES	
1.60±0.16	YES	2.30	2.48	YES	YES	
1.60±0.16	YES	2.08		YES	YES	
1.60±0.16	NO	2.30	2.48	YES	YES	
1.60±0.16	NO	2.08		YES	YES	
2.36±0.16	YES	3.44	3.62	NO	YES	74337-0952
2.36±0.16	NO	3.44	3.62	NO	YES	
2.36±0.16	YES	3.44	3.62	YES	YES	
2.36±0.16	NO	3.44	3.62	YES	YES	
1.60±0.16	YES	2.08		INSTALLED ON PART	YES	



OPTIONAL SCREWLOCK
71433-0002

SEE SHEET 1 EC NO: UCP2016-0077 DRWNSYANG01 2015/07/08 CHKD:BBARKER 2015/07/08 APPR:SMILLER 2015/08/13	QUALITY SYMBOLS	GENERAL TOLERANCES (UNLESS SPECIFIED)	DIMENSION STYLE MM ONLY	SCALE 3:1	DESIGN UNITS METRIC	THIRD ANGLE PROJECTION
	▽=0	mm INCH	DRAWN BY DATE RKADAMS 04/8/27	SALES ASSEMBLY VHDCI STACKED		
	▽=0	4 PLACES ± --- ± ---	CHECKED BY DATE BBARKER 04/8/27			
	▽=0	3 PLACES ± --- ± ---	APPROVED BY DATE SMILLER 04/8/27	molex DOCUMENT NO. SD-74337-004 SHEET NO. 3 OF 4		
	▽=0	2 PLACES ± 0.13 ± ---	ANGULAR ± 1 °			
	1 PLACE ± 0.25 ± ---	DRAFT WHERE APPLICABLE MUST REMAIN WITHIN DIMENSIONS	SIZE C	THIS DRAWING CONTAINS INFORMATION THAT IS PROPRIETARY TO MOLEX INCORPORATED AND SHOULD NOT BE USED WITHOUT WRITTEN PERMISSION		



NOTES:

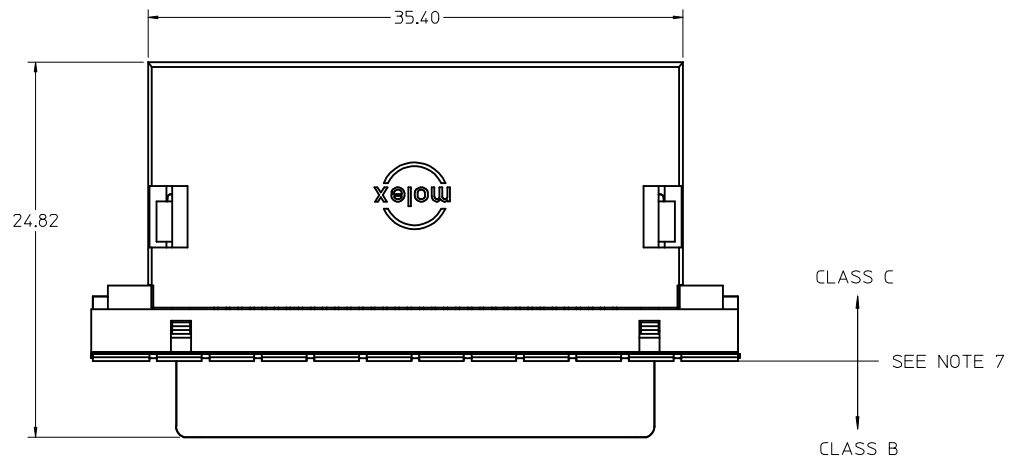
1. FOR FULL MATE WITH PLUG, PANEL THICKNESS SHOULD NOT EXCEED 1.0mm.

FUNCTIONAL MATING WITH MOLEX PLUG CAN STILL BE MAINTAINED WITH PANELS AS THICK AS 2.5mm (BUT PLUG AND RECEPTACLE WILL NOT BE FULLY MATED).

2. GUIDELINES FOR CHOOSING A MOLEX SCREWLOCK:

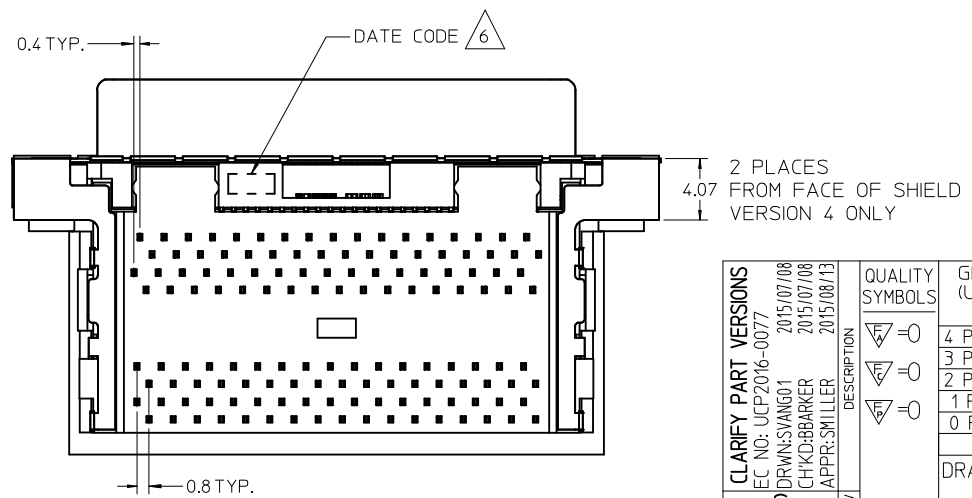
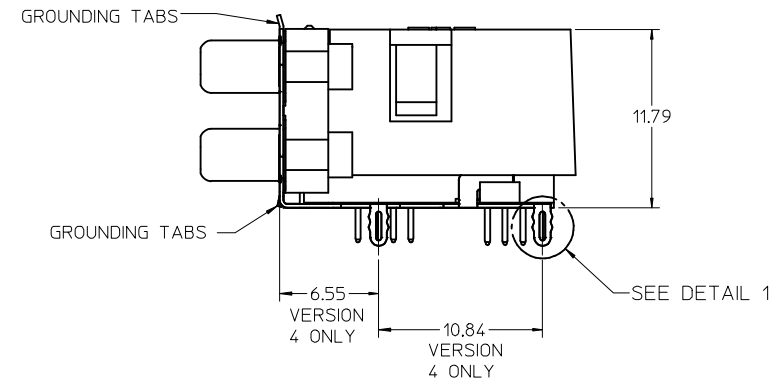
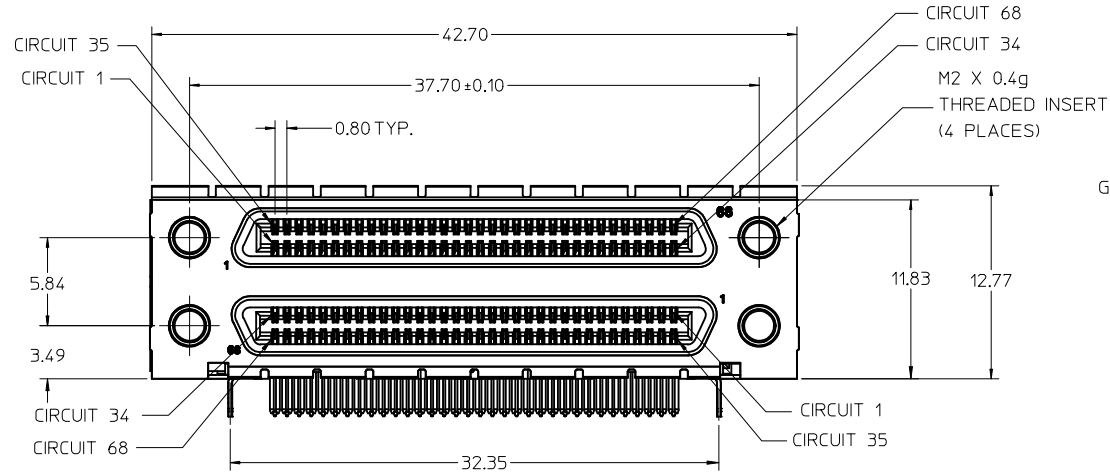
PANEL THICKNESS	RECOMMENDED SCREWLOCK
LESS THAN OR EQUAL TO 1.00 MM	71433-0002
1.01 TO 2.15 MM	71433-0010

SEE SHEET 1 EC NO: UCP2016-0077 DRWNSVANG01 2015/07/08 CHKD:BBARKER 2015/07/08 APPR:SMILLER 2015/08/13	QUALITY SYMBOLS	GENERAL TOLERANCES (UNLESS SPECIFIED)	DIMENSION STYLE MM ONLY	SCALE 3:1	DESIGN UNITS METRIC	THIRD ANGLE PROJECTION
	▽=0	mm INCH	DRAWN BY DATE RKADAMS 04/8/27	SALES ASSEMBLY VHDCI STACKED		
	▽=0	4 PLACES ± --- ± ---	CHECKED BY DATE BBARKER 04/8/27			
	▽=0	3 PLACES ± --- ± ---	APPROVED BY DATE SMILLER 04/8/27	molex DOCUMENT NO. SD-74337-004 SHEET NO. 4 OF 4		
	▽=0	2 PLACES ± 0.13 ± ---	1 PLACE ± 0.25 ± ---			
	0 PLACE ± ±	ANGULAR ± 1 °	SIZE C	THIS DRAWING CONTAINS INFORMATION THAT IS PROPRIETARY TO MOLEX INCORPORATED AND SHOULD NOT BE USED WITHOUT WRITTEN PERMISSION		

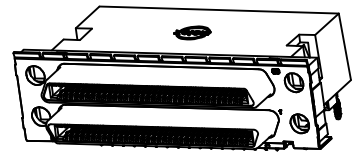


NOTES:

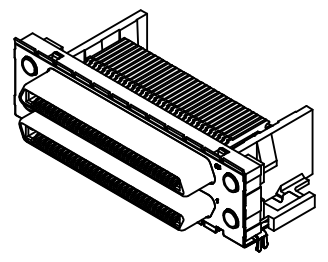
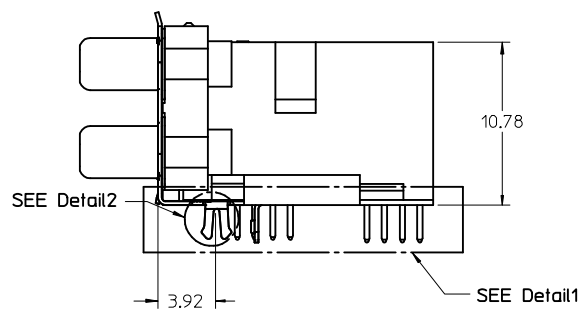
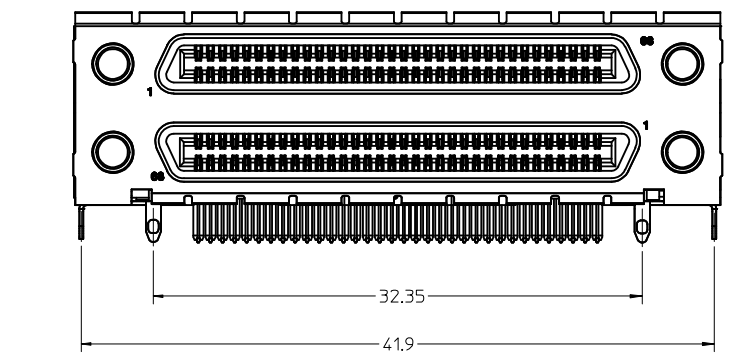
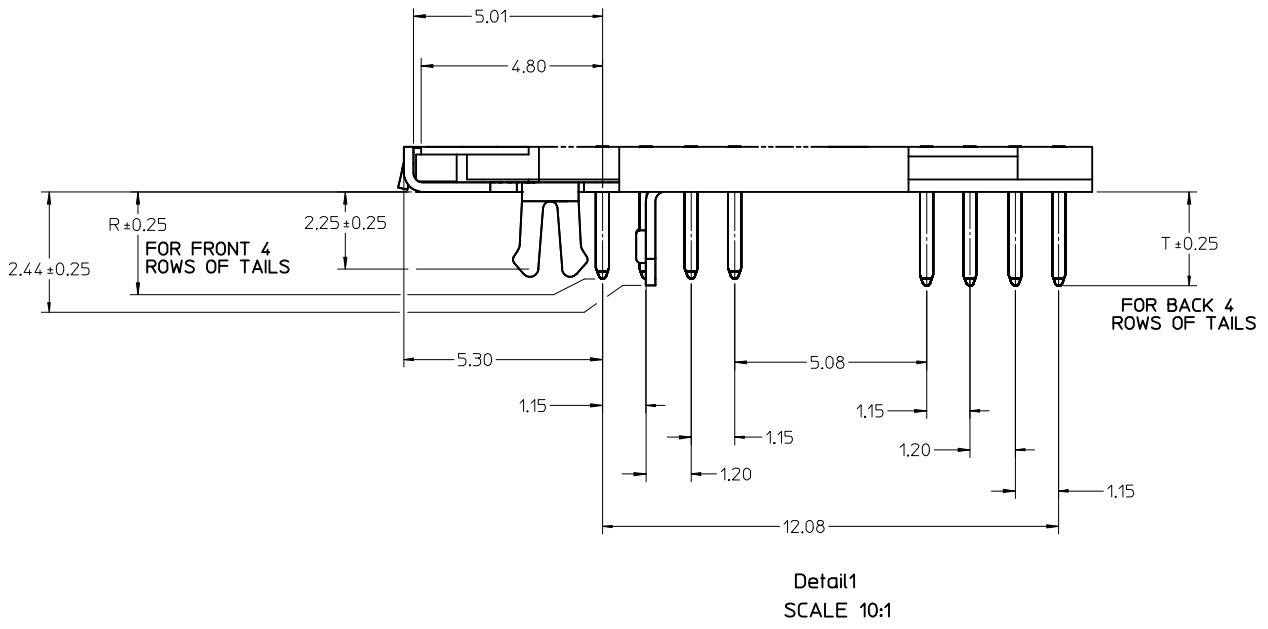
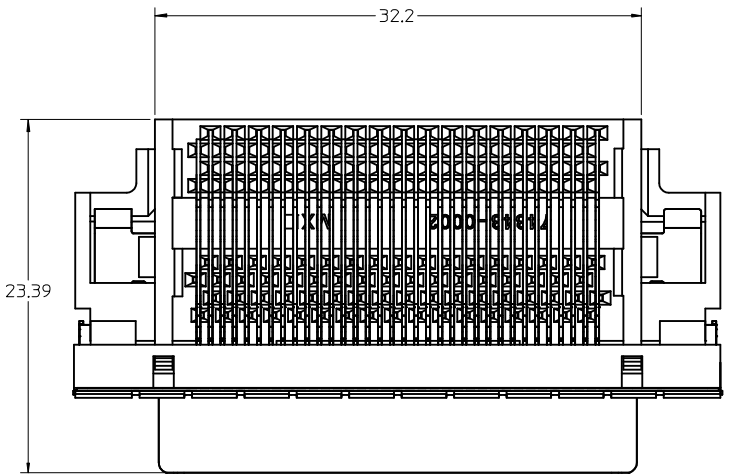
1. MATERIALS:
 HOUSING, COVER, AND TAIL ALIGNER: HIGH TEMPERATURE THERMOPLASTIC, UL94, V-0 RATED, COLOR: BLACK
 TERMINAL: PHOSPHOR BRONZE ALLOY
 BRACKET: BRASS
 SHELL: STEEL
 INSERT: BRASS
2. FINISHES:
 TERMINAL: 0.05-0.25 MICROMETERS GOLD FLASH IN CRITICAL AREA OVER 0.75 MICROMETERS MINIMUM PALLADIUM NICKEL IN CRITICAL AREA, 1.87 MICROMETERS MINIMUM TIN IN SOLDER TAIL AREA, ALL OVER NICKEL.
 BRACKET: 5.0 MICROMETERS MINIMUM BRIGHT TIN.
 SHIELD: 3.81 MICROMETERS MINIMUM BRIGHT TIN OVER 1.27 MICROMETERS MINIMUM NICKEL OVER COPPER FLASH (OPTIONAL).
 INSERT: 2.54 MICROMETERS MINIMUM NICKEL.
3. PRODUCT SPECIFICATION: PS-71425-9999.
4. PACKAGING SPECIFICATION: TRAY PACK PER PK-74337-001.
5. APPLICABLE STANDARDS: EIA-700A0AF AND SFF-8441.
6. DATE CODE: YR/WK PER EIA-476-A.
7. PRODUCT COMPLIES WITH COSMETIC SPECIFICATION PS-45499-002. SEE FIGURE AT LEFT FOR SURFACE CLASSIFICATIONS.
8. TORQUE TO INSTALL SCREWLOCKS INTO THREADED INSERTS: 0.34 Nm MAXIMUM.



VERSION 4, WITH COVER SHOWN ON THIS SHEET



CLARIFY PART VERSIONS EC NO: UCP2016-0077 DRWNS:VANG01 2015/07/08 CHKD:BBARKER 2015/07/08 APPR:SMILLER 2015/08/13 REV S	QUALITY SYMBOLS ∇=0 ∇=0 ∇=0	GENERAL TOLERANCES (UNLESS SPECIFIED) <table border="1"> <tr> <th></th> <th>mm</th> <th>INCH</th> </tr> <tr> <td>4 PLACES</td> <td>± ---</td> <td>± ---</td> </tr> <tr> <td>3 PLACES</td> <td>± ---</td> <td>± ---</td> </tr> <tr> <td>2 PLACES</td> <td>± 0.13</td> <td>± ---</td> </tr> <tr> <td>1 PLACE</td> <td>± 0.25</td> <td>± ---</td> </tr> <tr> <td>0 PLACE</td> <td>±</td> <td>±</td> </tr> </table>		mm	INCH	4 PLACES	± ---	± ---	3 PLACES	± ---	± ---	2 PLACES	± 0.13	± ---	1 PLACE	± 0.25	± ---	0 PLACE	±	±	DIMENSION STYLE MM ONLY DRAWN BY DATE SSAMPSON 05.08.2001 CHECKED BY DATE MBANAKIS 05.08.2001 APPROVED BY DATE MBANAKIS 05.08.2001	SCALE 3:1 DESIGN UNITS METRIC THIRD ANGLE PROJECTION	TITLE VHDCI STACKED ASSEMBLY
		mm	INCH																				
	4 PLACES	± ---	± ---																				
	3 PLACES	± ---	± ---																				
	2 PLACES	± 0.13	± ---																				
1 PLACE	± 0.25	± ---																					
0 PLACE	±	±																					
DRAFT WHERE APPLICABLE MUST REMAIN WITHIN DIMENSIONS	MATERIAL NO. SEE TABLE	DOCUMENT NO. SD-74337-014	SHEET NO. 1 OF 4																				
THIS DRAWING CONTAINS INFORMATION THAT IS PROPRIETARY TO MOLEX INCORPORATED AND SHOULD NOT BE USED WITHOUT WRITTEN PERMISSION																							

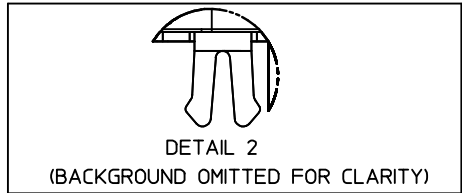


VERSION 1 WITHOUT COVER
SHOWN ON THIS SHEET

NOTE: DIMENSION SHOWN ON SHEET 1
APPLY EXCEPT AS NOTED.

SEE SHEET 1 EC NO: UCP2016-0077 DRWNS:VANG01 2015/07/08 CHKD:BBARKER 2015/07/08 APPR:SMILLER 2015/08/13	QUALITY SYMBOLS 	GENERAL TOLERANCES (UNLESS SPECIFIED) <table border="1"> <thead> <tr> <th></th> <th>mm</th> <th>INCH</th> </tr> </thead> <tbody> <tr> <td>4 PLACES</td> <td>± 0.25</td> <td>± 0.010</td> </tr> <tr> <td>3 PLACES</td> <td>± 0.25</td> <td>± 0.010</td> </tr> <tr> <td>2 PLACES</td> <td>± 0.13</td> <td>± 0.005</td> </tr> <tr> <td>1 PLACE</td> <td>± 0.25</td> <td>± 0.010</td> </tr> <tr> <td>0 PLACE</td> <td>±</td> <td>±</td> </tr> </tbody> </table>		mm	INCH	4 PLACES	± 0.25	± 0.010	3 PLACES	± 0.25	± 0.010	2 PLACES	± 0.13	± 0.005	1 PLACE	± 0.25	± 0.010	0 PLACE	±	±	DIMENSION STYLE MM ONLY DRAWN BY: SSAMPSON DATE: 05.08.2001 CHECKED BY: MBANAKIS DATE: 05.08.2001 APPROVED BY: MBANAKIS DATE: 05.08.2001	SCALE: 4:1 DESIGN UNITS: METRIC THIRD ANGLE PROJECTION	TITLE: VHCI STACKED ASSEMBLY
		mm	INCH																				
	4 PLACES	± 0.25	± 0.010																				
	3 PLACES	± 0.25	± 0.010																				
2 PLACES	± 0.13	± 0.005																					
1 PLACE	± 0.25	± 0.010																					
0 PLACE	±	±																					
MATERIAL NO. SEE TABLE	DOCUMENT NO. SD-74337-014	SHEET NO. 2 OF 4																					
DRAFT WHERE APPLICABLE MUST REMAIN WITHIN DIMENSIONS						THIS DRAWING CONTAINS INFORMATION THAT IS PROPRIETARY TO MOLEX INCORPORATED AND SHOULD NOT BE USED WITHOUT WRITTEN PERMISSION																	

VERSION 1 PART NUMBERS

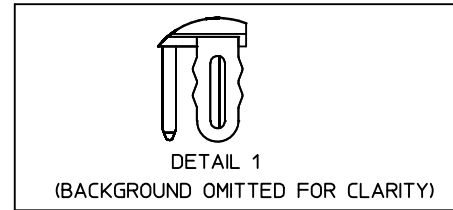


DETAIL 2
(BACKGROUND OMITTED FOR CLARITY)

BOARD RETENTION: SNAP FIT

PCB THICKNESS	COVER	R DIM.	T DIM.	INCLUDES LOOSE PACKED SCREWLOCKS 71433-0002 SEE DRAWING SD-71433-005	GROUNDING TABS	PART NUMBER
1.60±0.16	YES	2.30	2.48	NO	YES	74337-0011
1.60±0.16	YES	2.08		NO	YES	74337-0012
1.60±0.16	NO	2.30	2.48	NO	YES	74337-0015
1.60±0.16	NO	2.08		NO	YES	74337-0016
1.60±0.16	YES	2.30	2.48	YES	YES	74337-0037
1.60±0.16	YES	2.08		YES	YES	74337-0038
1.60±0.16	NO	2.30	2.48	YES	YES	74337-0039
1.60±0.16	NO	2.08		YES	YES	74337-0040
2.36±0.16	YES	3.44	3.62	NO	YES	74337-0070
2.36±0.16	NO	3.44	3.62	NO	YES	74337-0071
2.36±0.16	YES	3.44	3.62	YES	YES	74337-0072
2.36±0.16	NO	3.44	3.62	YES	YES	74337-0073
1.60±0.16	YES	2.08		INSTALLED ON PART	YES	74337-1038

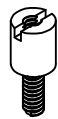
VERSION 4 PART NUMBERS



DETAIL 1
(BACKGROUND OMITTED FOR CLARITY)

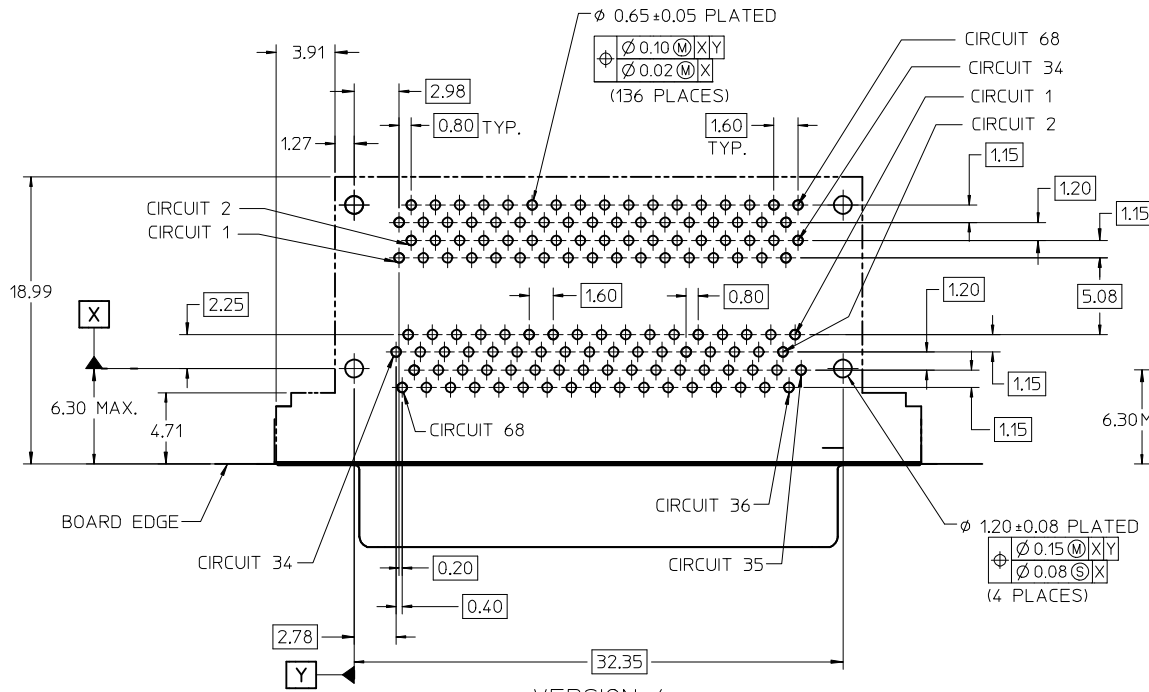
BOARD RETENTION: PRESS FIT

PCB THICKNESS	COVER	R DIM.	T DIM.	INCLUDES LOOSE PACKED SCREWLOCKS 71433-0002 SEE DRAWING SD-71433-005	GROUNDING TABS	PART NUMBER
1.60±0.16	YES	2.30	2.48	NO	YES	74337-0050
1.60±0.16	YES	2.08		NO	NO	74337-0051
1.60±0.16	NO	2.30	2.48	NO	YES	74337-0060
1.60±0.16	NO	2.08		NO	YES	74337-0061
1.60±0.16	YES	2.08		NO	YES	74337-0066
1.60±0.16	YES	2.30	2.48	YES	YES	74337-0053
1.60±0.16	YES	2.08		YES	YES	74337-0054
1.60±0.16	NO	2.30	2.48	YES	YES	74337-0063
1.60±0.16	NO	2.08		YES	YES	74337-0064
2.36±0.16	YES	3.44	3.62	NO	YES	74337-0052
2.36±0.16	NO	3.44	3.62	NO	YES	74337-0062
2.36±0.16	YES	3.44	3.62	YES	YES	74337-0055
2.36±0.16	NO	3.44	3.62	YES	YES	74337-0065
1.60±0.16	YES	2.08		INSTALLED ON PART	YES	74337-1054

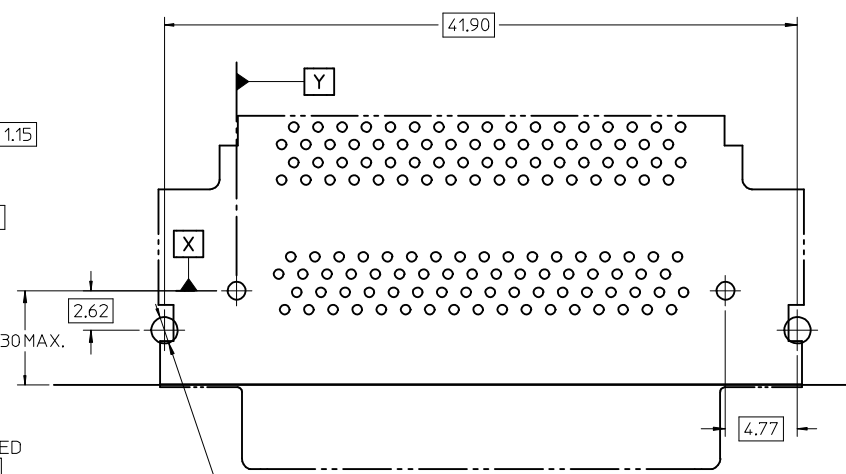


OPTIONAL SCREWLOCK
71433-0002

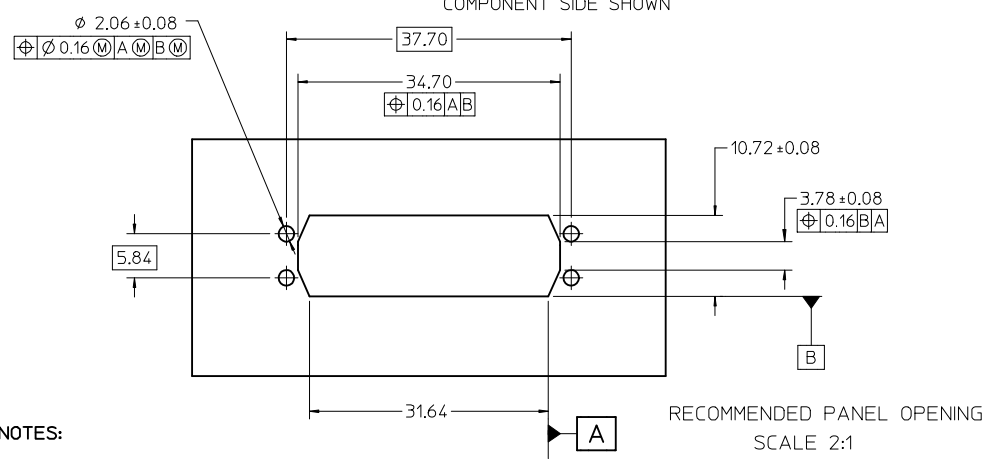
SEE SHEET 1 EC NO: UCP2016-0077 DRWNSVANG01 2015/07/08 CHKD:BBARKER 2015/07/08 APPR:SMILLER 2015/08/13	QUALITY SYMBOLS	GENERAL TOLERANCES (UNLESS SPECIFIED)	DIMENSION STYLE MM ONLY	SCALE 3:1	DESIGN UNITS METRIC	THIRD ANGLE PROJECTION
	▽=0	mm INCH	DRAWN BY DATE	TITLE VHDCI STACKED ASSEMBLY		
	▽=0	4 PLACES ± --- ± ---	SSAMPSON 05.08.2001	molex		
	▽=0	3 PLACES ± --- ± ---	CHECKED BY DATE	DOCUMENT NO. SD-74337-014		
	▽=0	2 PLACES ± 0.13 ± ---	MBANAK I S 05.08.2001	SHEET NO. 3 OF 4		
	1 PLACE ± 0.25 ± ---	APPROVED BY DATE	THIS DRAWING CONTAINS INFORMATION THAT IS PROPRIETARY TO MOLEX INCORPORATED AND SHOULD NOT BE USED WITHOUT WRITTEN PERMISSION			
	0 PLACE ± ±	MBANAK I S 05.08.2001				
		ANGULAR ± 1 °				
		DRAFT WHERE APPLICABLE MUST REMAIN WITHIN DIMENSIONS				



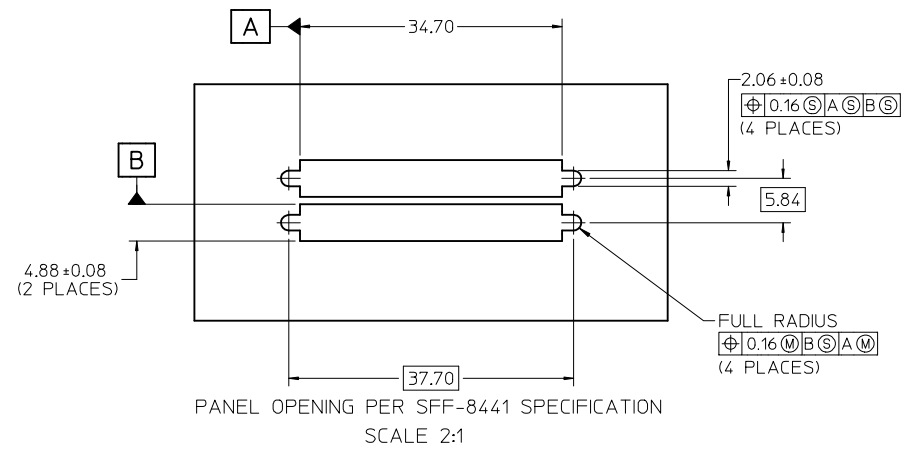
VERSION 4
RECOMMENDED PCB LAYOUT
COMPONENT SIDE SHOWN



VERSION 1
RECOMMENDED PCB LAYOUT
COMPONENT SIDE SHOWN
SAME AS VERSION 4 EXCEPT AS SHOWN



RECOMMENDED PANEL OPENING
SCALE 2:1



PANEL OPENING PER SFF-8441 SPECIFICATION
SCALE 2:1

NOTES:

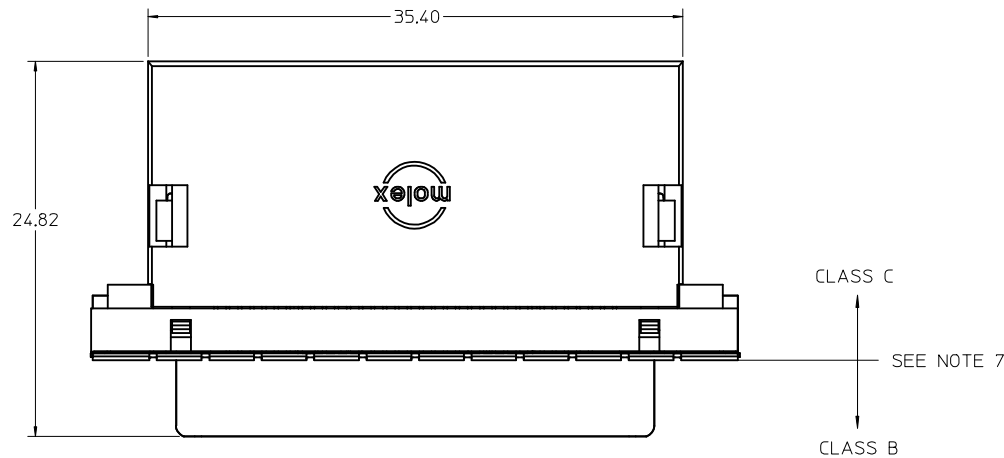
- FOR FULL MATE WITH PLUG, PANEL THICKNESS SHOULD NOT EXCEED 1.0mm.

FUNCTIONAL MATING WITH MOLEX PLUG CAN STILL BE MAINTAINED WITH PANELS AS THICK AS 2.5mm (BUT PLUG AND RECEPTACLE WILL NOT BE FULLY MATED).

2. GUIDELINES FOR CHOOSING A MOLEX SCREWLOCK:

PANEL THICKNESS	RECOMMENDED SCREWLOCK
LESS THAN OR EQUAL TO 1.00 MM	71433-0002
1.01 TO 2.15 MM	71433-0010

SEE SHEET 1 EC NO: UCP2016-0077 DRWNS:VANG01 2015/07/08 CHKD:BBARKER 2015/07/08 APPR:SMILLER 2015/08/13 REV:	QUALITY SYMBOLS ▽=0 ▽=0 ▽=0	GENERAL TOLERANCES (UNLESS SPECIFIED) <table border="1"> <thead> <tr> <th></th> <th>mm</th> <th>INCH</th> </tr> </thead> <tbody> <tr> <td>4 PLACES</td> <td>± ---</td> <td>± ---</td> </tr> <tr> <td>3 PLACES</td> <td>± ---</td> <td>± ---</td> </tr> <tr> <td>2 PLACES</td> <td>± 0.13</td> <td>± ---</td> </tr> <tr> <td>1 PLACE</td> <td>± 0.25</td> <td>± ---</td> </tr> <tr> <td>0 PLACE</td> <td>±</td> <td>±</td> </tr> </tbody> </table>		mm	INCH	4 PLACES	± ---	± ---	3 PLACES	± ---	± ---	2 PLACES	± 0.13	± ---	1 PLACE	± 0.25	± ---	0 PLACE	±	±	DIMENSION STYLE MM ONLY DRAWN BY DATE SSAMPSON 05.08.2001 CHECKED BY DATE MBANAK IS 05.08.2001 APPROVED BY DATE MBANAK IS 05.08.2001	SCALE 3:1 DESIGN UNITS METRIC THIRD ANGLE PROJECTION	TITLE VHDCI STACKED ASSEMBLY
		mm	INCH																				
	4 PLACES	± ---	± ---																				
	3 PLACES	± ---	± ---																				
2 PLACES	± 0.13	± ---																					
1 PLACE	± 0.25	± ---																					
0 PLACE	±	±																					
DRAFT WHERE APPLICABLE MUST REMAIN WITHIN DIMENSIONS		MATERIAL NO. SEE TABLE	DOCUMENT NO. SD-74337-014	SHEET NO. 4 OF 4																			
THIS DRAWING CONTAINS INFORMATION THAT IS PROPRIETARY TO MOLEX INCORPORATED AND SHOULD NOT BE USED WITHOUT WRITTEN PERMISSION																							



NOTES:

1. MATERIALS:

HOUSING, COVER, AND TAIL ALIGNER: GLASS FILLED LIQUID CRYSTAL POLYMER (LCP), UL94V-0 RATED, COLOR: BLACK
 TERMINAL: PHOSPHOR BRONZE ALLOY
 BRACKET: BRASS
 SHELL: STEEL
 INSERT: BRASS

2. FINISHES:

TERMINAL: 0.76 MICROMETER MINIMUM GOLD IN THE CRITICAL CONTACT AREA, 2.54 MICROMETERS MINIMUM MATTE TIN IN THE SOLDER TAIL AREA, ALL OVER A 1.27 MICROMETER MINIMUM NICKEL UNDERPLATE
 BRACKET: 1.01 TO 2.54 MICROMETER MATTE TIN
 SHIELD: 2.54 MICROMETERS MINIMUM NICKEL
 INSERT: 2.54 MICROMETERS MINIMUM NICKEL

3. PRODUCT SPECIFICATION: PS-71425-9999.

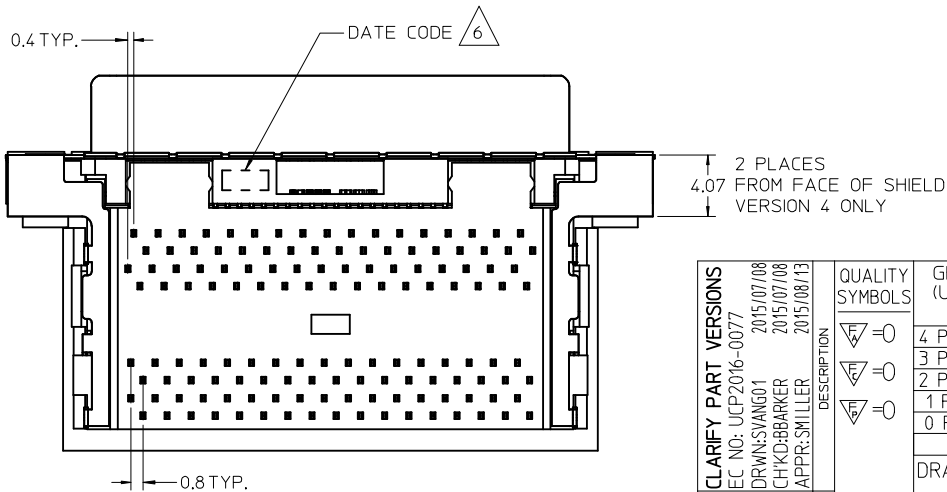
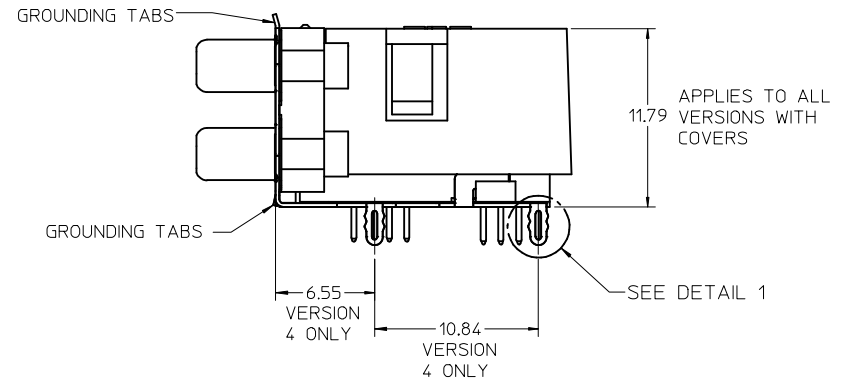
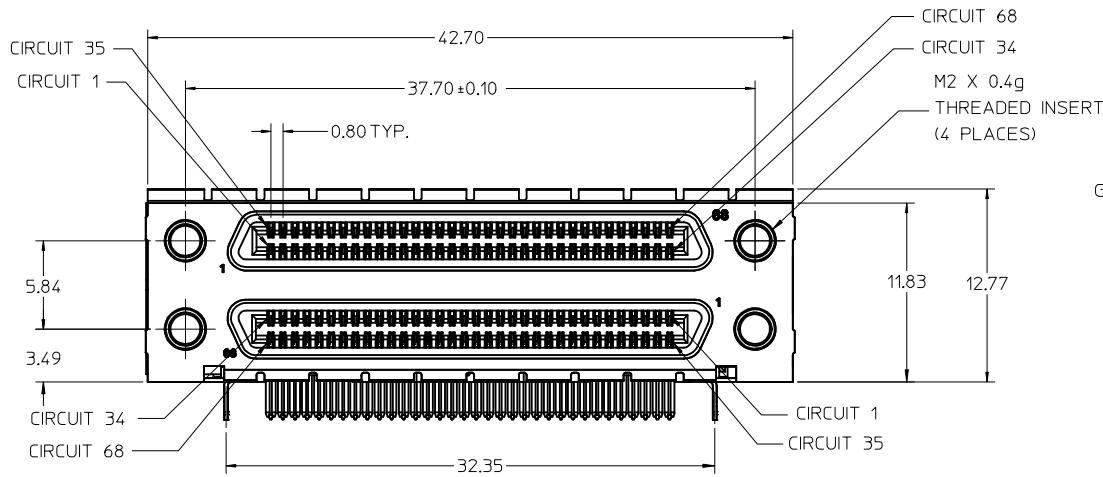
4. PACKAGING SPECIFICATION: TRAY PACK PER PK-74337-001.

5. APPLICABLE STANDARDS: EIA-700ADAF AND SFF-8441.

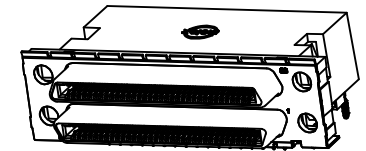
△ DATE CODE: YR/WK PER EIA-476-A.

7. PRODUCT COMPLIES WITH COSMETIC SPECIFICATION PS-45499-002. SEE FIGURE AT LEFT FOR SURFACE CLASSIFICATIONS.

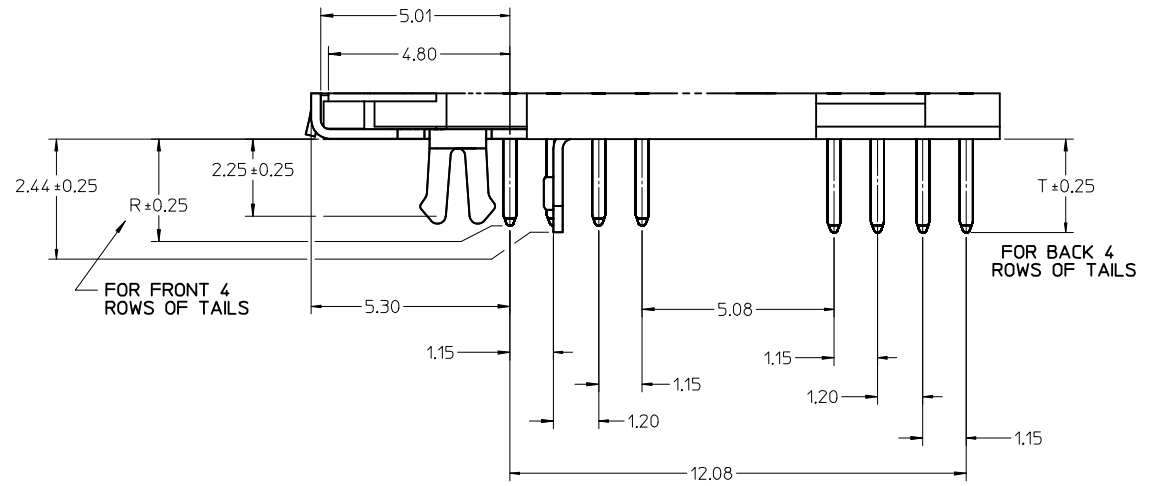
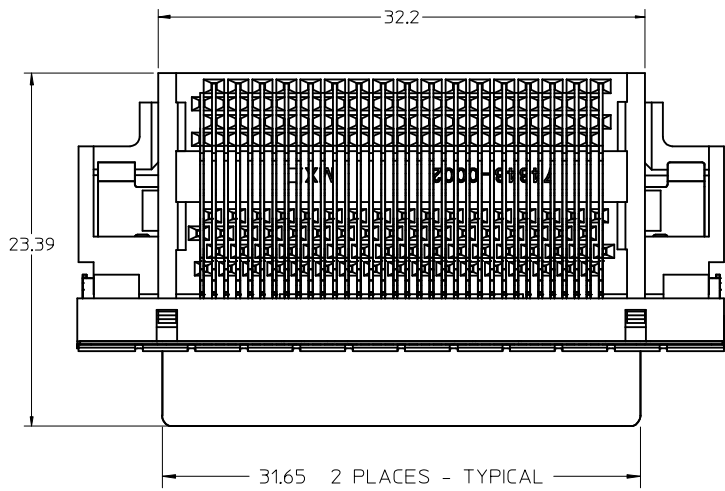
8. TORQUE TO INSTALL SCREWLOCKS INTO THREADED INSERTS: 0.34 Nm MAXIMUM.



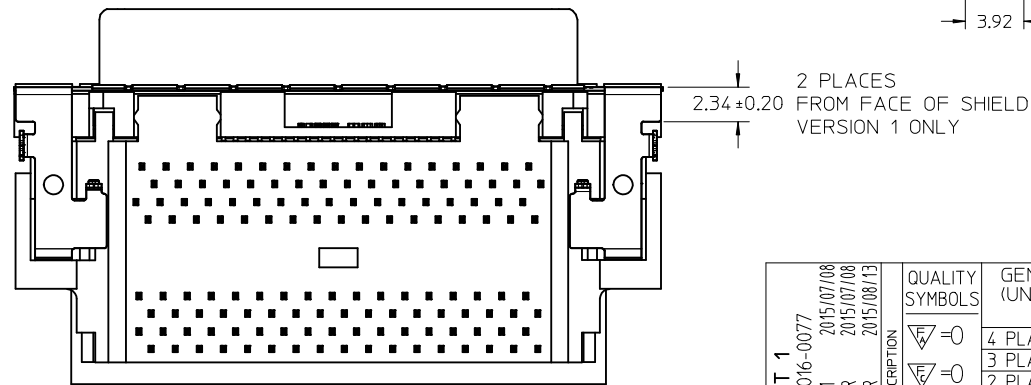
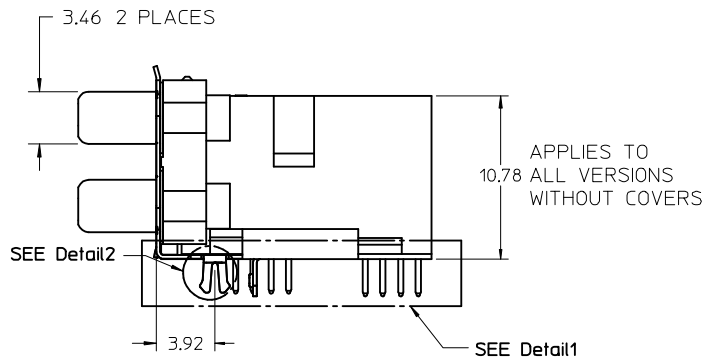
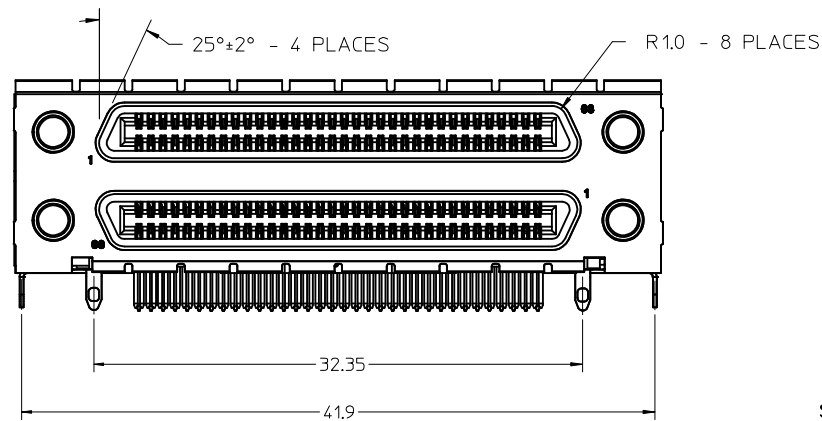
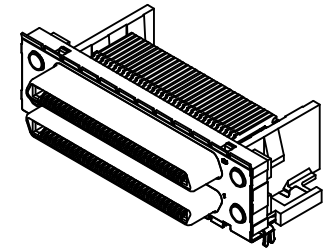
VERSION 4, WITH COVER SHOWN ON THIS SHEET



CLARIFY PART VERSIONS EC NO: UCP2016-0077 DRWNS:VANG01 2015/07/08 CHKD:BBARKER 2015/07/08 APPR:SMILLER 2015/08/13	QUALITY SYMBOLS 	GENERAL TOLERANCES (UNLESS SPECIFIED)		DIMENSION STYLE MM ONLY		SCALE 3:1	DESIGN UNITS METRIC	THIRD ANGLE PROJECTION			
		4 PLACES ± --- ± ---	3 PLACES ± --- ± ---	2 PLACES ± 0.13 ± ---	1 PLACE ± 0.25 ± ---	0 PLACE ± --- ± ---	DRAWN BY BBARKER	DATE 6/19/2009	TITLE VHDCI DUAL STACK RECEPTACLE ASSEMBLY NO BRIGHT TIN		
		ANGULAR ± 1 °		DRAFT WHERE APPLICABLE MUST REMAIN WITHIN DIMENSIONS		APPROVED BY SMILLER		DATE 2010/03/31	DOCUMENT NO. SD-74337-017		
		MATERIAL NO. SEE TABLE		SIZE C		THIS DRAWING CONTAINS INFORMATION THAT IS PROPRIETARY TO MOLEX INCORPORATED AND SHOULD NOT BE USED WITHOUT WRITTEN PERMISSION					SHEET NO. 1 OF 4



Detail1
SCALE 10:1

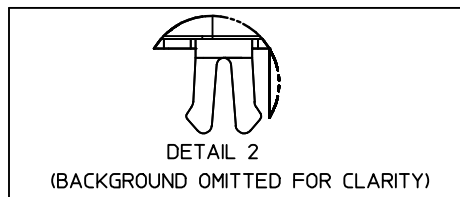


VERSION 1, WITHOUT COVER
SHOWN ON THIS SHEET

NOTE: DIMENSIONS SHOWN ON SHEET 1
APPLY EXCEPT AS NOTED.

SEE SHEET 1 EC NO: UCP2016-0077 DRAWN BY: IDRWINSYANG01 CHECKED BY: CHKDBBARKER APPR: SMILLER	DESCRIPTION 2015/07/08 2015/07/08 2015/08/13	QUALITY SYMBOLS ▽=0 ▽=0 ▽=0	GENERAL TOLERANCES (UNLESS SPECIFIED)		DIMENSION STYLE MM ONLY		SCALE 4:1	DESIGN UNITS METRIC	THIRD ANGLE PROJECTION
			mm	INCH	DRAWN BY BBARKER	DATE 6/19/2009	TITLE VHDCI DUAL STACK RECEPTACLE ASSEMBLY NO BRIGHT TIN		
4 PLACES	± ---	± ---	1 PLACE	± 0.13	± ---	CHECKED BY MIBARRA	DATE 6/19/2009	molex	
3 PLACES	± ---	± ---	0 PLACE	± 0.25	± ---	APPROVED BY SMILLER	DATE 2010/03/31		
2 PLACES	± 0.13	± ---	ANGULAR ± 1 °		MATERIAL NO. SEE TABLE		DOCUMENT NO. SD-74337-017	SHEET NO. 2 OF 4	
1 PLACE	± 0.25	± ---	DRAFT WHERE APPLICABLE MUST REMAIN WITHIN DIMENSIONS		THIS DRAWING CONTAINS INFORMATION THAT IS PROPRIETARY TO MOLEX. INCORPORATED AND SHOULD NOT BE USED WITHOUT WRITTEN PERMISSION				
0 PLACE	± ---	± ---							

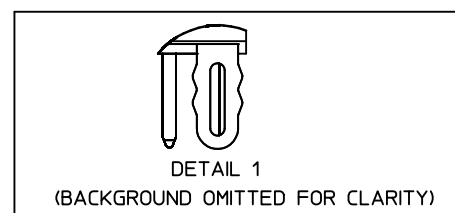
VERSION 1 PART NUMBERS



BOARD RETENTION: SNAP FIT

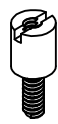
PCB THICKNESS	COVER	R DIM.	T DIM.	INCLUDES LOOSE PACKED SCREWLOCKS 71433-0002 SEE DRAWING SD-71433-005	GROUNDING TABS	PART NUMBER
1.60±0.16	YES	2.30	2.48	NO	YES	
1.60±0.16	YES	2.08		NO	YES	
1.60±0.16	NO	2.30	2.48	NO	YES	74337-4015
1.60±0.16	NO	2.08		NO	YES	
1.60±0.16	YES	2.30	2.48	YES	YES	
1.60±0.16	YES	2.08		YES	YES	
1.60±0.16	NO	2.30	2.48	YES	YES	
1.60±0.16	NO	2.08		YES	YES	
2.36±0.16	YES	3.44	3.62	NO	YES	
2.36±0.16	NO	3.44	3.62	NO	YES	74337-4071
2.36±0.16	YES	3.44	3.62	YES	YES	
2.36±0.16	NO	3.44	3.62	YES	YES	
1.60±0.16	YES	2.08		INSTALLED ON PART	YES	

VERSION 4 PART NUMBERS



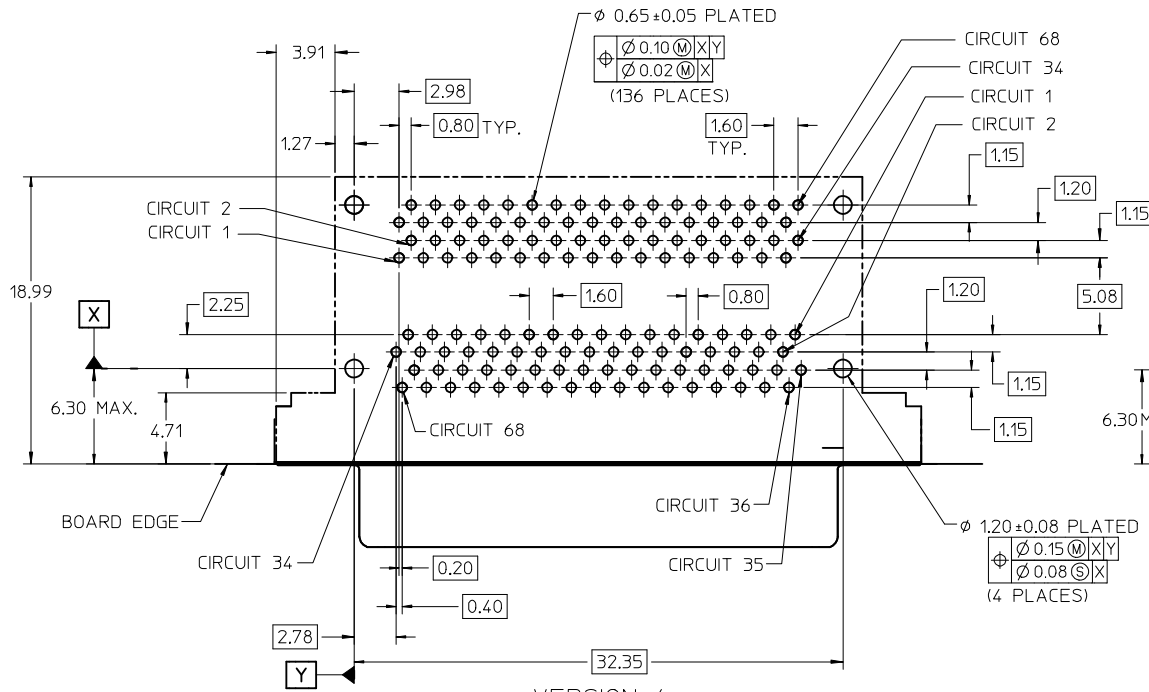
BOARD RETENTION: PRESS FIT

PCB THICKNESS	COVER	R DIM.	T DIM.	INCLUDES LOOSE PACKED SCREWLOCKS 71433-0002 SEE DRAWING SD-71433-005	GROUNDING TABS	PART NUMBER
1.60±0.16	YES	2.30	2.48	NO	YES	
1.60±0.16	YES	2.08		NO	NO	
1.60±0.16	NO	2.30	2.48	NO	YES	
1.60±0.16	NO	2.08		NO	YES	
1.60±0.16	YES	2.08		NO	YES	
1.60±0.16	YES	2.30	2.48	YES	YES	
1.60±0.16	YES	2.08		YES	YES	
1.60±0.16	NO	2.30	2.48	YES	YES	
1.60±0.16	NO	2.08		YES	YES	
2.36±0.16	YES	3.44	3.62	NO	YES	
2.36±0.16	NO	3.44	3.62	NO	YES	
2.36±0.16	YES	3.44	3.62	YES	YES	
2.36±0.16	NO	3.44	3.62	YES	YES	
1.60±0.16	YES	2.08		INSTALLED ON PART	YES	

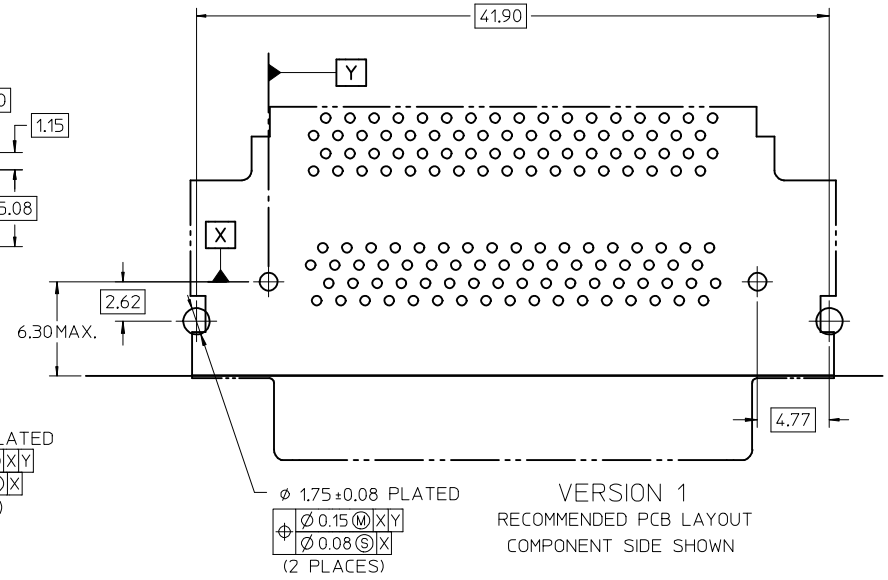


OPTIONAL SCREWLOCK
71433-0002

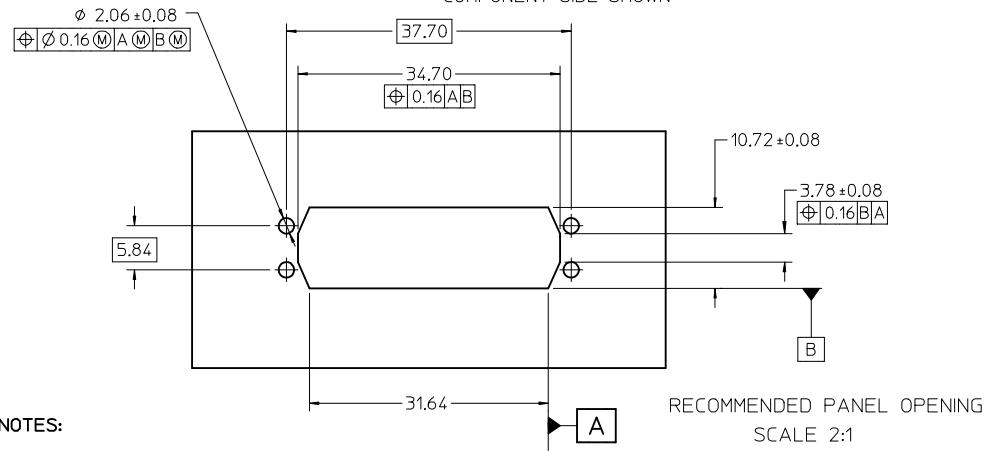
SEE SHEET 1 EC NO: UCP2016-0077 DRWNS:VANG01 2015/07/08 CHKD:BBARKER 2015/07/08 APPR:SMILLER 2015/08/13	QUALITY SYMBOLS ▽=0 ▽=0 ▽=0	GENERAL TOLERANCES (UNLESS SPECIFIED) mm INCH 4 PLACES ± --- ± --- 3 PLACES ± --- ± --- 2 PLACES ± 0.13 ± --- 1 PLACE ± 0.25 ± --- 0 PLACE ± --- ± ---	DIMENSION STYLE MM ONLY DRAWN BY DATE BBARKER 6/19/2009 CHECKED BY DATE MIBARRA 6/19/2009 APPROVED BY DATE SMILLER 2010/03/31	SCALE 3:1 DESIGN UNITS METRIC THIRD ANGLE PROJECTION	TITLE VHDCI DUAL STACK RECEPTACLE ASSEMBLY NO BRIGHT TIN molex	MATERIAL NO. SEE TABLE DOCUMENT NO. SD-74337-017	SHEET NO. 3 OF 4
	ANGULAR ± 1 °		DRAFT WHERE APPLICABLE MUST REMAIN WITHIN DIMENSIONS		THIS DRAWING CONTAINS INFORMATION THAT IS PROPRIETARY TO MOLEX INCORPORATED AND SHOULD NOT BE USED WITHOUT WRITTEN PERMISSION		
	REV G						



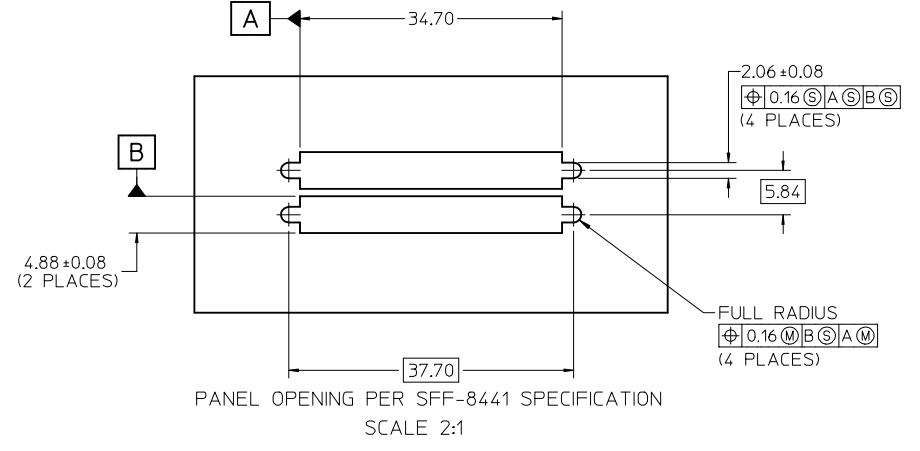
VERSION 4
RECOMMENDED PCB LAYOUT
COMPONENT SIDE SHOWN



VERSION 1
RECOMMENDED PCB LAYOUT
COMPONENT SIDE SHOWN
SAME AS VERSION 4 EXCEPT AS SHOWN



RECOMMENDED PANEL OPENING
SCALE 2:1



PANEL OPENING PER SFF-8441 SPECIFICATION
SCALE 2:1

NOTES:

1. FOR FULL MATE WITH PLUG, PANEL THICKNESS SHOULD NOT EXCEED 1.0mm.

FUNCTIONAL MATING WITH MOLEX PLUG CAN STILL BE MAINTAINED WITH PANELS AS THICK AS 2.5mm (BUT PLUG AND RECEPTACLE WILL NOT BE FULLY MATED).

2. GUIDELINES FOR CHOOSING A MOLEX SCREWLOCK:

PANEL THICKNESS	RECOMMENDED SCREWLOCK
LESS THAN OR EQUAL TO 1.00 MM	71433-0002
1.01 TO 2.15 MM	71433-0010

SEE SHEET 1 EC NO: UCP2016-0077 DRWNS:VANG01 2015/07/08 CHKD:BBARKER 2015/07/08 APPR:SMILLER 2015/08/13	QUALITY SYMBOLS $\nabla = 0$ $\nabla = 0$ $\nabla = 0$	GENERAL TOLERANCES (UNLESS SPECIFIED) <table border="1"> <thead> <tr> <th></th> <th>mm</th> <th>INCH</th> </tr> </thead> <tbody> <tr> <td>4 PLACES</td> <td>± 0.13</td> <td>± 0.005</td> </tr> <tr> <td>3 PLACES</td> <td>± 0.25</td> <td>± 0.010</td> </tr> <tr> <td>2 PLACES</td> <td>± 0.38</td> <td>± 0.015</td> </tr> <tr> <td>1 PLACE</td> <td>± 0.51</td> <td>± 0.020</td> </tr> <tr> <td>0 PLACE</td> <td>± 0.64</td> <td>± 0.025</td> </tr> </tbody> </table>		mm	INCH	4 PLACES	± 0.13	± 0.005	3 PLACES	± 0.25	± 0.010	2 PLACES	± 0.38	± 0.015	1 PLACE	± 0.51	± 0.020	0 PLACE	± 0.64	± 0.025	DIMENSION STYLE MM ONLY DRAWN BY: BBARKER DATE: 6/19/2009 CHECKED BY: MIBARRA DATE: 6/19/2009 APPROVED BY: SMILLER DATE: 2010/03/31	SCALE: 3:1 DESIGN UNITS: METRIC THIRD ANGLE PROJECTION
		mm	INCH																			
	4 PLACES	± 0.13	± 0.005																			
	3 PLACES	± 0.25	± 0.010																			
2 PLACES	± 0.38	± 0.015																				
1 PLACE	± 0.51	± 0.020																				
0 PLACE	± 0.64	± 0.025																				
DRAFT WHERE APPLICABLE MUST REMAIN WITHIN DIMENSIONS		MATERIAL NO. SEE TABLE	TITLE: VHDCI DUAL STACK RECEPTACLE ASSEMBLY NO BRIGHT TIN molex DOCUMENT NO. SD-74337-017																			
SHEET NO. 4 OF 4		THIS DRAWING CONTAINS INFORMATION THAT IS PROPRIETARY TO MOLEX INCORPORATED AND SHOULD NOT BE USED WITHOUT WRITTEN PERMISSION																				