

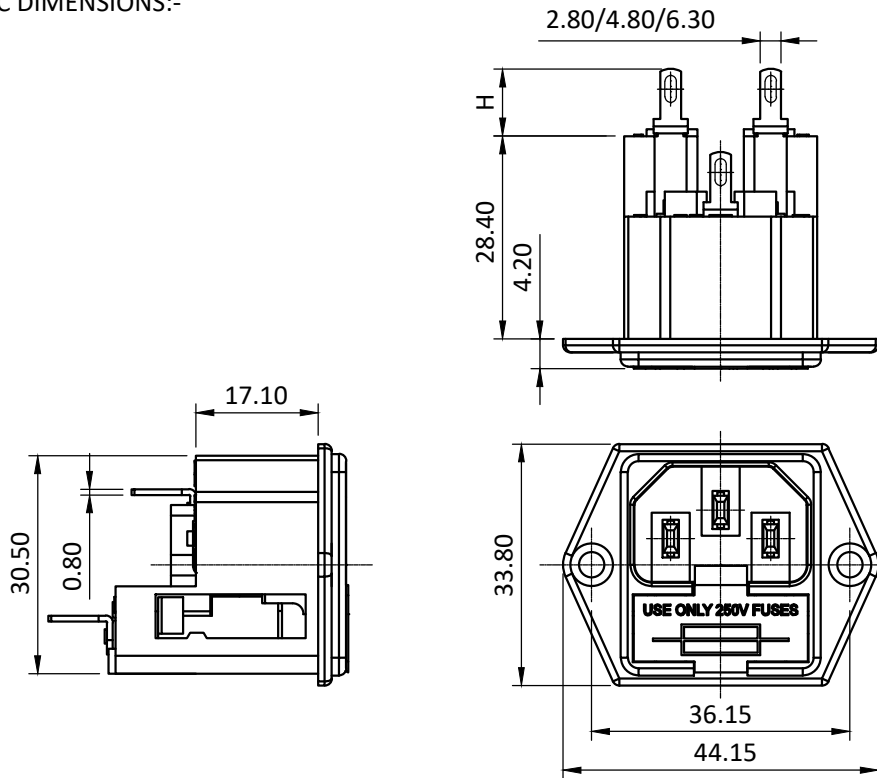
PRODUCT CODE:-

EMI-21-DF-X

CATEGORY:-

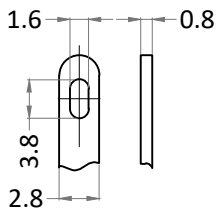
IEC INLET

BASIC DIMENSIONS:-

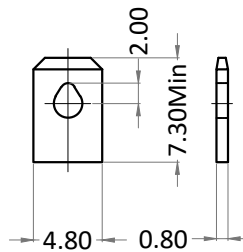


Terminal types	Terminal height(H)
2.80 Terminals	8.10 Min
4.80 Terminals	7.30 Min
6.30 Terminals	8.90 Min

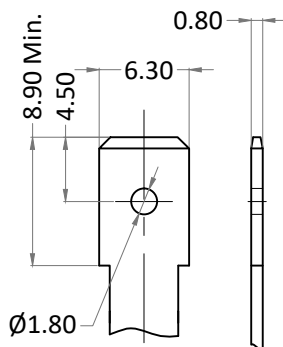
TERMINALS
(Scale:- 2:1)
2.8x0.8 (T2)



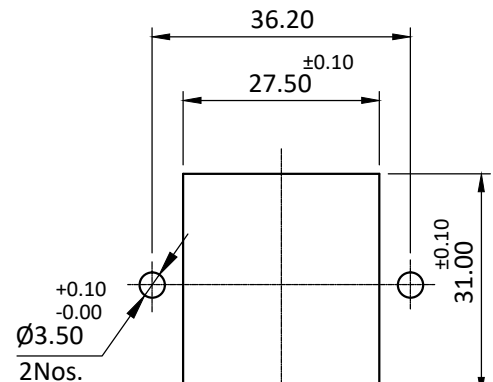
4.8x0.8 (T4)




6.3x0.8 (T5)



PANEL CUTOUT



						APP	21.12.04	SBP	 <p>Plot E-4, Kagal Five Star MIDC, Kagal, Kolhapur, MH - 416236, India Elcom International Pvt. Ltd. www.elcom-in.com</p>
						CHK			
						DRN	21.12.04	SNV	
REV	IS	WAS	DATE	SIGN	APP.	BY	DATE	SIGN	
UNSP.TOLERANCE			DIMNS. IN	WT(Gm)	SCALE:-	PROJECTION	SHEET	DRAWING NUMBER	
OVER	-	1	10	mm	Max.	NTS.	1	OF 2	P E M I 9 0 2 D
UP TO	1	10	-	Moulding, plating details as per Bill of Material Unspecified colour is Black, GF:Glass filled.					REVISION
±	0.2	0.3	0.5						0

F:ENG-08.00

Note: Technical specifications are subject to change without prior notice

Copyright © 2019 by Elcom International Pvt.Ltd, India. All rights reserved

PRODUCT CODE:-	EMI-21-DF-X	CATEGORY:-	IEC INLET
----------------	--------------------	------------	------------------

SPECIFICATION TABLE:-

SR.NO.	PARAMETER		SPECIFICATION
1	V/A Rating		10A 250V AC
2	Contact Resistance (Initial)		20 mohms max.
3	Insulation Resistance At 500 V DC		1000 Mohms min.
4	H.V.Break Down Test (For 1-Minute)		2 KV AC
5	Mounting		Panel, Screw-type
6	Terminals		Solder-type / Fast-On
7	Permissible Temp.	(a) With/Without Load	-25°C To 70°C
		(b) For Soldering	270°C for 5 Sec. max.
8	Material	(a) Body	Nylon-6, GF20%, V-2
		(b) Terminals	Brass, Tin/Nickel plating
		(c) Contacts	Copper Alloy, Tin/Nickel plating
9	Reference Standards		IEC 60320-1, IEC 60127-6, CSA : C22.2 No.60320-1-11
10	Compliance Marking		
11	Approvals		

ORDERING CODE:-



TERMINAL DETAILS

		A (Capsule Hole)	B (Drop Hole)	C (Fast-on)
T2	2.8x0.80			
T4	4.8x0.80			
T5	6.3x0.80			

EXAMPLE :-

1)EMI-21-DF-T4B

						APP	21.12.04	SBP	 Plot E-4, Kagal Five Star MIDC, Kagal, Kolhapur, MH - 416236, India Elcom International Pvt. Ltd. www.elcom-in.com
						CHK			
						DRN	21.12.04	SNV	
REV	IS	WAS	DATE	SIGN	APP.	BY	DATE	SIGN	
UNSP.TOLERANCE			DIMNS. IN	WT(Gm)	SCALE:-	PROJECTION	SHEET	DRAWING NUMBER	
OVER	-	1	10	mm	Max.	NTS.	 2 OF 2	P E M I 9 0 2 D REVISION 0	
UP TO	1	10	-	Moulding, plating details as per Bill of Material Unspecified colour is Black, GF:Glass filled.					
±	0.2	0.3	0.5						

F:ENG-08.00

Note: Technical specifications are subject to change without prior notice

Copyright © 2019 by Elcom International Pvt.Ltd, India. All rights reserved