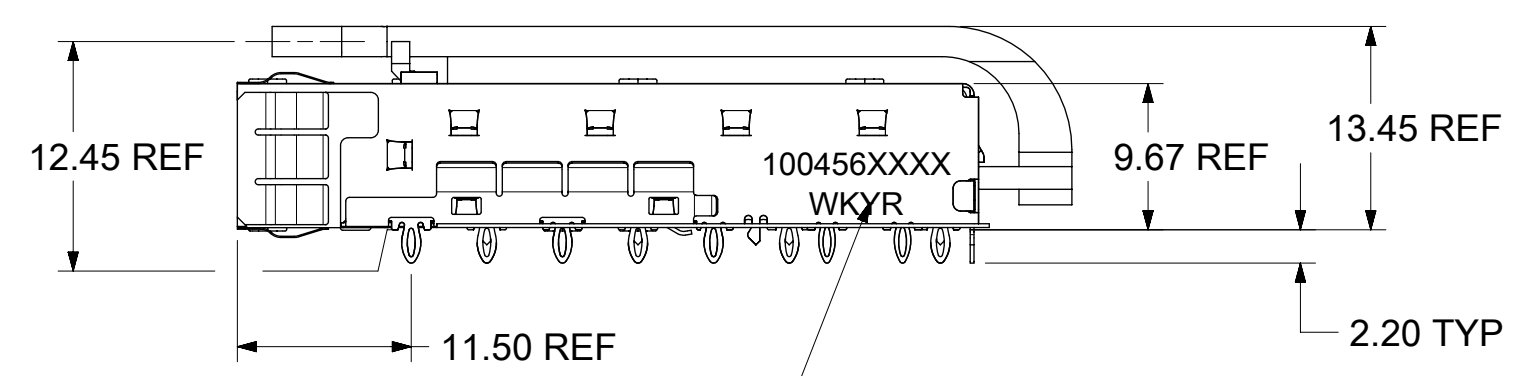
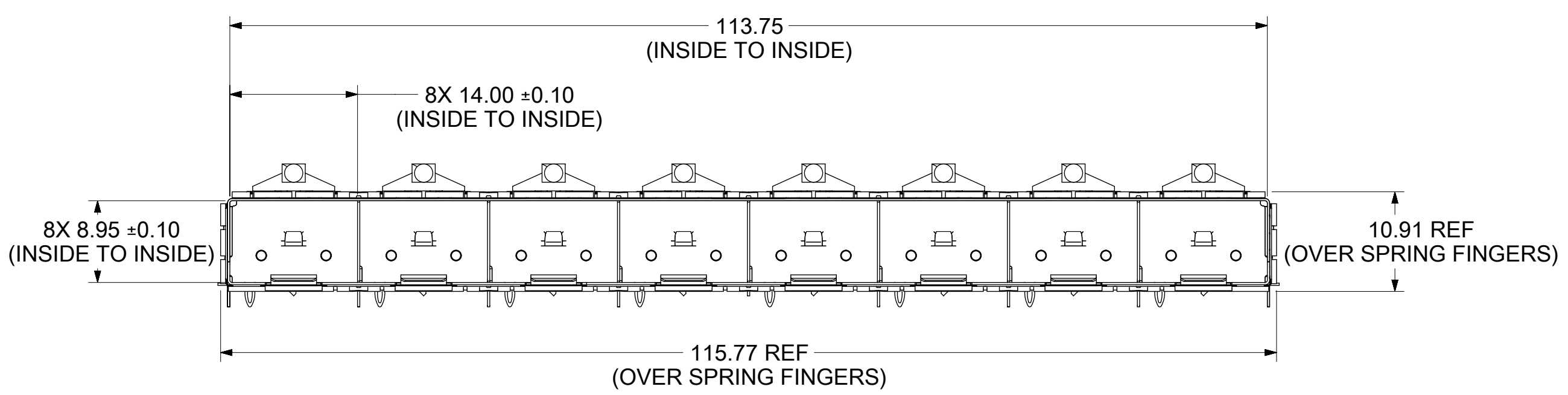
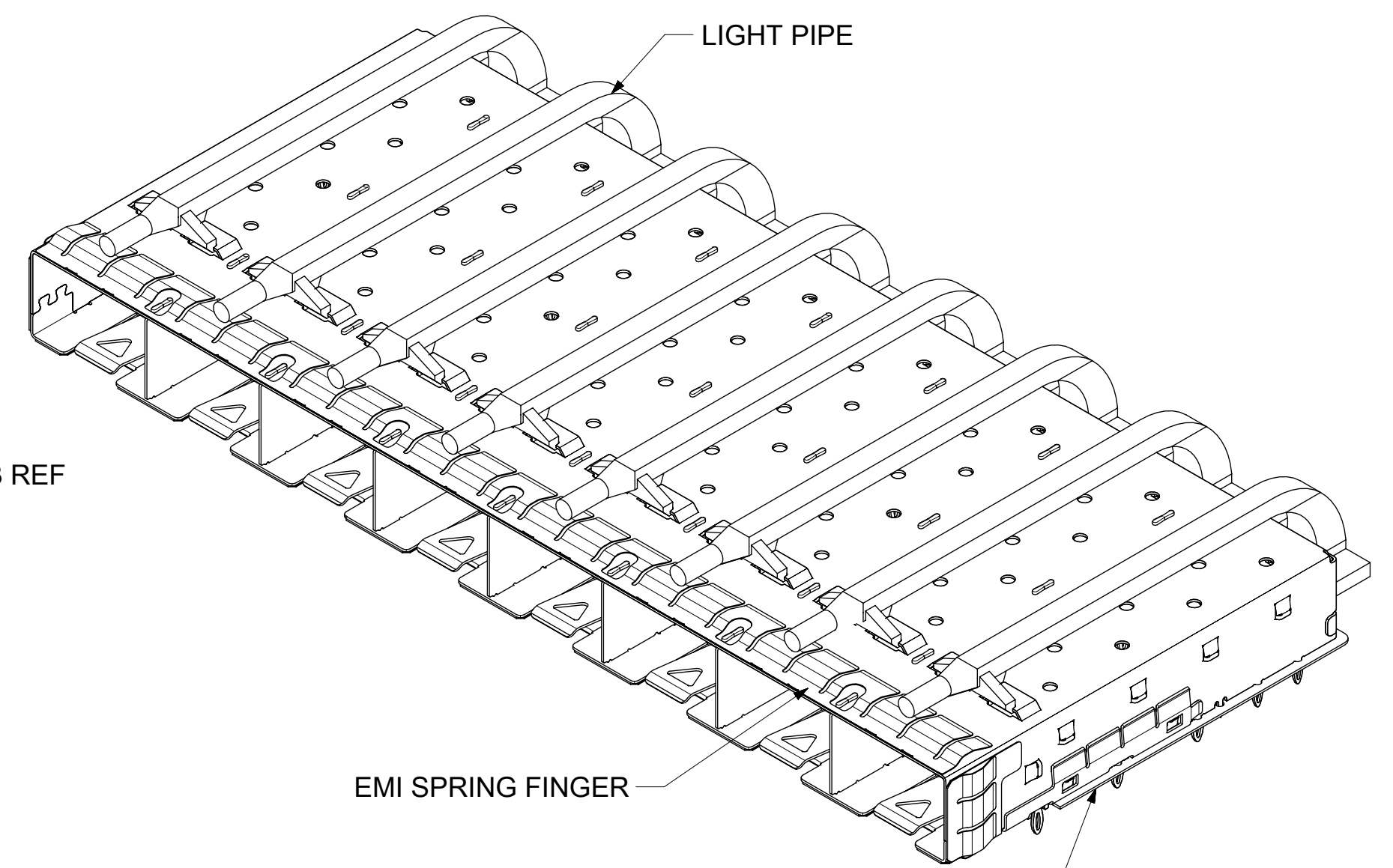
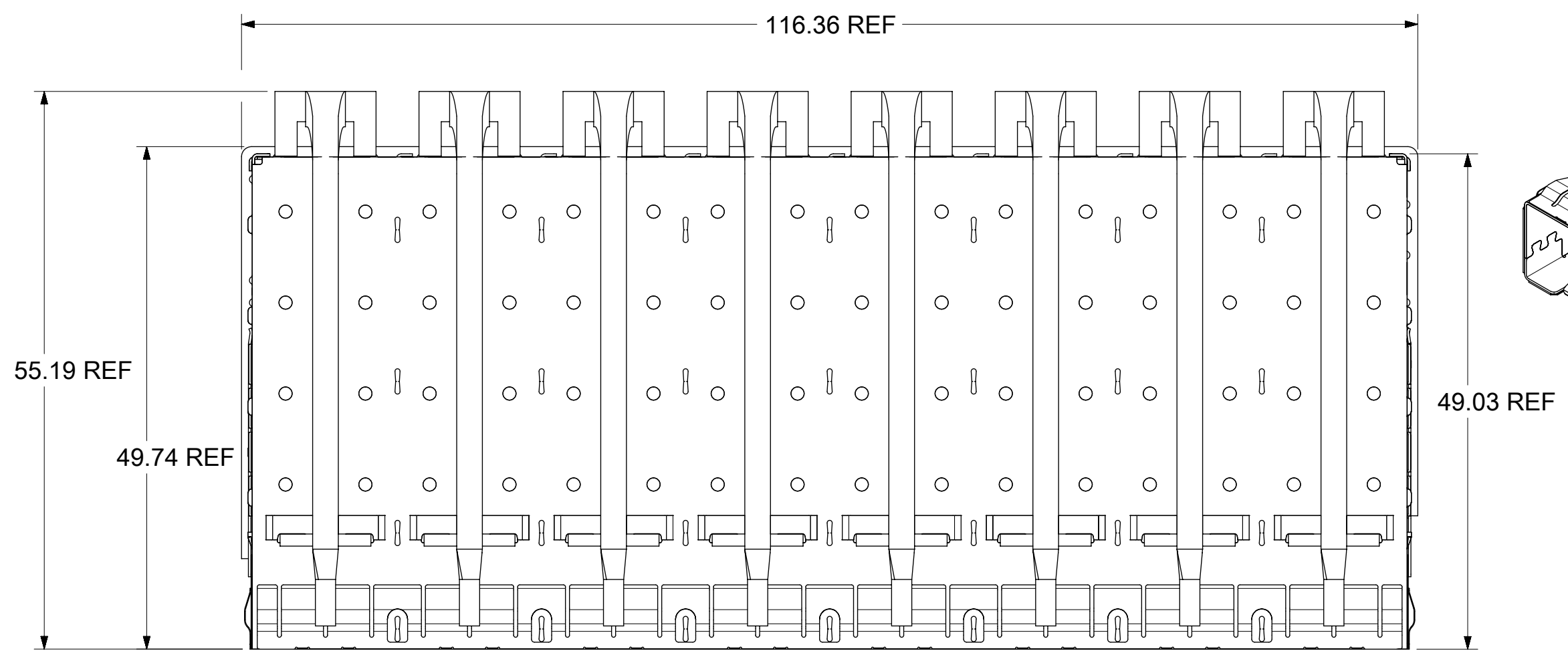


1004568901



PART NO. AND WEEK/YEAR DATE CODE TO BE PRINTED ON SIDE OF COMPLETED CAGE ASSEMBLY APPROXIMATELY AS SHOWN. SEE TABLE BELOW FOR DATE CODE INFORMATION.

NOTES:

- MATERIAL:
CAGE: 0.25mm THICK COPPER ALLOY, NICKEL PLATED.
SPRING FINGERS: STAINLESS STEEL.
LIGHT PIPE: POLYCARBONATE.
UNDER BELLY GASKET: EMI GASKET.
- PRESS FIT LEGS 2.20mm LONG
- PORTS ARE DESIGNED FOR SFP+ TRANSCEIVERS AND ARE COMPATIBLE WITH SFP TRANSCEIVERS. THE TOP SURFACE OF THE MODULE MUST BE FLAT (NO PRODUCT LABEL RECESS) AND THERMALLY CONDUCTIVE TO FUNCTION OPTIMALLY.
- WELD SPOT MAY SHOW SLIGHT MATERIAL DISCOLORATION.
- NO ROHS EXEMPTIONS.

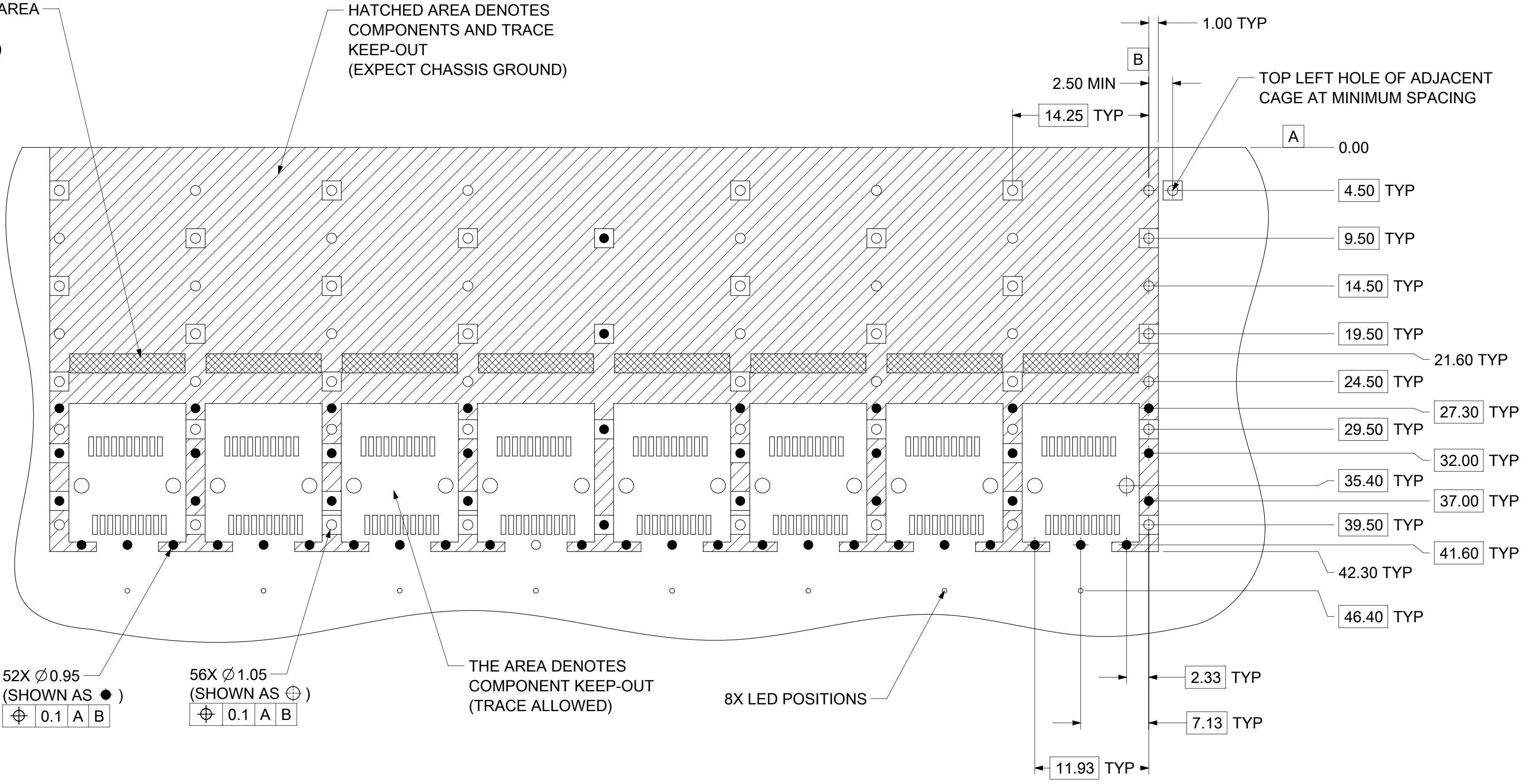
WEEK/YEAR DATE CODE TABLE	
WK	01 THRU 52 OR 53 EXAMPLE: 01 = FIRST WEEK OF YEAR 52 = LAST WEEK OF YEAR
YR	22, 23, 24 ETC. EXAMPLE: YEAR 2022 = 22

THIS DRAWING CONTAINS INFORMATION THAT IS PROPRIETARY TO MOLEX ELECTRONIC TECHNOLOGIES, LLC AND SHOULD NOT BE USED WITHOUT WRITTEN PERMISSION									
FUNCTIONAL SYMBOLS	DIMENSION UNITS	SCALE	CURRENT REV DESC: SEE REVISION TABLE						
$\nabla = 0$	mm	2:1	<p>EC NO: 707058 DRWN: PKH 2022/04/12 CHK'D: TKUMARKC 2022/05/24 APPR: SCHIEN 2022/05/27</p> <p>INITIAL REVISION: DRWN: PKH 2022/04/12 APPR: SCHIEN 2022/05/27</p>						
$\nabla = 0$	GENERAL TOLERANCES (UNLESS SPECIFIED)								
$\nabla = 0$	ANGULAR TOL ± 1.0°								
DIVISIONAL SYMBOLS	4 PLACES ±	3 PLACES ±	<p>PRODUCT CUSTOMER DRAWING</p> <p>DOCUMENT NUMBER: 1004568901 DOC TYPE: PSD DOC PART: ASY REVISION: A</p> <p>MATERIAL NUMBER: 1004568901 CUSTOMER: SHEET NUMBER: 1 OF 5</p>						
	2 PLACES ± 0.13	1 PLACE ± 0.25							
	0 PLACES ±								
DRAFT WHERE APPLICABLE MUST REMAIN WITHIN DIMENSIONS		THIRD ANGLE PROJECTION	DRAWING	SERIES					
			C-SIZE	100456					

PCB LAYOUT FOR BELLY TO BELLY MOUNT

CROSS HATCHED AREA GOES TO CHASSIS GROUND (NO OSP) 8 PLCS

HATCHED AREA DENOTES COMPONENTS AND TRACE KEEP-OUT (EXPECT CHASSIS GROUND)



52X Ø0.95 (SHOWN AS ●)
⊕ 0.1 A B

56X Ø1.05 (SHOWN AS ⊕)
⊕ 0.1 A B

THE AREA DENOTES COMPONENT KEEP-OUT (TRACE ALLOWED)

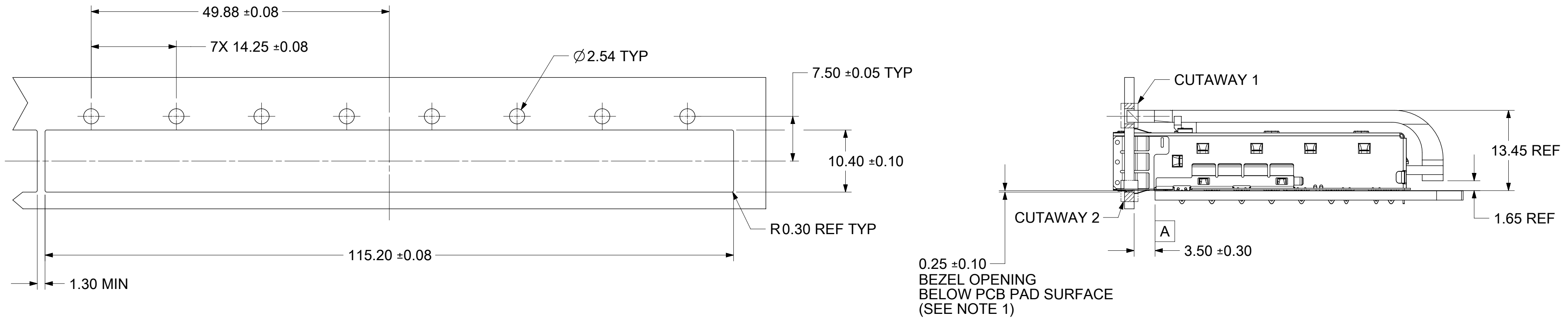
8X LED POSITIONS

NOTE:
SEE SHEET 2 FOR HOST CONNECTOR DETAIL

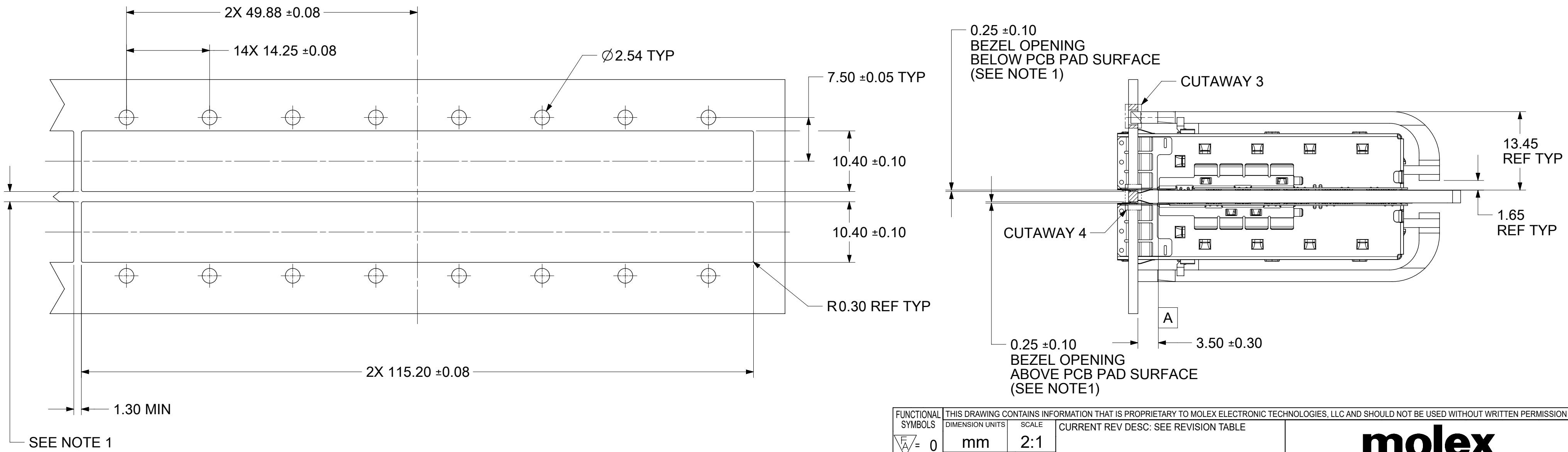
- NOTES:
- 1.PADS AND VIAS CONNECT TO CHASSIS GROUND (RECOMMEND PADS TO BE 2.00MM SQUARE)
 - 2.RECOMMENDED THRU HOLE PLATING INCLUDES HASL, OSP, OR IMMERSION (GOLD,SILVER, OR TIN).
 - 3.CONNECTOR PAD LAYOUT PER SFP+ MSA WILL ACCOMMODATE MOLEX CONNETOR SERIES 74441 OR EQUIVALENT.
 - 4.HOLE PATTERN REPEATS FOR EACH PORT. SPACING BETWEEN PORTS IS 14.25MM.
 - 5.MIN PCB THICKNESS FOR BELLY TO BELLY USE:2.25MM.

FUNCTIONAL SYMBOLS	THIS DRAWING CONTAINS INFORMATION THAT IS PROPRIETARY TO MOLEX ELECTRONIC TECHNOLOGIES, LLC AND SHOULD NOT BE USED WITHOUT WRITTEN PERMISSION		CURRENT REV DESC: SEE REVISION TABLE	
	DIMENSION UNITS	SCALE		
$\overline{A} = 0$	mm	3:1		
$\overline{C} = 0$	GENERAL TOLERANCES (UNLESS SPECIFIED)			
$\overline{P} = 0$	ANGULAR TOL ± 1.0°			
DIVISIONAL SYMBOLS	4 PLACES	±	EC NO: 707058	2022/04/12
	3 PLACES	±	DRWN: PKH	2022/05/24
	2 PLACES	± 0.13	CHK'D: TKUMARKC	2022/05/27
	1 PLACE	± 0.25	APPR: SCHIEN	
0 PLACES	±	INITIAL REVISION:		
DRAFT WHERE APPLICABLE MUST REMAIN WITHIN DIMENSIONS		THIRD ANGLE PROJECTION	DRAWING	SERIES
			C-SIZE	100456
DOCUMENT STATUS		P1	RELEASE DATE	2022/05/27 09:56:11
DOCUMENT NUMBER		CUSTOMER		SHEET NUMBER
1004568901		1004568901		3 OF 5
DOC TYPE		DOC PART	REVISION	
PSD		ASY	A	

BEZEL AND BOARD POSITION DIMESIONS FOR SINGLE SIDE MOUNTING



BEZEL AND BOARD POSITION DIMESIONS FOR BELLY TO BELLY MOUNTING



NOTE:
1. PCB THICKNESS VARIATION MUST BE CONSIDERED WITH DETERMININ BEZEL OPENING SIZE AND LOCATION.

THIS DRAWING CONTAINS INFORMATION THAT IS PROPRIETARY TO MOLEX ELECTRONIC TECHNOLOGIES, LLC AND SHOULD NOT BE USED WITHOUT WRITTEN PERMISSION									
FUNCTIONAL SYMBOLS	DIMENSION UNITS	SCALE	CURRENT REV DESC: SEE REVISION TABLE						
$\frac{F}{A} = 0$	mm	2:1	EC NO: 707058 DRWN: PKH CHK'D: TKUMARKC APPR: SCHIEN INITIAL REVISION: DRWN: PKH APPR: SCHIEN						
$\frac{F}{C} = 0$	GENERAL TOLERANCES (UNLESS SPECIFIED)								
$\frac{F}{P} = 0$	ANGULAR TOL $\pm 1.0^\circ$								
DIVISIONAL SYMBOLS	4 PLACES	\pm	2022/04/12	PRODUCT CUSTOMER DRAWING					
	3 PLACES	\pm	2022/05/24	DOCUMENT NUMBER					
	2 PLACES	± 0.13	2022/05/27	1004568901		PSD	ASY	A	REVISION
	1 PLACE	± 0.25		1004568901					
	0 PLACES	\pm		1004568901					
DRAFT WHERE APPLICABLE MUST REMAIN WITHIN DIMENSIONS			THIRD ANGLE PROJECTION	DRAWING	SERIES	MATERIAL NUMBER	CUSTOMER	SHEET NUMBER	
				C-SIZE	100456	1004568901		4 OF 5	

