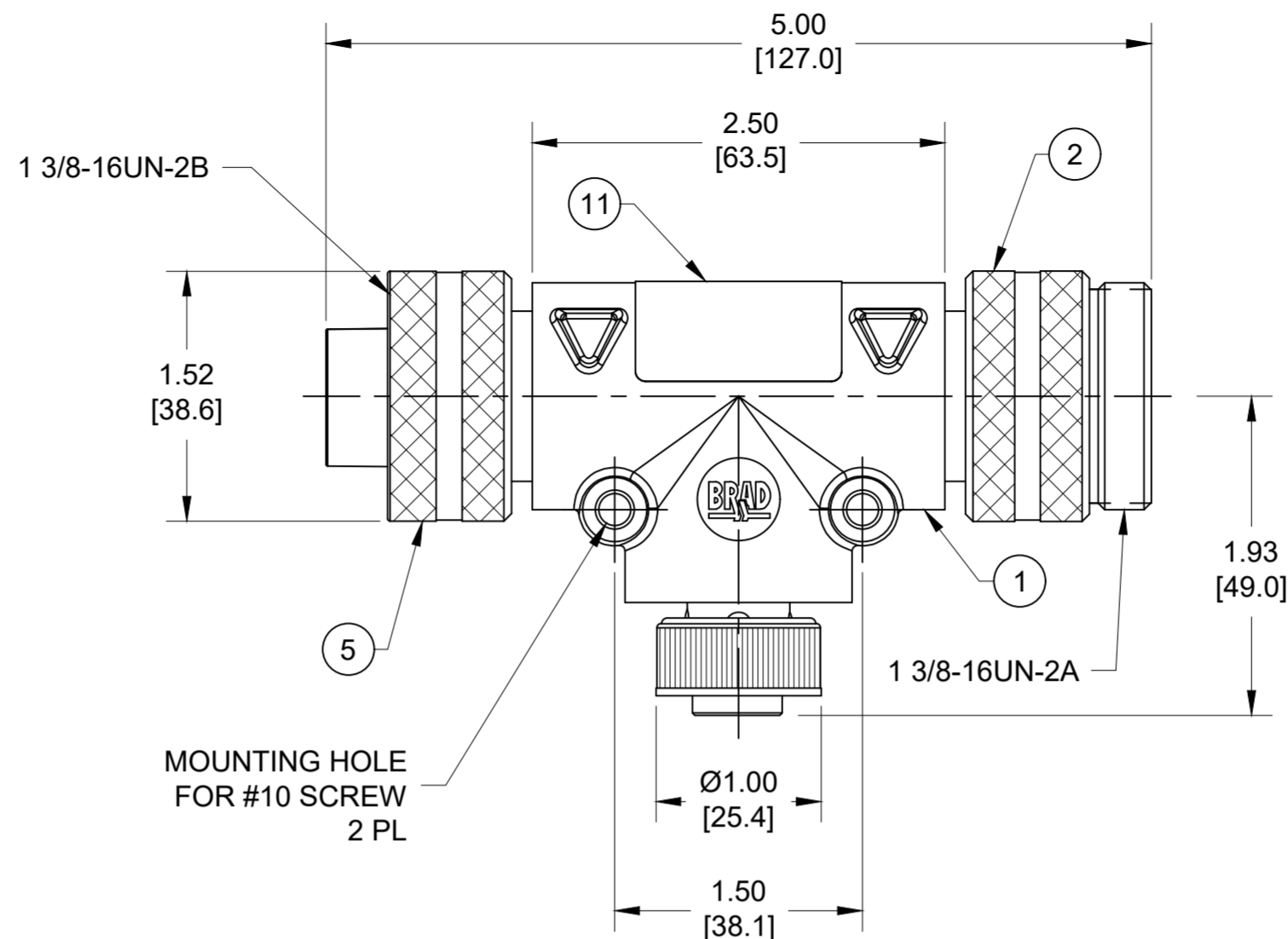
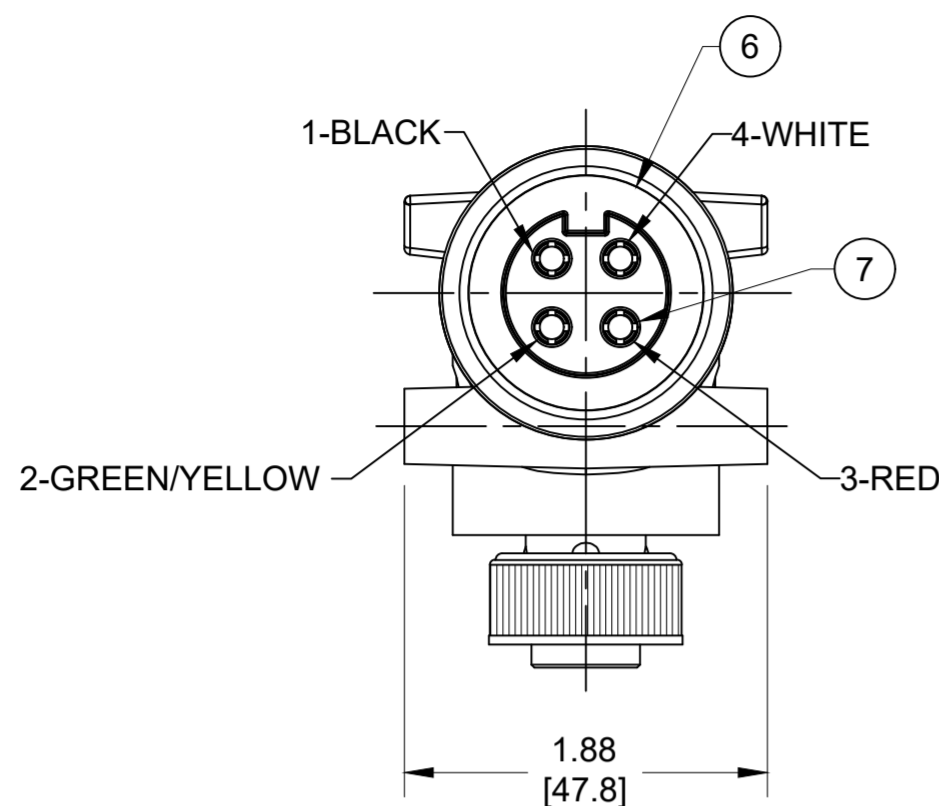
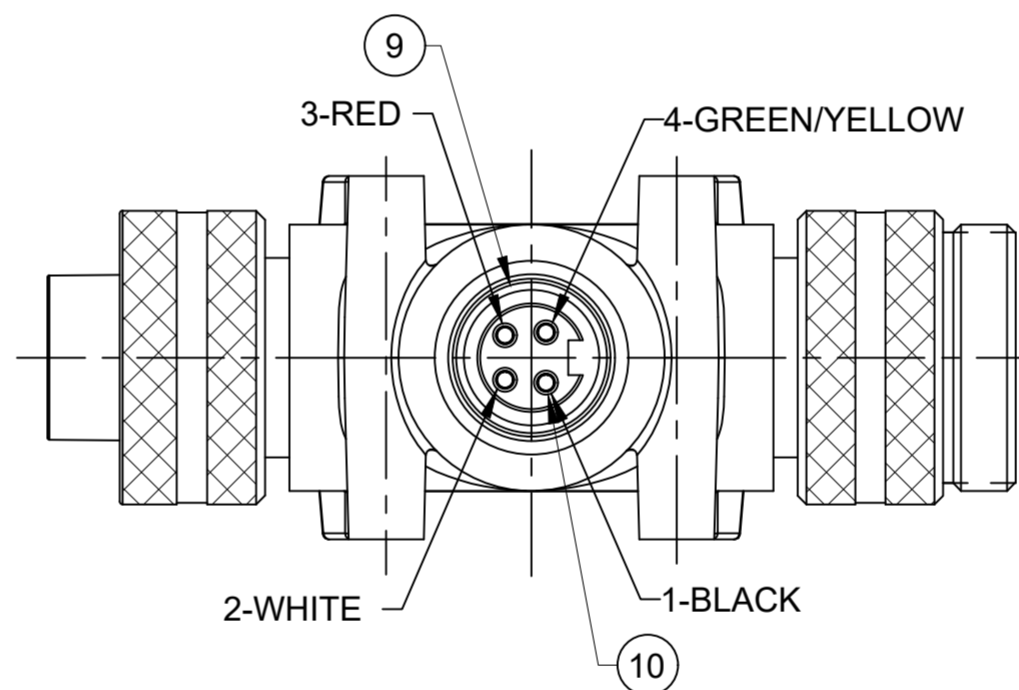
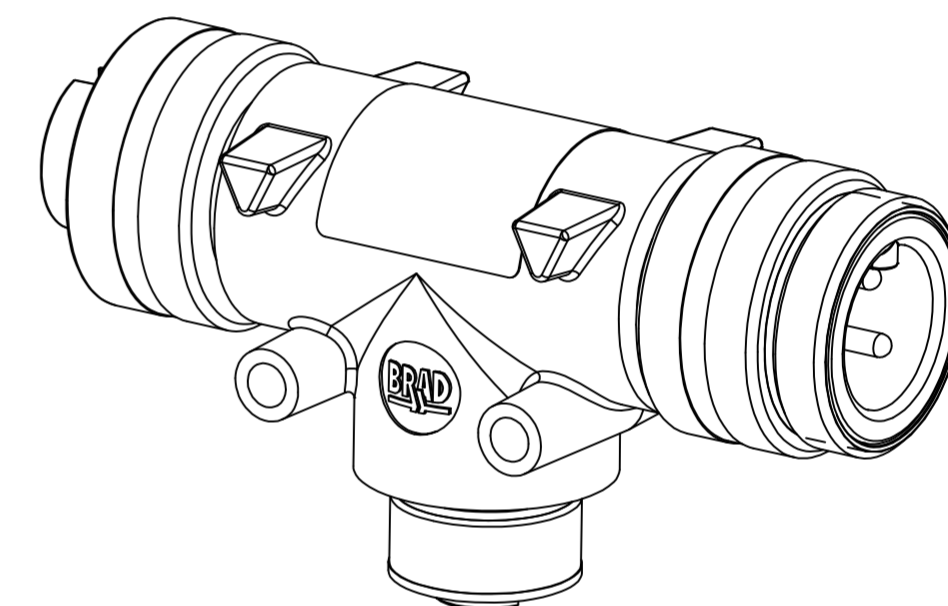
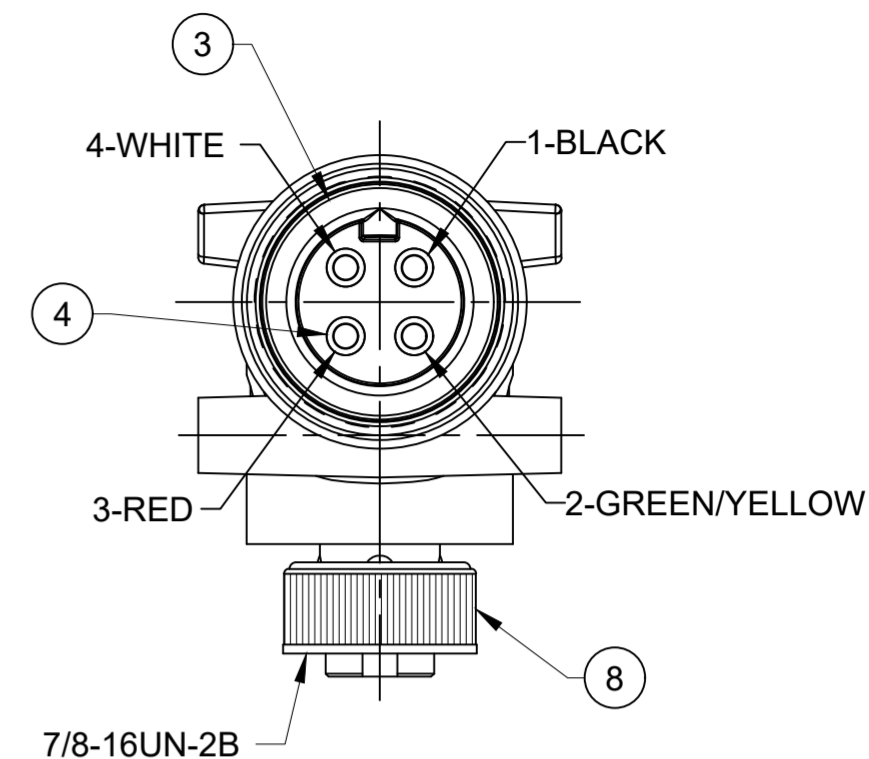


PART NUMBER	ENGINEERING NUMBER
1300680069	TC40140-200

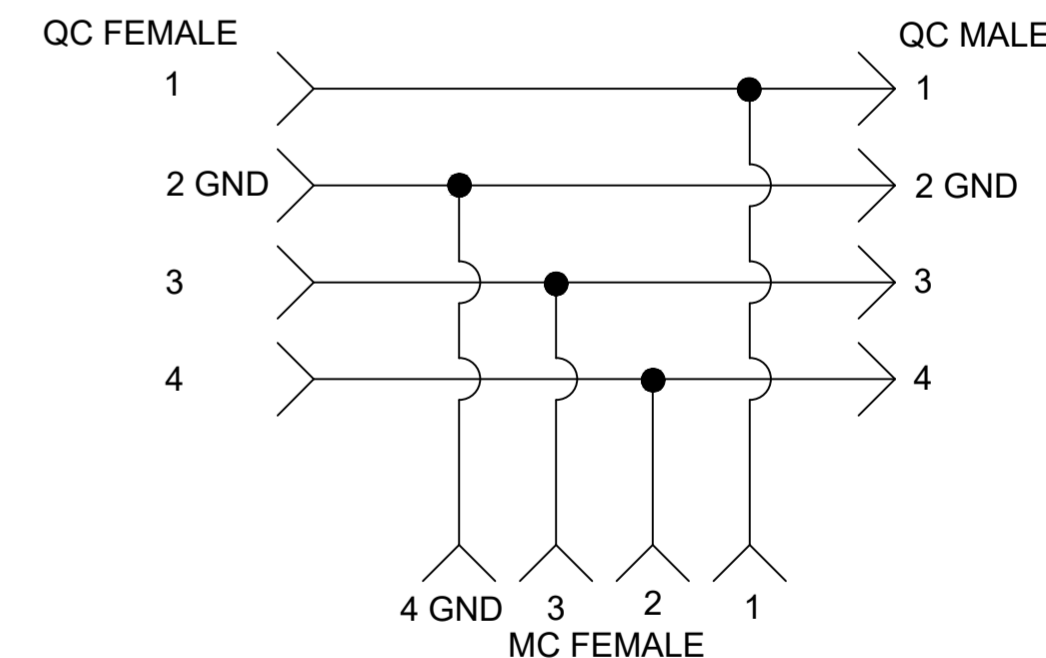
QC FEMALE FEACE VIEW



QC MALE FACE VIEW



MC FEMALE FACE VIEW



WIRE DIAGRAM

NOTES:

- 1. MATERIAL: AS NOTED
- 2. FINISH: AS NOTED
- 3. ELECTRICAL:  
VOLTAGE: 483V PER IEC60664  
600V PER UL2237
- (D) MAX THRU CURRENT: 32A  
MAX DROP CURRENT: 15A
- 4. TEMP RATING: -20° TO +90°C
- 5. PROTECTION: IP67 (WHEN MATED)
- 6. UL LISTED FILE: E258922
- 7. DIMENSIONS SHOWN ARE FOR REFERENCE UNLESS TOLERANCED OR NOTED OTHERWISE

11	LABEL	POLYESTER	BLACK/ORANGE
10	MC SOCKET CONTACT	COPPER ALLOY	GOLD PLATED
9	MC FEMALE INSERT	TPE	BLACK
8	MC FEMALE COUPLING NUT	ZINC ALLOY	BLACK E-COAT
7	QC SOCKET CONTACT	COPPER ALLOY	GOLD PLATED
6	QC FEMALE INSERT	TPE	BLACK
5	QC FEMALE COUPLING NUT	ALUMINUM	CLEAR ANODIZE
4	QC PIN CONTACT	COPPER ALLOY	GOLD PLATED
3	QC MALE INSERT	TPE	BLACK
2	QC MALE COUPLING NUT	ALUMINUM	CLEAR ANODIZE
1	OVERMOLD	TPE	GRAY
ITEM	DESCRIPTION	MATERIAL	FINISH

FUNCTIONAL SYMBOLS FA=0 FC=0 FP=0	THIS DRAWING CONTAINS INFORMATION THAT IS PROPRIETARY TO MOLEX ELECTRONIC TECHNOLOGIES, LLC AND SHOULD NOT BE USED WITHOUT WRITTEN PERMISSION		CURRENT REV DESC: REV CURRENT RATING SAME AS SD-130068-022, WAS 15A	
	DIMENSION UNITS	SCALE	EC NO: 690918	
	INCH/MM	NTS	DRWN: RSTONE	2022/01/04
	GENERAL TOLERANCES (UNLESS SPECIFIED)		CHK'D: MZIELINSKI	2022/01/27
DIVISIONAL SYMBOLS	4 PLACES	±----	APPR: BWOODMAN	2022/02/02
	3 PLACES	±----	INITIAL REVISION:	
	2 PLACES	±----	DRWN: KJOZWIK	2010/01/14
	1 PLACE	±----	APPR: JFMURPHY	2010/01/15
0 PLACES		±----	ANGULAR TOL ± ---- °	
DRAFT WHERE APPLICABLE MUST REMAIN WITHIN DIMENSIONS		THIRD ANGLE PROJECTION	DRAWING	SERIES
			C-SIZE	130068
DOCUMENT STATUS		P1	RELEASE DATE	2022/02/02 23:12:55
DOCUMENT NUMBER		DOC TYPE/DOC PART		REVISION
SD-130068-009		PSD 001		D
MATERIAL NUMBER		CUSTOMER		SHEET NUMBER
SEE P/N CHART		GENERAL MARKET		1 OF 1