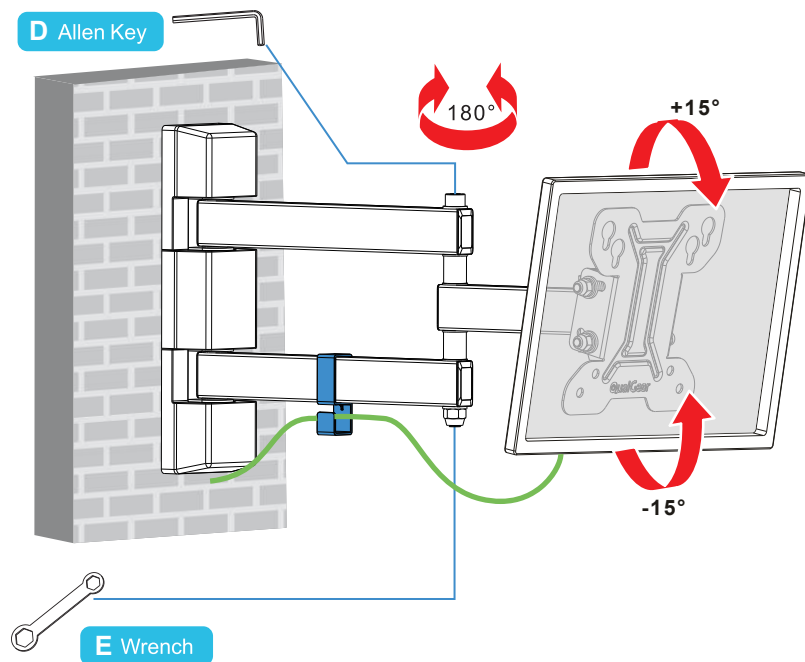


7 Adjustments



TV can be adjusted to a desired location by tilting and swiveling the bracket using Allen Key (D) and Wrench (E).

Maintenance

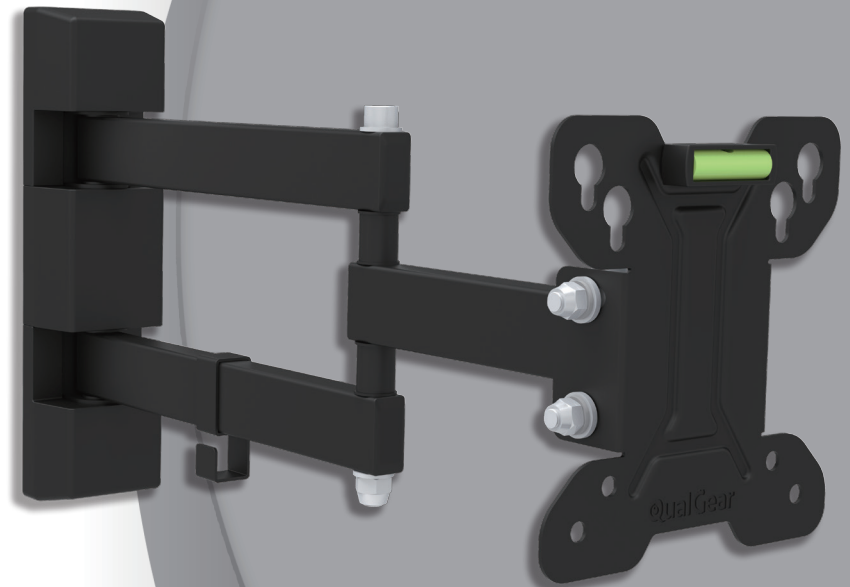
Please check that the TV wall mount is secure and safe to use at regular intervals. If you have any questions regarding any of the instructions or warnings, please contact your local distributor (OR) contact QualGear technical support via email at support@qualgear.com.


QualGear®



INSTALLATION MANUAL


QG-TM-007-BLK

ULTRA LOW PROFILE ARTICULATING TV WALL MOUNT



 For Most 13" to 27" Flat Screen TVs and Monitors

 **CAUTION!** Do not exceed the maximum rated weight specified. Otherwise, serious injury or property damage may occur. 

 **VESA**
75x75 | 100x100



www.qualgear.com

■ 1 Year Limited Warranty

■ Version August 2015

NOTE Please read the entire installation manual before you start installation and assembly.

WARNING

- Do not begin to install your QualGear product until you have read and understood all the instructions and warnings contained in this installation manual. If you have any questions regarding the instructions, for US customers please contact QualGear customer support via email at support@qualgear.com. For all international customers, please contact your local distributor.
- This product should only be installed by someone of good mechanical aptitude, has experience with basic building construction, and fully understands these instructions.
- This product was designed to be installed and utilized only as specified in this manual. Improper installation of this product may cause damage or serious injury. QualGear is not liable for the improper use or installation of its products.
- Make sure that the supporting surface will safely support the combined load of the equipment and all attached hardware and components.
- Always use an assistant or mechanical lifting equipment to safely lift and position the equipment.
- Tighten screws firmly, but do not over tighten. Over tightening can damage the items, greatly reducing their holding power.
- ALL QUALGEAR products are intended for indoor use only and any outdoor use voids the limited warranty.
- ALL QUALGEAR products are designed and tested for residential use only and any commercial use voids the limited warranty. For warranty information, please visit <http://www.qualgear.com/warranty.php>.
- If mounting to wooden studs, make sure that mounting screws are anchored into the center of the studs. Use of an edge-to-edge stud finder is highly recommended.
- Never exceed the maximum rated weight specified in this manual.
- All bolts and screws must be used at the designated points in the installation instructions to prevent property damage and/or personal injury.
- DO NOT install near air conditioner vents or where there is excessive dust or smoke.
- When drilling holes in the wall, it is very important to take care of electrical cables, water, or gas pipes in the wall.

This product was designed to be installed on the following wall construction only:

WALL CONSTRUCTION

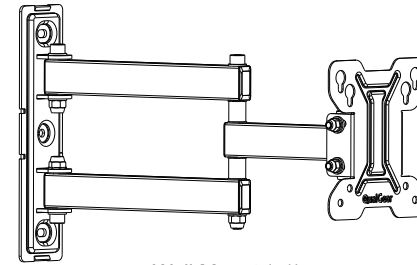
Wooden Stud
Wooden Beam
Solid Concrete
Brick
Other

HARDWARE REQUIRED

Included
Included
Included
Included
Contact Qualified Professional

Parts Checklist

IMPORTANT: Before starting installation, please check that all parts shown in this checklist are included. If any parts are missing or damaged, contact your local distributor or support@qualgear.com for replacement parts and do not start assembly and installation until you receive all the parts.



Wall Mount (x1)
A



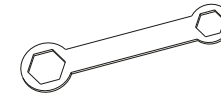
Decorative Cover (x1)
B



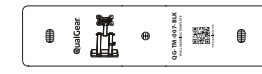
Cable Clip (x1)
C



6mm Allen Key (x1)
D



M6/M8 Wrench (x1)
E



Marking Template (x1)
F



Bubble Level (x1)
G

Hardware Package



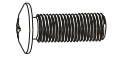
M3x12mm (x4)
M-A



M4x14mm (x4)
M-B



M5x14mm (x4)
M-C



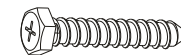
M6x14mm (x4)
M-D



D4 Washer (x4)
M-E



D5 Washer (x2)
M-F



ST6.3x65mm
Lag Bolt (x3)
W-A

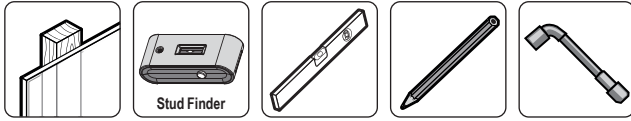


10x60mm
Concrete Anchor (x3)
W-B

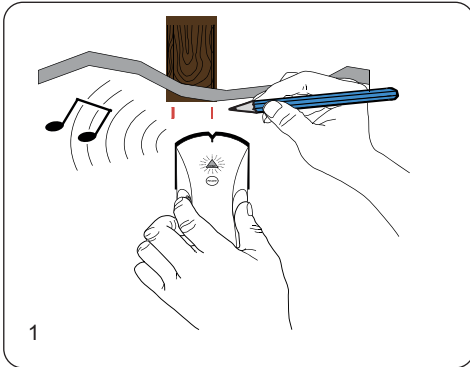


D6 Washer (x3)
W-C

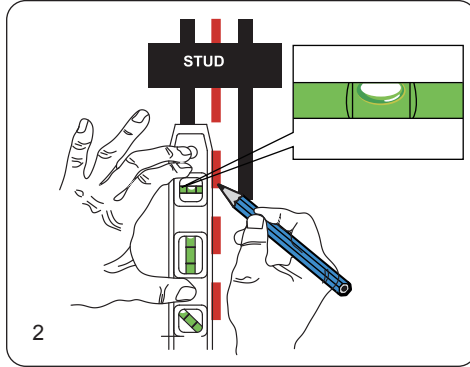
1a Mounting to a Wooden Stud Wall



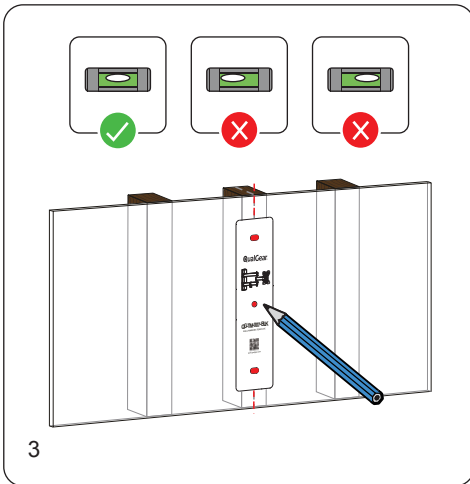
NOTE For concrete or brick wall mounting, follow Step 1b.



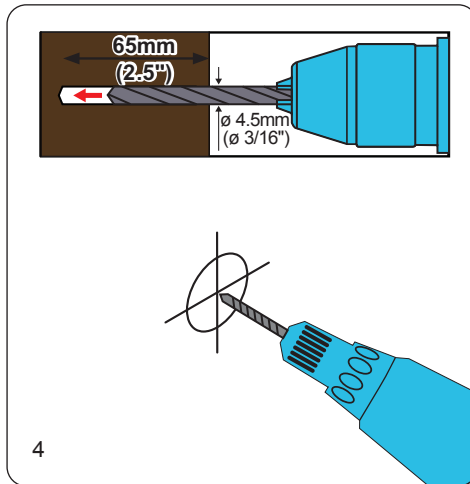
1 Using an edge-to-edge stud finder, find the edges of the stud.



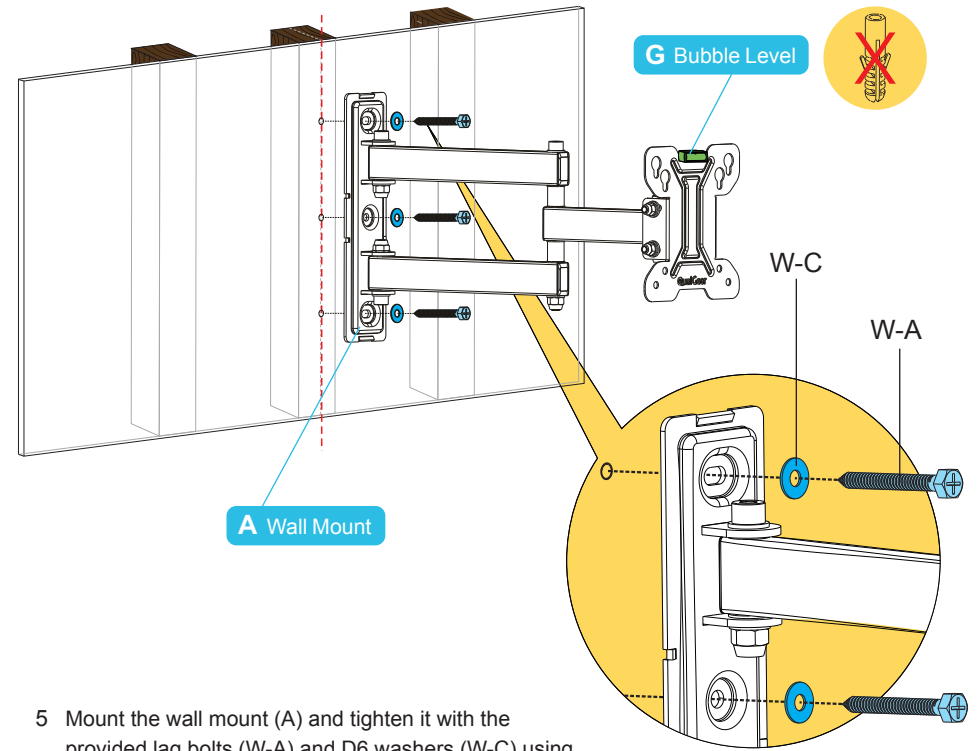
2 Using a level, mark the centerline of the stud.



3 Using the marking template (F) provided, mark three holes for drilling on the centerline of the stud.



4 Using a power drill and 3/16" drill bit, drill pilot holes of 3/16" (4.5 mm) diameter and at least 2.5" (65 mm) depth.



5 Mount the wall mount (A) and tighten it with the provided lag bolts (W-A) and D6 washers (W-C) using a socket wrench.

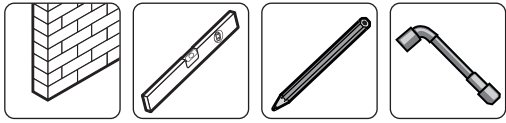
NOTE Do NOT use power drill and do NOT over tighten the lag bolts.

! WARNING

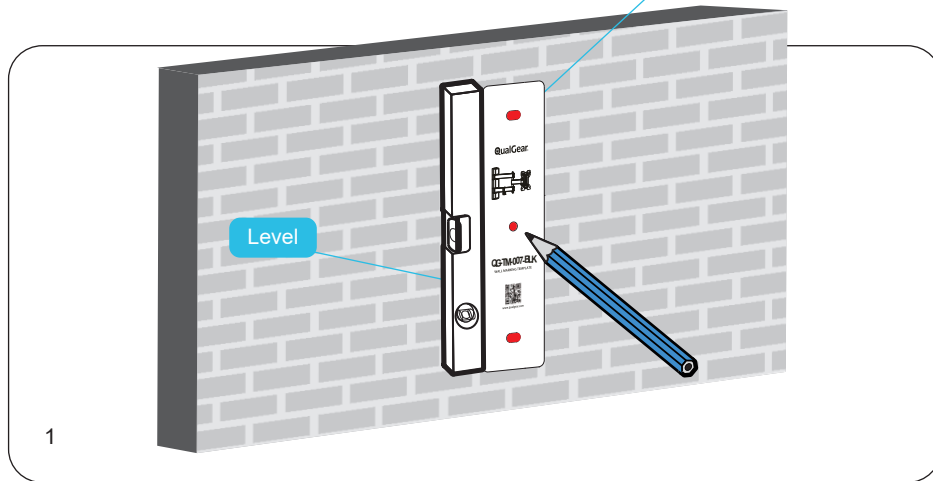
- Make sure that mounting screws are anchored into the center of the studs. The use of a stud finder is highly recommended.
- Installers are responsible to provide hardware for other types of mounting situations.
- Installers must verify that the supporting surface will safely support the combined weight of the equipment and all attached hardware and components.

SKIP TO STEP 2 →

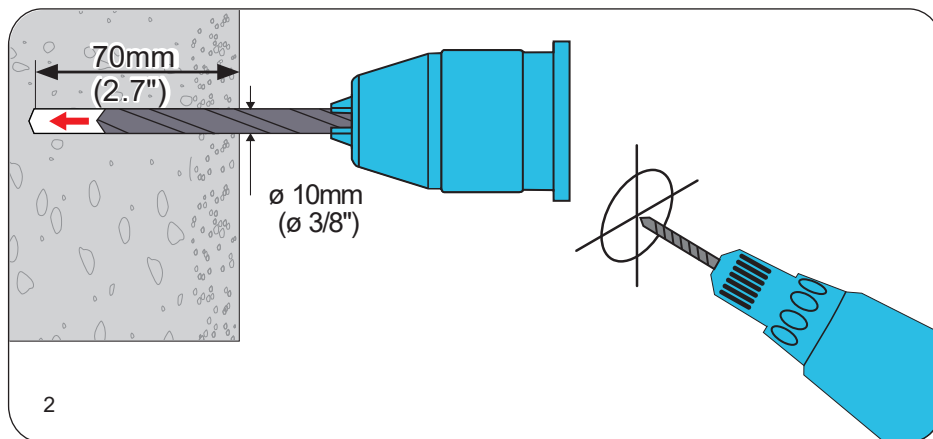
1b Mounting to a Concrete or a Brick Wall



F Marking Template

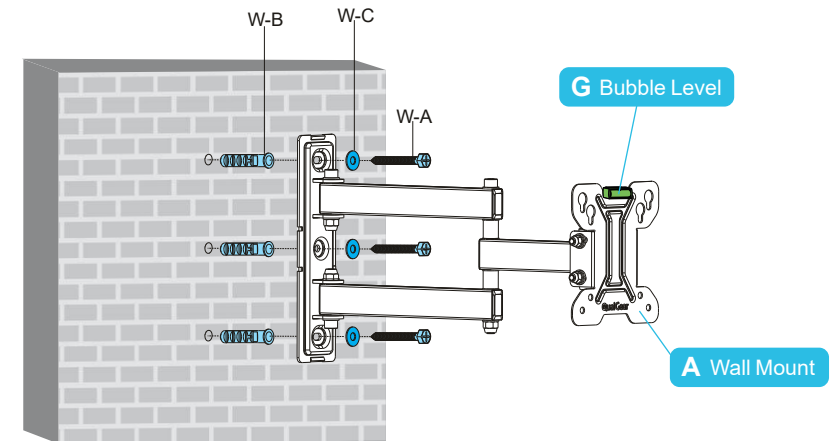


Hold the marking template (F) provided against the wall where you want to install the TV, mark three holes for drilling.



Using a power drill and a 3/8" masonry drill bit, drill mounting holes of 3/8" (10 mm) diameter and 2.7" (70 mm) depth at the marked locations in the previous step.

NOTE Do NOT use power drill and do NOT over tighten the lag bolts.

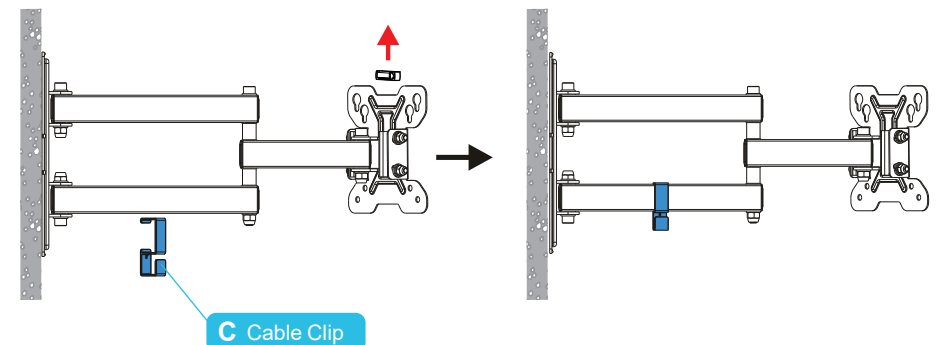


3 Place concrete anchors (W-B) in each hole. Tap each anchor flush with the wall using a hammer. Using a socket wrench, mount the wall mount (A) and fasten them with the provided lag bolts (W-A) and D6 washers (W-C).

WARNING

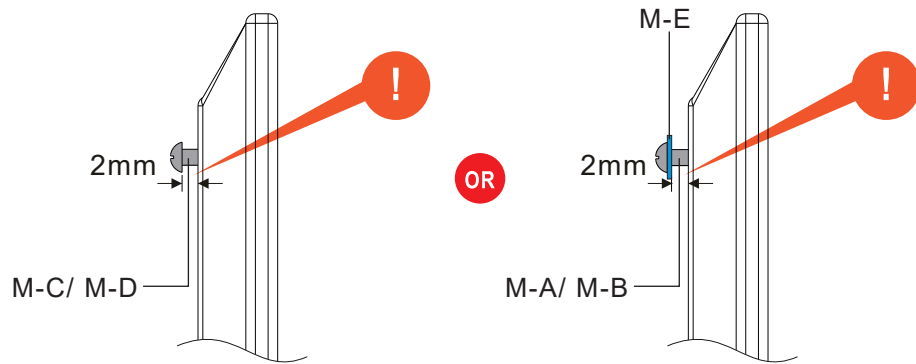
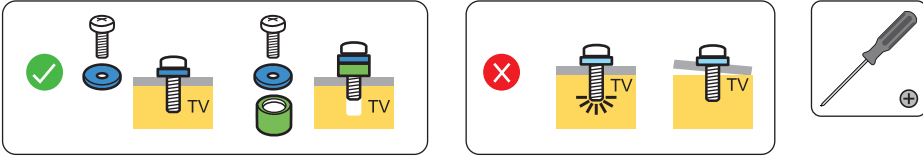
- Installers must verify that the supporting surface will safely support the combined weight of the equipment and all attached hardware and components.

2 Installing the Cable Clip

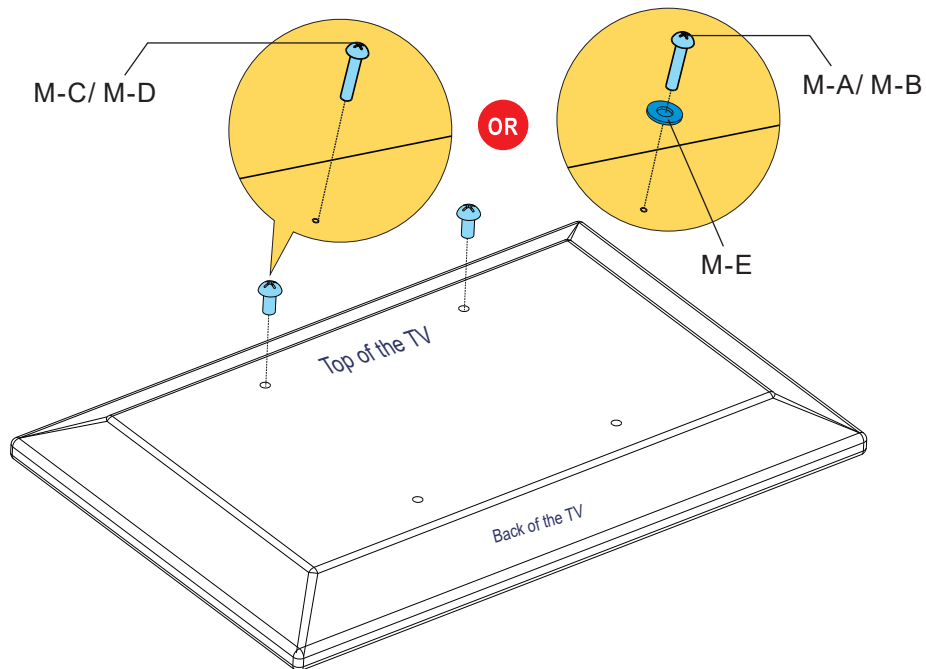


Install cable clip (C) to route cables to the TV as shown in the image and remove bubble level (G).

3 Preparing the TV for Mounting

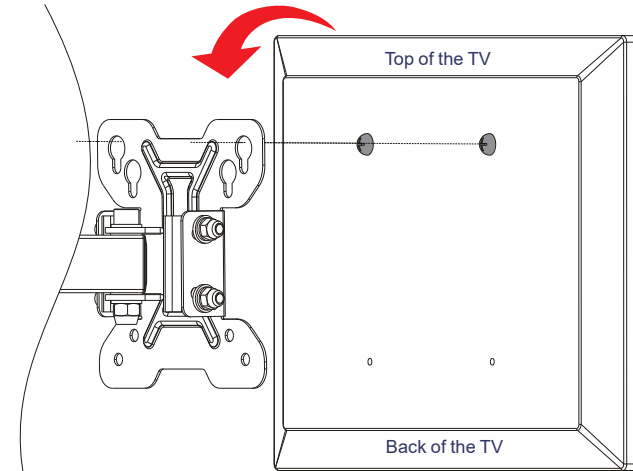


IMPORTANT! Install both screws into the upper mounting holes on the TV and tighten screws leaving a **2mm space** from the TV / spacers.

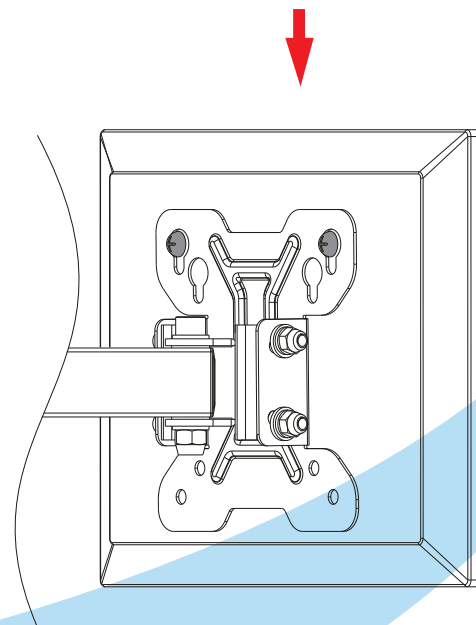


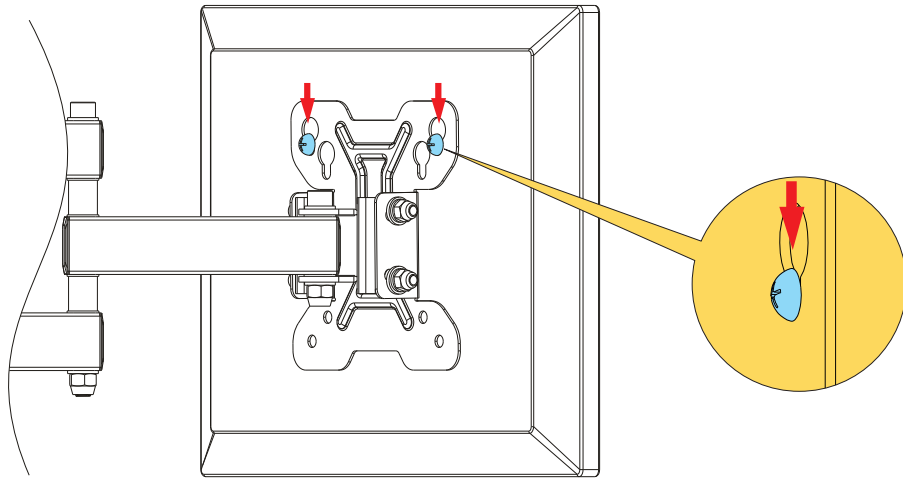
4 Mounting TV onto the Wall Mount

HEAVY!
Use an assistant
for this step.



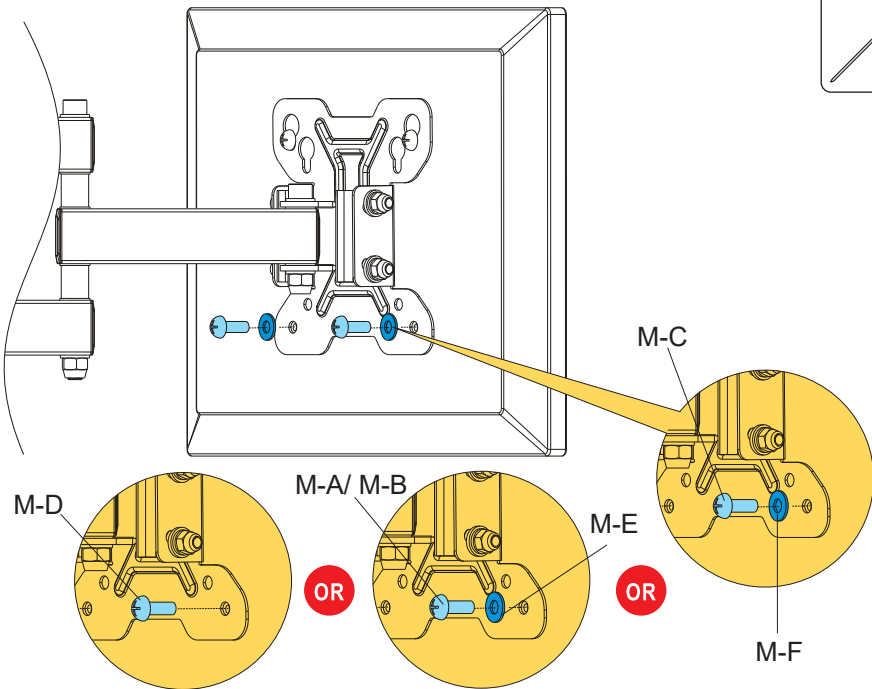
Lift your TV and guide the screws into the mounting holes on the mount





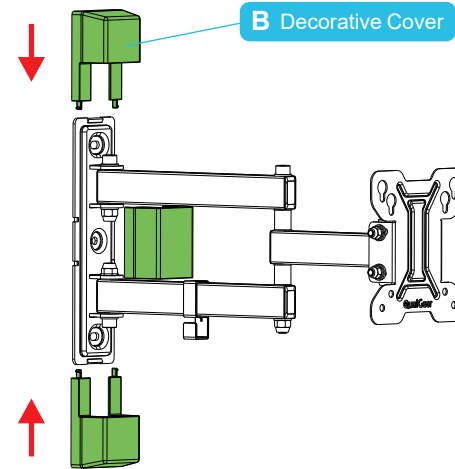
Then, lower the TV firmly into place.

! **IMPORTANT!** Tighten all screws but do NOT over tighten



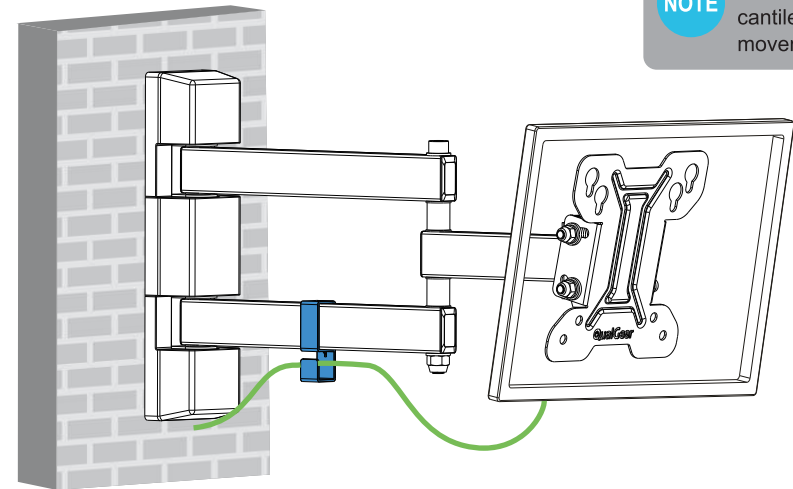
Choose the appropriate screws, washers (if necessary) according to the type of your TV, fasten screws through the lower mounting holes using a Phillips screwdriver.

5 Installing the Decorative Covers



6 Cable Management

NOTE Leave slack in the cables for cantilever arm movement.



Connect cables to your TV and route through the cable clip and along the arms.