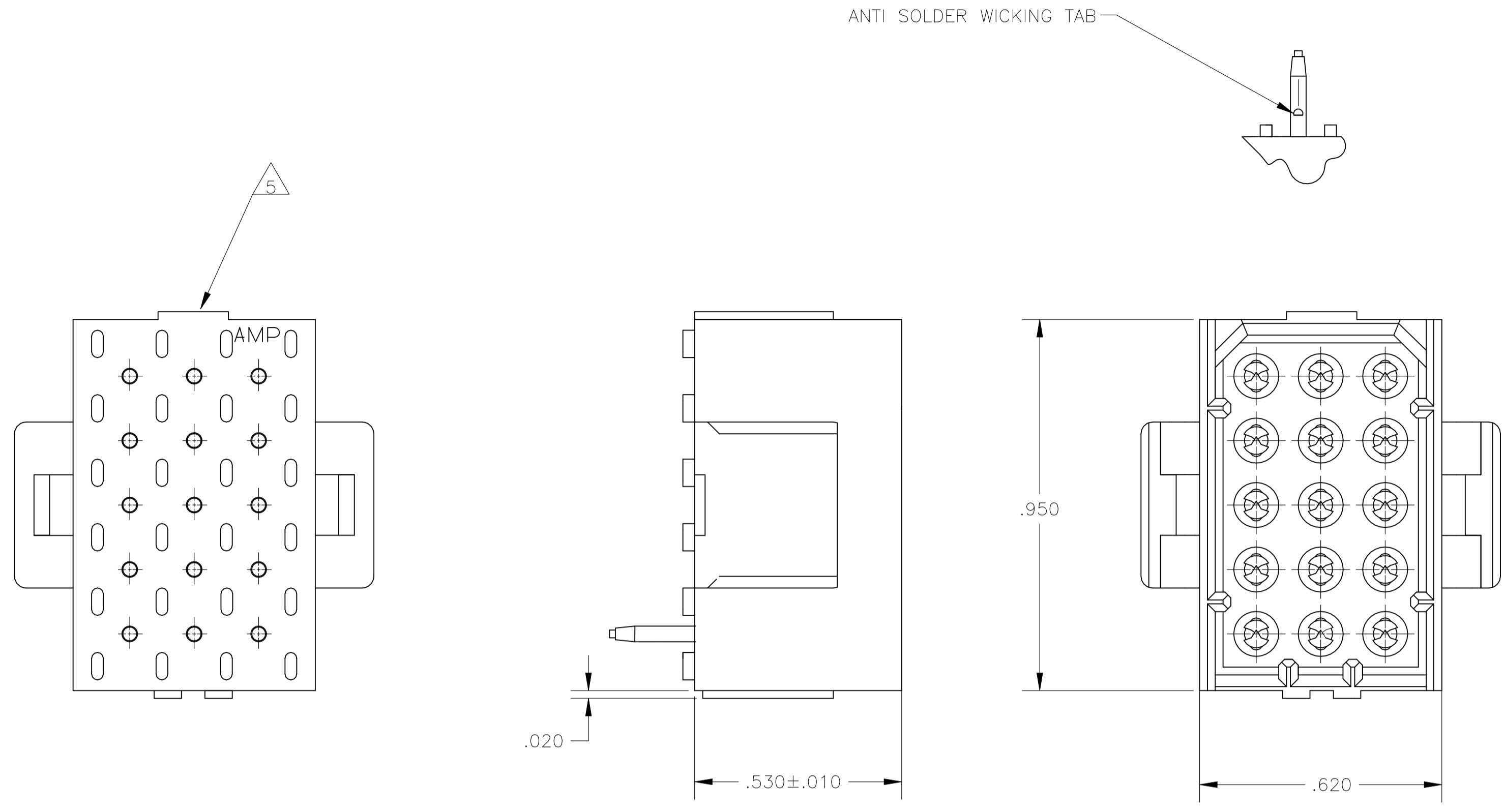
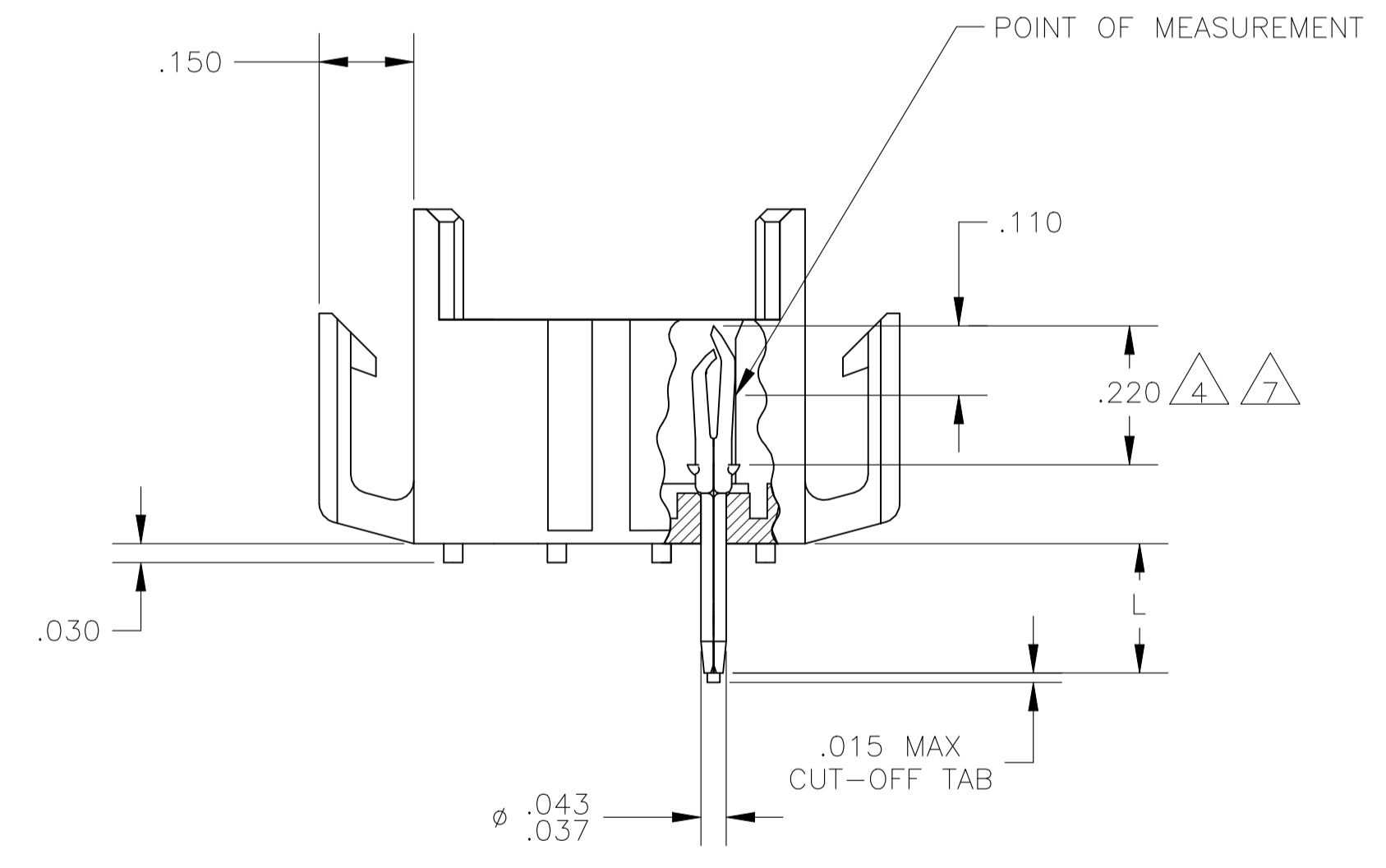
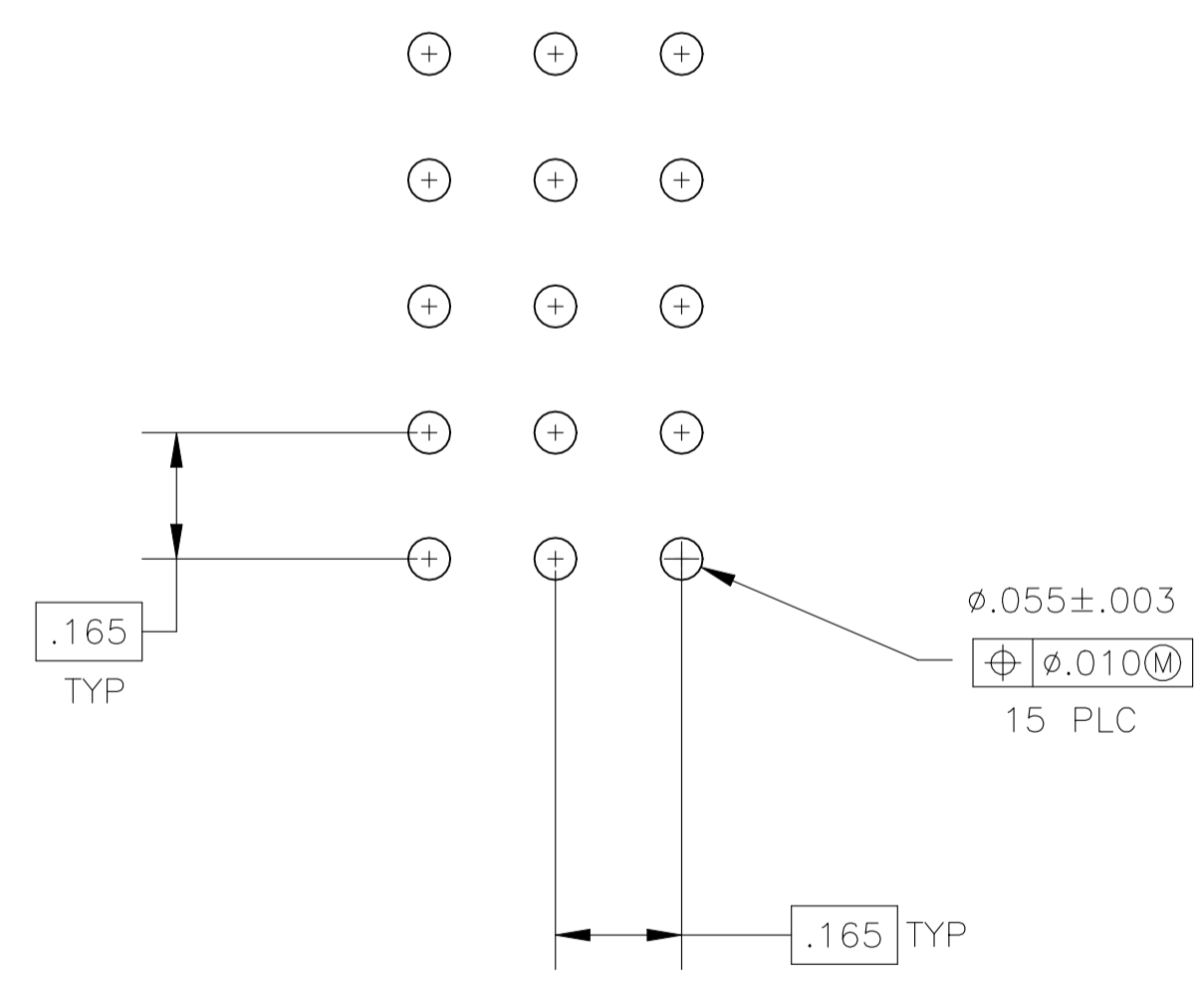


REVISIONS					
P	LTR	DESCRIPTION	DATE	DRN	APVD
S		ECO-21-006877	14DEC2021	RK	MZ



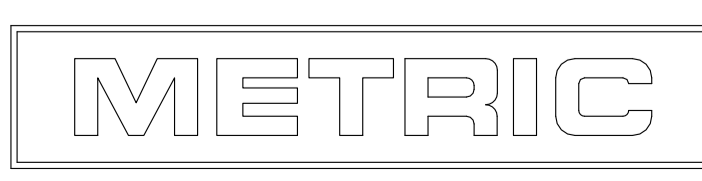
1. FITS SOCKET HOUSING 640523.
2. ASSEMBLY CONFORMS TO AMP SOLDERABILITY SPEC. 109-11-3.
3. FOR USE WITH .063 THICK P.C. BOARD.
4. CONTACT IS PLATED OVERALL WITH .000050 NICKEL, THEN .000030 GOLD OVER CONTACT LENGTH INDICATED AND .000150 MATTE TIN-LEAD ON SOLDER TAIL END.
5. UL AND CSA LOGO LOCATED ON THIS SURFACE.
6. FOR USE WITH .120 THICK P.C. BOARD.
7. CONTACT IS PLATED OVERALL WITH .000050 NICKEL, THEN .000030 GOLD OVER CONTACT LENGTH INDICATED AND .000150 MATTE TIN ON SOLDER TAIL END.
8. HOUSING MATERIAL: PA66, BLACK, UL 94 V-0 RATED
CONTACT MATERIAL: PHOSPHOR BRONZE



.210	6	GOLD	7	2-640503-4
.150	3	GOLD	7	2-640503-2
.210	6	GOLD	4	640503-4
.210	6	PRE-TIN		640503-3
.150	3	GOLD	4	640503-2
.150	3	PRE-TIN		640503-1
"L"	+0.10 -.020	PIN FINISH		PART NUMBER

IN	MM	IN	MM	IN	MM	IN	MM
.010	0.25	.055	1.40	.220	5.59	-	-
.008	0.20	.043	1.09	.210	5.33	-	-
.005	0.13	.037	0.94	.165	4.19	-	-
.003	0.08	.030	0.76	.150	3.81	.950	24.13
.000050	0.00127	.020	0.51	.110	2.79	.620	15.75
.000030	0.00076	.015	0.38	.063	1.60	.530	13.46

CONVERSION TABLE



THIS DRAWING IS A CONTROLLED DOCUMENT.

DIMENSIONS: INCHES	TOLERANCES UNLESS OTHERWISE SPECIFIED:	DIN J. HUFFMAN 28 APR 98	APVD T. REDDICK 28 APR 98	NAME
0. PLC ± -	1. PLC ± -	2. PLC ± -	3. PLC ± -.005	4. PLC ANGLES ± 0° 30'
MATERIAL	FINISH	SEE TABLE	WEIGHT	RESTRICTED TO

TE Connectivity

HEADER ASSEMBLY, PIN, 15 POSITION, MR.

SIZE: A1 00779 C=640503

SCALE: 4:1 SHEET 1 of 1 REV S