

ANALOG ICs

High-performance solutions for precision signal chain design



HIGH-PERFORMANCE SOLUTIONS FOR
PRECISION SIGNAL CHAIN DESIGN

ANALOG ICs

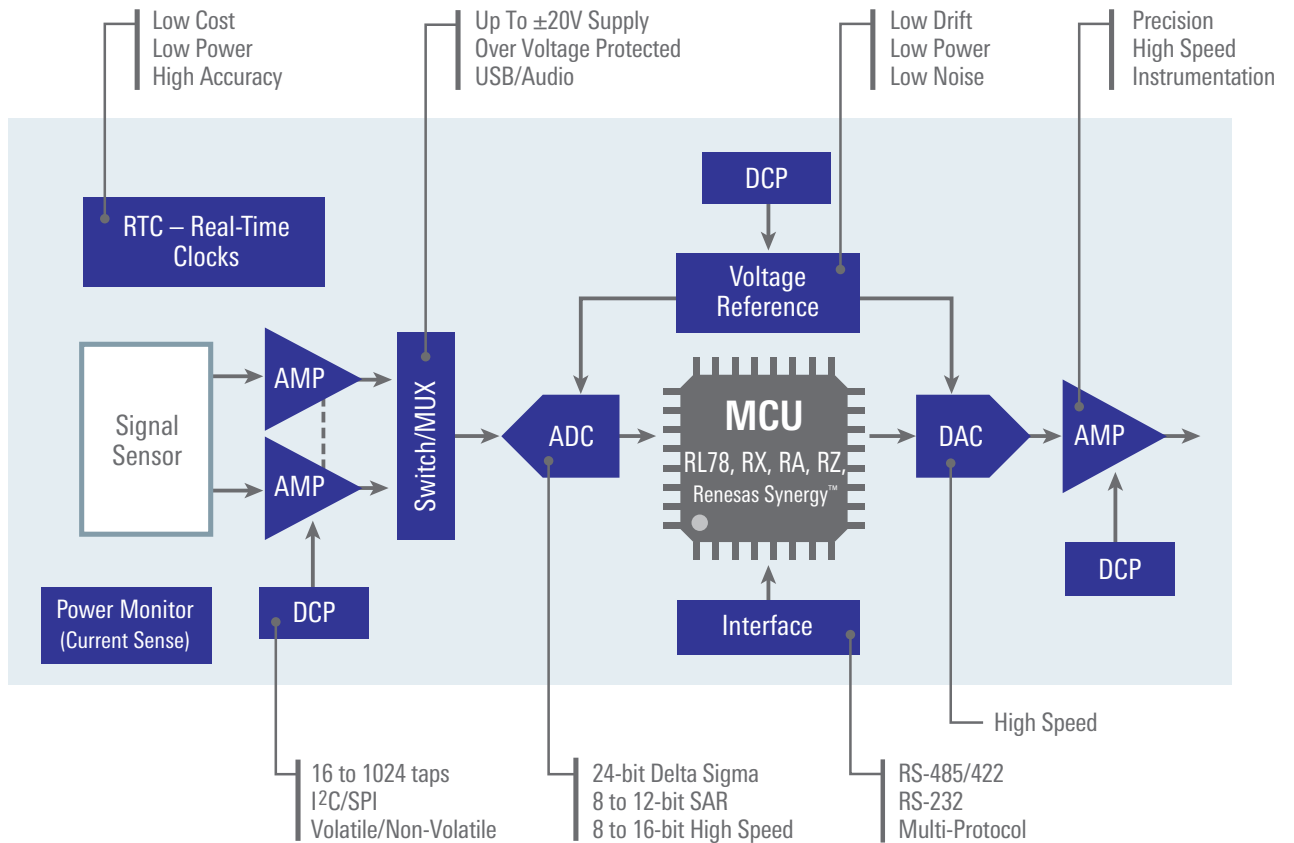


CONTENTS

Winning Combos.....	04	Timing	
Interface		Real-Time Clocks	18
Interface	05	Data Converters	
Amplifiers		High Speed ADC/DACs	19
Precision Op Amps.....	09	Precision Data Converters.....	20
Bipolar & CMOS Op Amps/Comparators	12	Digital Potentiometers Portfolio.....	21
Current Sensing.....	14	Voltage References	22
Optoelectronics		Reset IC	
Photocouplers	16	Voltage Detecting, System Resetting IC	23
		Switches & Multiplexers	
		Analog Switches	24

Complete Signal Chain Solutions

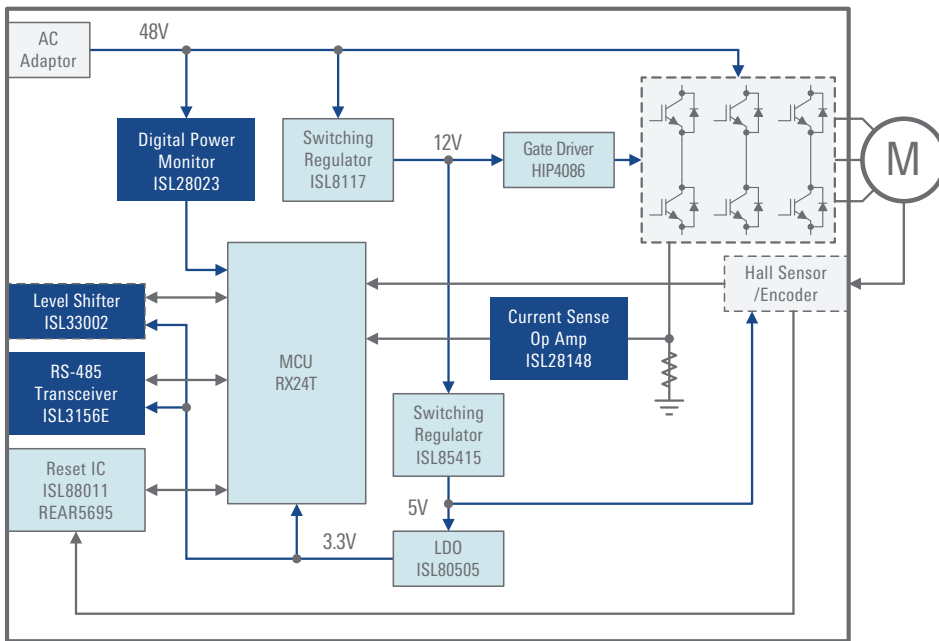
Renesas' broad precision analog portfolio provides a wide range of next-gen precision instrumentation, medical, communication, and industrial process control applications where innovation, reliability, and dependability is central to the analog designs



WINNING COMBOS

Renesas Industrial Signal Chain Solutions

Renesas offers dozens of Winning Combinations - expert designs showcasing Renesas' product portfolios of Embedded Processing, Analog, Power, and Connectivity. With these engineering-vetted designs, customers can take advantage of an elevated platform for their design ideas, accelerating their product development cycle and lowering their overall risk to bring their designs to market.



Featured Solution: 48V Position Control Solution

Solutions for BLDC motor applications have been increasing rapidly because of the demand for products that are smaller in size and provide high efficiency. The core of a BLDC motor design is a robust and reliable motor control circuit and a versatile MCU for a safe control algorithm. Key building blocks of a motor control circuit include a MOSFET driver, versatile MCU, voltage regulators, a cell balancer, and the battery charger. Analog Components highlighted in Blue.

Other Winning Combos featuring Analog products

Key Components	Key Features
ISL3156E	RS-485/RS-422 transceiver features high output drive and high ESD protection
ISL28023	High-side and Low-side digital current sense and voltage monitor with a serial interface
ISL8117	Synchronous Step-Down PWM Controller
HIP4086	3-Phase MOSFET Driver
ISL33002	I ² C Bus Buffer with Rise Time Accelerators and Hot Swap Capability
ISL88011	5 Ld Voltage Supervisor with Adjustable Power-On Reset, Dual Voltage Monitoring or Watchdog Timer Capability
RX24T	32-bit Microcontroller with On-chip FPU Enable to Drive Two Motors Simultaneously
ISL80505	High Performance Low Dropout Regulator
ISL85415	Synchronous Buck Regulator
ISL28148	Single Precision Rail-to-Rail Input-Output Op Amps with Very Low Input Bias Current

Bundle Code	Bundle Name	Segment
US041	Remote Monitoring System	Building Safety & Security
US043	48V Position Control	Factory Automation & Control
US017	Electronic Valve with Flow Meter	Appliances
US019	Remote Monitoring System (update from existing WC)	Building Safety & Security
CN039	Thermostat with Color Touchscreen and Cloud Connection	HVAC Systems
CN032	AC Servo Motor Control with Industrial Network Connections	Factory Automation & Control
CN032	AC Servo Motor Control with Industrial Network Connections	Factory Automation & Control
CN076	Edge Computing for Security Systems	Building Safety & Security
CN194	Over-The-Air Update Module for PLC Applications	Factory Automation & Control
CN104	Tankless Gas Water Heater with Remote User Control	Appliances
JP104	Robotics Solution with RZ/A2M	Robotics

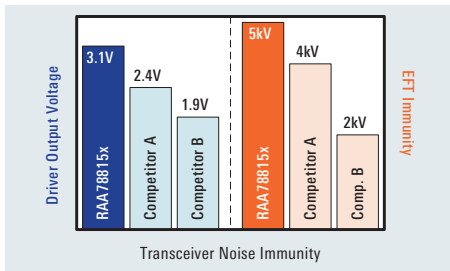
Interface

INTERFACE



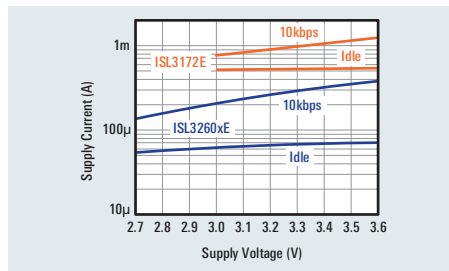
High Noise Immunity

The RAA78815x transceiver have Indutry's highest EFT Immunity and Output Drive.



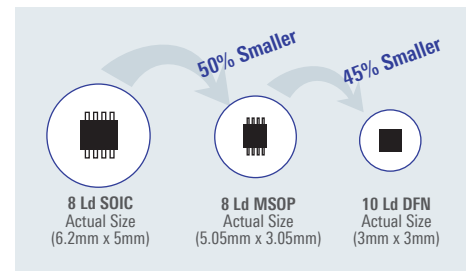
Ultra Low Supply Current

ISL3260xE Idle current is 9 times lower than that of low power transceiver ISL3172E.



Space-Saving Small Package

Reduced package size enables smaller, more compact products.



Broad Portfolio to Fit Your Needs

RS-485/422	RS-232	Multi-Protocol (RS-485 & RS-232)
<ul style="list-style-type: none"> High EFT immunity Transceivers (up to 5kV) High-speed Transceivers (20 to 100Mbps) Ultra-low Power Transceivers ($I_{cc} < 100\mu A$) Fault Protected Transceivers ($V_{BR} = \pm 60V$) 	<ul style="list-style-type: none"> Single, Dual, and Triple Transceivers (1 Tx/1 Rx, 2 Tx/2 Rx, 3 Tx/3 Rx) 8-Channel Transceivers (5 Tx/3 Rx and 3 Tx/5 Rx) 	<ul style="list-style-type: none"> Single and Dual Port devices Fixed and Programmable Ports Selectable RS-485 Speed (100kbps, 460kbps, 20Mbps)

RS-485/RS-422 Transceivers

RS-485 is a multi-point interface bus, meaning multiple drivers and receivers can be connected to one bus. RS-485 uses differential signaling to achieve high noise immunity. Its common-mode voltage range reaches from -7V up to +12V.

RS-422 is a multi-drop interface bus, meaning only one driver but multiple receivers can connect to one bus. RS-422 also uses differential signaling. Its common-mode voltage range however is smaller and ranges from -7V up to +7V.

Note that RS-485 transceiver can be used in RS-422 networks but not vice versa. RS-422 devices cannot be used in RS-485 systems.

Renesas has a 50-year history in interface transceivers and we are still a market leader today. We have a full portfolio of RS-485/RS-422 transceivers suited to most design needs.

Transceivers with High EFT Immunity per IEC61000-4-2

Transceiver Family	V _{CC} Range (V)	EFT (kV)	Data Rates (Mbps)	V _{OD} (typ) (V)	# Devices on bus	Half / Full Duplex	Bus ESD HD / FD (kV)	Quiescent I _{CC} (μA)(RX = on)	Temp Range (°C)
RAA78815x	4.5 – 5.5	5	0.115 / 1 / 20	3.1	256	HD / FD	16.5 / 10	550	-40 to +85
ISL315xE	4.5 – 5.5	2	0.115 / 1 / 20	3.1	256	HD / FD	16.5 / 10	550	-40 to +85
ISL317xE	3.0 – 3.6	2	0.25 / 0.5 / 20	2.0	256	HD / FD	16.5 / 10	480	-40 to +85

x = 0,2,3,5,6,8

High-Speed Transceivers (DR ≥ 40Mbps)

Part Number	V _{CC} Range (V)	Data Rate (Mbps)	V _{OD} (typ)(V)	Half / Full Duplex	Devices allowed on bus	Hot Plug	IEC ESD (kV)	I _{CC} (mA)	I _{SHDN} (μA)	Temp Range (°C)
ISL3179E	3.0 – 3.6	40	2.0	Half	160	Yes	±16.5	2.6	0.05	-40 to +125
ISL3180E	3.0 – 3.6	40	2.0	Full	160	Yes	±5	2.6	0.05	-40 to +85
ISL3159E	4.5 – 5.5	40	2.8	Half	160	Yes	±15	2.6	0.05	-40 to +125
ISL3160E	4.5 – 5.5	40	2.8	Full	160	Yes	±5	2.6	1.4	-40 to +125
ISL3259E	4.5 – 5.5	100	2.8	Half	160	Yes	±15	2.6	0.05	-40 to +85

Ultra-Low Power Transceivers

Part Number	# TX	# RX	V _{CC} Range (V)	Data Rates (kbps)	Duplex	# Devices allowed on bus	Bus ESD (kV)	Quiescent I _{CC} (μA)	I _{SHDN} (μA)	Temp Range (°C)
ISL32600E	1	1	2.7 – 3.6	256	Full	256	±15	70	0.01	-40 to +125
ISL32601E	1	1	2.7 – 3.6	256	Half	256	±15	70	0.01	-40 to +125
ISL32603E	1	1	1.8 – 3.6	460	Half	256	±15	150	0.01	-40 to +125
ISL32612E	0	1	1.8 – 3.3	256 / 500	–	256	±16.5	85	–	-40 to +125
ISL32614E	1	0	1.8 – 3.3	128 / 256	–	256	±16.5	100	0.01	-40 to +125

Single RS-485/422 Drivers and Receivers

Part Number	# TX	# RX	V _{CC} Range (V)	Data Rate (Mbps)	V _{OD} (typ) (V)	V _L Pin (V)	TX / RX Enables	IEC ESD (kV)	I _{CC} (μA)	Temp Range (°C)
ISL3295E	1	0	3.0 – 5.5	20	2.0 (V _{CC} = 3.0V) 3.4 (V _{CC} = 4.5V)	–	Active High	±16.5	120	-40 to +125
ISL3298E	1	0	3.0 – 5.5	20	2.0 (V _{CC} = 3.0V) 3.4 (V _{CC} = 4.5V)	1.6	Active High	±16.5	120	-40 to +125
ISL3280E	0	1	3.0 – 5.5	20	–	–	None	±16.5	400	-40 to +125
ISL3281E	0	1	3.0 – 5.5	20	–	–	Active High	±16.5	400	-40 to +125
ISL3282E	0	1	3.0 – 5.5	20	–	1.6	Active Low	±16.5	400	-40 to +125
ISL3283E	0	1	3.0 – 5.5	20	–	–	Active Low	±16.5	400	-40 to +125

Quad RS-422 Drivers and RS-485/422 Receivers

Part Number	# TX	# RX	V _{CC} Range (V)	Data Rate (Mbps)	V _{OD} (typ) (V)	V _L Pin (V)	TX / RX Enables	IEC ESD (kV)	I _{CC} (μA)	Temp Range (°C)
RAA7884QT	4	0	3.0 – 5.5	50	2.6 (V _{CC} = 3.0V) 4.0 (V _{CC} = 4.5V)	–	Group	±16.5	0.8	-40 to +125
ISL32172E	4	0	3.0 – 5.5	32	2.6 (V _{CC} = 3.0V) 4.0 (V _{CC} = 4.5V)	–	Group	±16.5	0.6	-40 to +125
ISL32272E	4	0	3.0 – 5.5	10	2.6 (V _{CC} = 3.0V) 4.0 (V _{CC} = 4.5V)	–	Group	±16.5	0.6	-40 to +125
ISL32174E	4	0	3.0 – 5.5	32	2.6 (V _{CC} = 3.0V) 4.0 (V _{CC} = 4.5V)	–	Paired	±16.5	0.6	-40 to +125
ISL32179E	4	0	3.0 – 5.5	32	2.6 (V _{CC} = 3.0V) 4.0 (V _{CC} = 4.5V)	1.6	Individual & Group	±16.5	0.6	-40 to +125
ISL32173E	0	4	3.0 – 5.5	80	–	–	Group	±16.5	15	-40 to +125
ISL32177E	0	4	3.0 – 5.5	80	–	1.6	Individual & Group	±16.5	15	-40 to +125
ISL32273E	0	4	3.0 – 5.5	20	–	–	Group	±16.5	5.5	-40 to +125
ISL32275E	0	4	3.0 – 5.5	20	–	–	Paired	±16.5	5.5	-40 to +125
ISL32277E	0	4	3.0 – 5.5	20	–	1.6	Individual & Group	±16.5	5.5	-40 to +125
RAA7884QR	0	4	3.0 – 5.5	80	–	–	Group	±16.5	15	-40 to +125

Overvoltage Protected Transceivers

Part Number	V _{CC} Range (V)	OVP (V)	CMVR (V)	Half / Full Duplex	Data Rates (Mbps)	Devices allowed on bus	Hot Plug	IEC ESD (kV)	I _{CC} / ISHDN (mA)	Temp Range (°C)
ISL3243xE	3.0 – 5.5	±40	±15	HD / FD	0.25 / 1.0	128	No	±15	2.1 / 0.01	-40 to +85
ISL3245xE	3.0 – 5.5	±60	±20	HD / FD	0.25 / 1 / 20	128	No	±15	2.1 / 0.01	-40 to +85
ISL3247xE	4.5 – 5.5	±60	±15	HD / FD	0.25 / 1 / 15	128	Yes	±16.5	2.3 / 0.01	-40 to +85
ISL3249xE	4.5 – 5.5	±60	±25	HD / FD	0.25 / 1 / 15	128	Yes	±16.5	2.3 / 0.01	-40 to +85

x = 0,2,3,5,6,8

RS-232 Transceivers

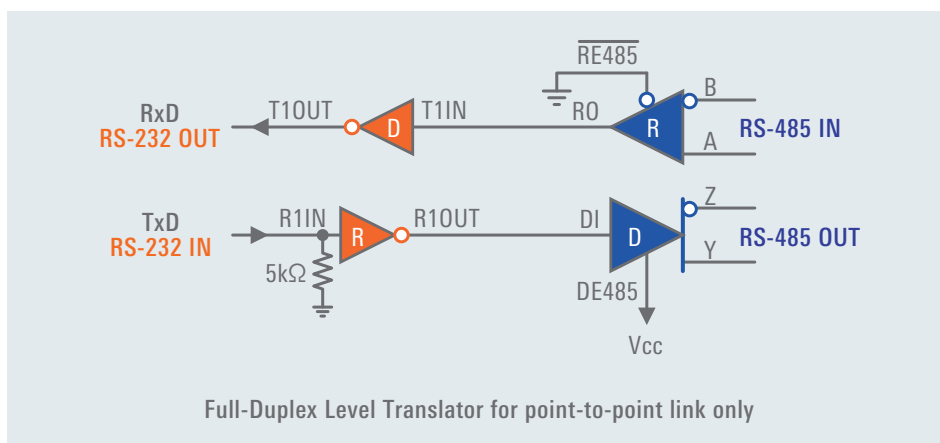
RS-232 is a point-to-point interface between two RS-232 transceivers. RS-232 using single-ended signaling but with positive and negative voltages, such as ±5V to ±13V.

RS-232 Transceivers with Single, Dual, and Triple Channels

Part Number	Data Rate (Mbps)	V _{CC} (V)	Shutdown* Man./Auto	High ESD (kV)	Temp Range (°C)	Package
SINGLE TRANSCEIVER (1 Tx / 1 Rx)						
ICL3221E	0.5	3 – 5	A (B)	15	-40 to +85	SSOP16, TSSOP16
ICL3226E	0.5	3 – 5	A (E)	15	-40 to +85	SSOP16
DUAL TRANSCEIVERS (2 Tx / 2 Rx)						
ICL3222E	0.5	3 – 5	M	15	-40 to +85	SOIC18, SSOP20, TSSOP20
ICL3223E	0.5	3 – 5	A (B)	15	-40 to +85	SSOP20, TSSOP20
ICL3224E	0.5	3 – 5	A (E)	15	-40 to +85	SSOP20
ICL3225E	1	3 – 5	A (E)	15	-40 to +85	SSOP20
ICL3232E	0.5	3 – 5	M	15	-40 to +125	SOIC16, SSOP16, TSSOP16, TSSOP20
ISL4223E	0.5	3 – 5	A (B)	15	-40 to +85	QFN20
TRIPLE TRANSCEIVERS (3 Tx / 3 Rx)						
ISL4270E	0.5	3.0 – 5.5	A (E)	15	-40 to +85	QFN32
ISL83387E	0.5	3.0 – 5.5	A (E)	15	-40 to +85	TSSOP24

Multi-Protocol Transceivers

Multi-Protocol transceivers support both RS-485 and RS-232 interface specifications. They can be used as compact interface solutions, or as interface bridges, converting signal from one standard to the other. Multi-Protocol transceivers are in single or dual port variants, where each port can be configured either as a full duplex RS-485 transceiver, or as a two-channel RS-232 transceiver.



Multi-Protocol Transceivers with Single and Dual Ports

Part Number	# Ports	Config.	Data Rate (Mbps)		Vcc (V)	VL-Pin (1.8V)	RXEN Polarity	Loopback	ESD (kV)	Temp Range (°C)	Package
			RS-485	RS-232							
ISL33337E	2	Fixed	20, 0.115	0.4	3	No	Low	No	15	-40 to +85	QFN40
ISL33354E	2	Fixed	20, 0.115	0.4	5	No	Low	No	15	-40 to +85	SSOP28
ISL81387	1	Prog.	20, 0.46, 0.115	0.65	5	No	High	Yes	15	-40 to +85	SOIC20, SSOP20
ISL41387	1	Prog.	20, 0.46, 0.115	0.5	5	Yes	High and Low	Yes	15	-40 to +85	QFN40
ISL3330	1	Prog.	20, 0.46	0.4	3	No	High	Yes	15	-40 to +85	SSOP20
ISL3331	1	Prog.	20, 0.46, 0.115	0.4	3	Yes	High and Low	Yes	15	-40 to +85	QFN40
ISL81334	2	Prog.	20, 0.46, 0.115	0.65	5	No	None	Yes	15	-40 to +85	SOIC28, SSOP28
ISL41334	2	Prog.	20, 0.46, 0.115	0.5	5	Yes	Low	Yes	15	-40 to +85	QFN40
ISL3332	2	Prog.	20	0.4	3	No	None	Yes	15	-40 to +85	SSOP28
ISL3333	2	Prog.	20, 0.46, 0.115	0.4	3	Yes	Low	Yes	15	-40 to +85	QFN40

Amplifiers

PRECISION OP AMPS: $V_{OS} < 1\text{mV}$

Unmatched Precision When Accuracy Matters

Zero Drift Amplifiers (Low Voltage Precision Op Amps)

ISL28134, ISL28x33, ISL28x30

Chopper-stabilized amplifiers (Zero Drift Amplifiers) offer one of the best solutions, for achieving the lowest offset voltage and drift. These amplifiers achieve high DC precision through a continuously running calibration mechanism that is implemented on-chip.

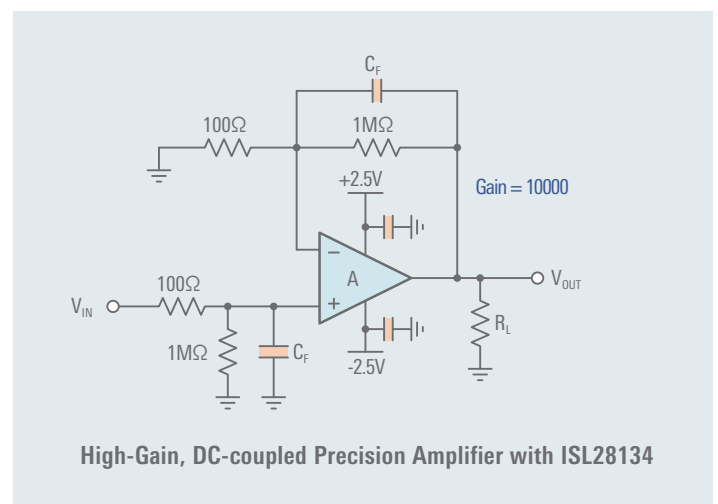
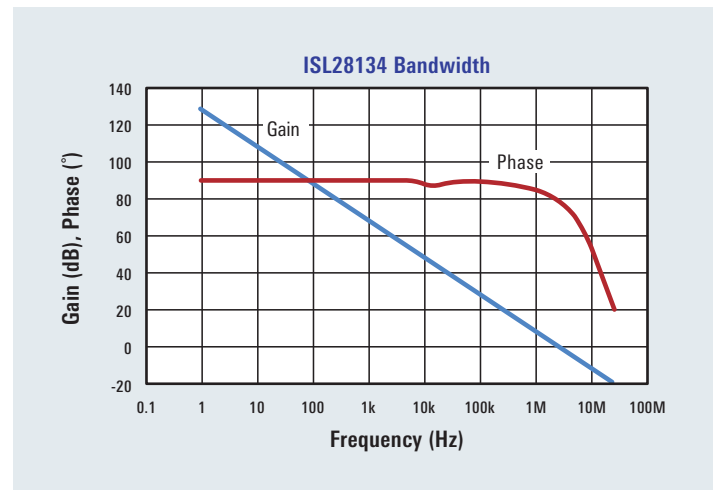
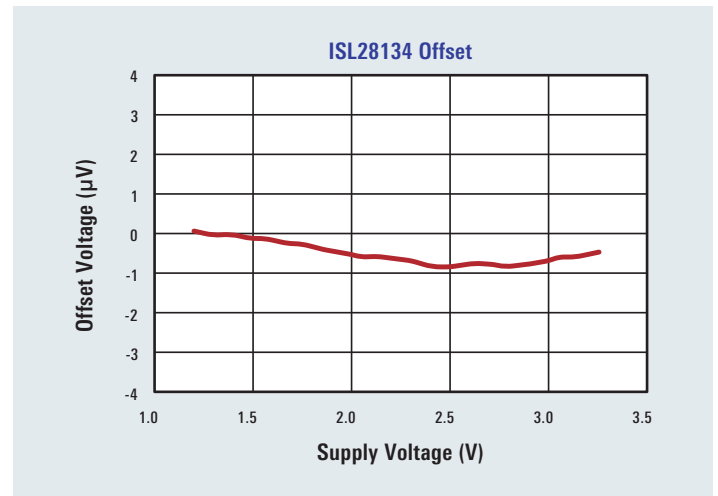
Key Features ISL28134

- Low offset voltage over supply range (typically $< 0.2\mu\text{V}$)
- Low offset voltage over temperature (typically $< 0.5\text{nV}/^\circ\text{C}$)
- No 1/f noise
- Low wideband noise (typically $8\text{nV}/\sqrt{\text{Hz}}$)
- Very high open loop gain (174dB)
- Wide Bandwidth (3.5MHz)
- Packages: Standard SOIC-8 and Tiny SOT-23-5 (2.9mm x 2.8mm)

Applications

High-Precision Signal Conditioners

- High-Gain Amplifiers
- Current Sensing
- Temperature Measurements
- Weight Scales
- Instrumentation
- Medical Equipment



Part Number	Channels (#)	Supply Range (V)	V_{OS} (Max) (mV)	I_{BIAS} (nA)	I_S (per amp) (mA)	Bandwidth (MHz)	Slew Rate (V/ μs)	Rail-to-Rail	Noise (nV/ $\sqrt{\text{Hz}}$)
ISL28x30	x = 1, 2, 4	1.8 – 5.5	0.04	0.25	0.02	0.4	0.2	In/Out	65
ISL28x33	x = 1, 2, 4	1.8 – 5.5	0.008	0.03	0.018	0.4	0.2	In/Out	65
ISL28134	1	2.25 – 6	0.0025	0.12	0.675	3.5	1.5	In/Out	8

Amplifiers

High-Voltage Precision Op-Amps

Our high-voltage precision amplifiers feature low noise, high slew rate, and very low offset voltage, making them the ideal choice for applications where precision and low noise are important, such as precision medical and analytical instrumentation, sensor conditioning, precision power supply controls, industrial controls, and photodiode amplifiers. All devices operate over the extended temperature range from -40°C to +125°C.

Part Number	Channels (#)	Supply Range (V)	Vos (Max) (mV)	IBIAS (nA)	IS (per amp) (mA)	Bandwidth (MHz)	Slew Rate (V/μs)	Noise (nV/√Hz)	Temperature Range (°C)
ISL28x07	x = 2, 4	4.5 – 40	0.075	0.015	0.21	1	0.32	13	-40 to 125
ISL28x08	x = 1, 2, 4	3 – 40	0.15	-13	0.185	1.2	0.45	16	-40 to 125
ISL28x10	x = 1, 2	9 – 40	0.3	0.0003	2.55	12.5	23	6	-40 to 125
ISL28x17	x = 2, 4	4.5 – 40	0.05	1	0.44	1.5	0.5	8	-40 to 125
ISL28x18	x = 1, 2	3 – 40	0.15	-230	0.85	4	1.2	5.6	-40 to 125
ISL28x27	x = 1, 2	4.5 – 40	0.07	10	2.8	10	3.6	2.5	-40 to 125
ISL28177	1	4.5 – 40	0.15	0.2	1.18	0.6	0.2	9.5	-40 to 125

General Purpose Op-Amps

All general-purpose op-amps feature ground sensing capability. Most op-amps, however, possess rail-to-rail capability to enhance the dynamic input and output signal range and thus, signal integrity. Amongst these amplifiers, the ultra-low power op-amp, ISL28194, has a supply current of only 330nA, which makes it ideal for battery-powered applications.

Part Number	Channels (#)	Supply Range (V)	Vos (Max) (mV)	IBIAS (nA)	IS (per amp) (mA)	Bandwidth (MHz)	Slew Rate (V/μs)	Rail-to-Rail	Temperature Range (°C)
CA3130	1	5 – 16	5	0.005	2	15	30	-Vs	-55 to +125
CA3140	1	4 – 36	5	0.01	4	4.5	9	-Vs	-55 to +125
EL5x20	x = 2, 4	4.5 – 16.5	12	50	0.75	12	10	In/Out	-40 to +125
EL5420T	4	4.5 – 19	13	50	0.75	12	12	In/Out	-40 to +85
ISL24021	1	4.5 – 19	15	10	2.8	25	18	In/Out	-40 to +85
ISL28x13	x = 1, 2, 4	1.8 – 5.5	5	0.003	0.13	2	1	In/Out	-40 to +125
ISL28x14	x = 1, 2, 4	1.8 – 5.5	5	0.003	0.039	5	2.5	In/Out	-40 to +125

High-Speed Op-Amps

Our high-speed op-amps include amplifiers with low offset and rail-to-rail outputs for precision applications, high slew rate devices, and fully differential amplifiers with ultra-low distortion for driving high-speed ADCs.

Part Number	Channels (#)	Topology	Supply Range (V)	Bandwidth (MHz)	Slew Rate (V/ μ s)	Noise (nV/ \sqrt Hz)	2nd HD (dB)	3rd HD (dB)	IS per amp (mA)	V _{OS} (Max) (mV)
Voltage Feedback Amplifiers with Rail-to-Rail Outputs										
ISL28191	1	VFA	3 – 5.5	61	17	1.7	-76	-70	2.6	0.63
ISL28291	2	VFA	3 – 5.5	61	17	1.7	-76	-70	2.6	0.63
EL8201	2	VFA	3 – 5.5	200	200	10	-62	-65	2	6
Voltage Feedback Amplifiers with Enhanced Slew Rate										
ISL55001	1	VFA	5 – 30	220	300	12	-72	-80	9	3
ISL55002	2	VFA	5 – 30	200	300	12	-72	-80	8.5	5
Fully Differential Amplifiers										
ISL55210	1	FDA	3 – 4.2	2200	5600	0.85	-105	-120	35	1.4
Current Feedback Amplifiers										
EL5160	1	CFA	5 – 10	200	1700	4	-74	-50	0.75	5
EL5161	1	CFA	5 – 10	200	1700	4	-74	-50	0.75	5
EL5x62	x = 1, 2, 4	CFA	5 – 12	500	4000	3			1.5	5
EL5263	2	CFA	5 – 12	500	2500	3			1.5	5
EL5166	1	CFA	5 – 12	1400	6000	1.7	-70	-78	8.5	5
Differential Line Drivers and Receivers										
EL5172	1	VFA	5 – 11	250	800	26	-59	-60	6	25
EL5375	3	VFA	5 – 11	550	900	21	-65	-78	9.6	40
EL5378	3	VFA	5 – 11	700	1000	18	-83	-88	12.5	30

Amplifiers

BIPOLAR & CMOS OP AMPs/COMPARATORS

Op Amps to Solve Your Design Challenges

Design Challenge #1

Energy Saving Product



- High demand for developing energy-saving products
- Adoption of energy-saving sensors such as current sensor, pressure sensor, gas sensor

Renesas Op Amp Solution

Renesas provides a full range of input and output CMOS high precision amplifier products to meet the industry-demanding requirements of accurate sensing.

CMOS Operational Amplifiers

Type	V _{DD}	V _{IO} max.	SR typ.	Rail-to-Rail	Dual	Quad
Low power	1.8 to 5.5V	±6mV	0.35V/μs	Input/output	READ2303G (General Purpose)	READ4303G (General Purpose)
	1.8 to 5.5V	±6mV	0.35V/μs	Input/output	READ2353J (Automotive)	READ4353J (Automotive)
High slew rate	2.5 to 5.5V	±6mV	8V/μs	Input/output	READ2304G (General Purpose)	READ4304G (General Purpose)
	2.5 to 5.5V	±6mV	8V/μs	Input/output	READ2354J (Automotive)	READ4354J (Automotive)

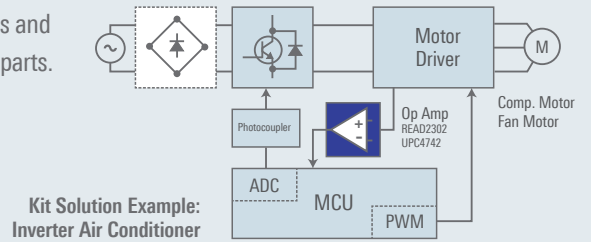
Design Challenge #2

Short Development Time



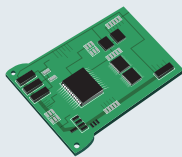
Renesas Op Amp Solution

Renesas provides total kit solutions for MCU and Op Amps products. Simplify the design process and reduce development turnaround time by utilizing the provided circuit diagrams and recommended parts.



Design Challenge #3

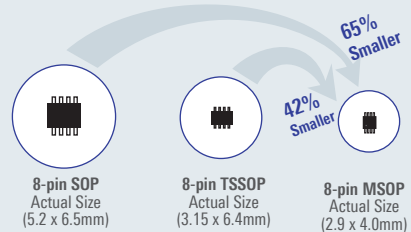
BOM Size

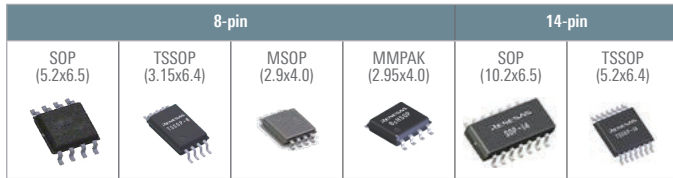


- Complex ecosystem on battery-powered small applications

Renesas Op Amp Solution

Renesas is expanding to include small MSOP package option to achieve mount area reduction.





CMOS Operational Amplifiers

Type	Rail-to-Rail	Part Number	Power Supply Voltage (V)	V _{IO} (max) (mV)	I _{DD} (typ) (μA/ch)	SR typ (V/μs)	Channels	Package
Low power	Input/output	READ2351J (Automotive)	1.8 to 5.5	±6	40	0.35	2	8-pin TSSOP
	Input/output	READ2303G (General Purpose)	1.8 to 5.5	±6	40	0.35	2	8-pin TSSOP/MSOP
	Input/output	READ2353J (Automotive)	1.8 to 5.5	±6	40	0.35	2	8-pin TSSOP
	Input/output	READ4303G (General Purpose)	1.8 to 5.5	±6	40	0.35	4	14-pin TSSOP
	Input/output	READ4353J (Automotive)	1.8 to 5.5	±6	40	0.35	4	14-pin TSSOP
High slew rate	Input/output	READ2302G (General Purpose)	2.5 to 5.5	±6	750	8	2	8-pin TSSOP
	Input/output	READ2352J (Automotive)	2.5 to 5.5	±6	750	8	2	8-pin TSSOP
	Input/output	READ2304G (General Purpose)	2.5 to 5.5	±6	750	8	2	8-pin TSSOP/MSOP
	Input/output	READ2354J (Automotive)	2.5 to 5.5	±6	750	8	2	8-pin TSSOP
	Input/output	READ4304G (General Purpose)	2.5 to 5.5	±6	750	8	4	14-pin TSSOP
Input/output	READ4354J (Automotive)	2.5 to 5.5	±6	750	8	4	14-pin TSSOP	

Bipolar Operational Amplifiers

Most of Industrial's products are also compatible with automotive applications.

Type	Part Number		Power Supply Voltage (V)	V _{IO} (max) (mV)	I _{CC} (max) (mA)	SR (typ) (V/μs)	Channels	Package
	Industrial	General Purpose						
Single power supply	μPC451	–	3 to 30	±7	2	0.3	4	14-pin SOP/TSSOP
	μPC452	μPC3403	3 to 32	±7	7	0.8	4	14-pin SOP
	μPC842/A	μPC4742	3 to 32	±5	4.5	7	2	8-pin SOP/TSSOP/MSOP*
	μPC844	μPC4744	3 to 32	±5	9	7	4	14-pin SOP/TSSOP
	μPC1251	–	3 to 30	±7	1.2	0.3	2	8-pin SOP/TSSOP/MSOP
	REAC1251G	–	3 to 30	±1	1.4	0.3	2	8-pin SOP/TSSOP/MSOP
	REAC1251J (Automotive)	–	3 to 30	±1	1.4	0.3	2	8-pin SOP/TSSOP/MSOP
Low noise	μPC258	μPC4558	±4 to ±16	±6	5.7	1	2	8-pin SOP
	μPC259	μPC4560	±4 to ±16	±6	5.7	2.8	2	8-pin SOP
	μPC458	μPC4741	±4 to ±16	±5	7	1	4	14-pin SOP
	–	μPC4570	±4 to ±16	±5	8	7	2	8-pin SOP/TSSOP
	–	μPC4572	±2 to ±7	±5	7	6	2	8-pin SOP
	–	μPC4574	±4 to ±16	±5	12	6	4	14-pin SOP/TSSOP
J-FET	μPC811	–	±5 to ±16	±2.5	3.4	15	1	8-pin SOP/TSSOP
	μPC812	μPC4092	±5 to ±16	±3	6.8	15	2	8-pin SOP/TSSOP
	μPC813	–	±5 to ±16	±2.5	3.5	25	1	8-pin SOP/TSSOP
	μPC814	μPC4094	±5 to ±16	±3	6.8	25	2	8-pin SOP/TSSOP
	μPC822	μPC4072	±5 to ±16	±10	5	13	2	8-pin SOP/TSSOP
	μPC824	μPC4074	±5 to ±16	±10	10	13	4	14-pin SOP/TSSOP
	μPC832	μPC4062	±2 to ±16	±10	0.5	3	2	8-pin SOP/TSSOP
	μPC834	μPC4064	±2 to ±16	±10	1	3	4	14-pin SOP/TSSOP
	μPC835	–	±5 to ±16	±3	2.2	5.5	2	8-pin TSSOP
Low power	μPC802	–	±1 to ±16	±6	≤0.1	≤1.0	1	8-pin SOP
General	μPC251	μPC1458	±7.5 to ±16	±6	5.6	0.5	1	8-pin SOP

* MSOP corresponds to μPC842A only

Bipolar Comparators

Type	Part Number		Power Supply Voltage (V)	V _{IO} (max) (mV)	I _{CC} (max) (mA)	Tr/Tf (typ) (μs)	Channels	Package
	Industrial	General Purpose						
General	μPC177	–	2 to 32	±5	2	1.3	4	14-pin SOP/TSSOP
	μPC271	–	5 to 32	±7.5	7.5	0.2	1	8-pin SOP
	μPC272	μPC319	5 to 16	±8	12.5	0.08	2	14-pin SOP
	μPC277	–	2 to 32	±5	1	1.3	2	8-pin SOP/TSSOP/MSOP

• Industrial: Products with extended temperature tolerances (125°C).

Amplifiers

CURRENT SENSING

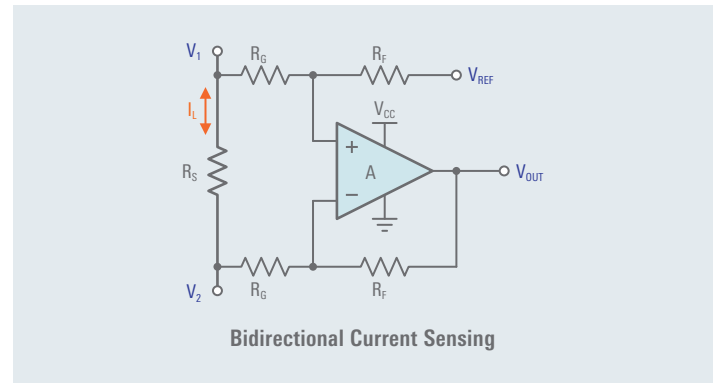
Current sensing is a fundamental requirement in a wide range of electronic applications. Measuring current drop across a sense resistor is the most commonly used method due to being low cost, having high measurement accuracy, allowing a large measurable current range, and being capable to measure DC and AC currents.

Discrete Solution

Precision Op Amps for Current Sensing

A basic current sense amplifier is an op-amp configured as a difference amplifier. The diff-amp rejects the common mode voltage present at the points V_1 and V_2 and amplifies only the voltage difference across the sense resistor by the circuit gain. A separate reference voltage sets the midpoint of the output voltage around which the amplified input voltage swings. Substituting the voltage difference with the load current times the sense resistance and solving for the load current gives:

$$I_L = (V_O - V_{REF}) / (R_S \cdot G)$$



Most Common Discrete Solutions

Type	Part Number	TCV _{os}	V _{os} Max @ 25°C	Notes
Low Noise	ISL28290	–	700µV	Low cost (low side)
Low Drift	ISL28x30	150nV/°C	40µV	Good – still low cost
Zero Drift	ISL28x33	75nV/°C	8µV	Great
Zero Drift	ISL28134	15nV/°C	2.5µV	World Class
Standard CMOS	ISL28113 ISL28114	2µV/°C	5mV	
Standard CMOS	READ2302 READ2303 READ2304	–	6mV	
Standard Bipolar	REAC1251	1µV/°C	1mV	

Generic versus High-Precision Solution

Using a low offset voltage op amp in the sensing circuit allows for a much lower sense resistor and less wasted power.

Example: 20mA Resolution, 5A Full Current

Solution	V _{os}	R _s	R _s Power Loss	Benefits
Generic	500µV	25mΩ	625mW	–
ISL28x30	40µV	2mΩ	50mW	92% Power Savings
ISL28134	2.5µV	125µΩ	3mW	99.5% Power Savings

Integrated Solution

The Simplest Type of Current Sense Amplifiers

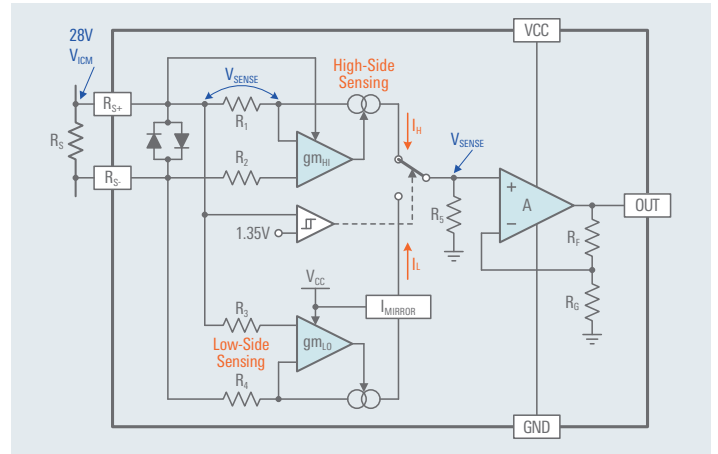
The ISL28005 and ISL28006 are ground sensing current sense amplifiers that amplify milli-volt current signals developed across sub-1Ω sense resistors. The simplest type of current sense amplifiers use single-stage op amp circuits that take their power from the same voltage source that generates the current to be measured.

Micropower, Current Sense Amplifier with Voltage Output



ISL28005/6

- High or low side unidirectional current sense
- Low power consumption, 50μA (typ)
- TIA Architecture:
 - Input Sense voltage converted to current
 - Current fed into 5V TIA for ADC drive
 - Constant 100kHz BW across gain
- Internal fixed gain for high accuracy and low TC_{V_{OS}}



Current Sense Amplifiers

Part Number	Supply Range (V)	V _{ICM} Range (V)	V _{OS} Max @ 25°C (μV)	V _{OS} Max Temp (μV)	CMRR Min Temp (dB)	PSRR Min Temp (dB)	Gain Range (V/V)	Gain Accuracy @ 25°C (%)	Gain Accuracy Temp (%)	I _S Max @ 25°C (μA)	I _S Max Temp (μA)	Package
ISL28005	2.7 to 28	0 to 28	500	500	105	90	20, 50, 100	2	3	59	59	SOT-23-5
ISL28006	2.7 to 28	0 to 28	250	300	105	90	20, 50, 100 Adj (20-100)	0.7	1	62	62	SOT-23-5 SOT-23-6

Digital Power Monitors

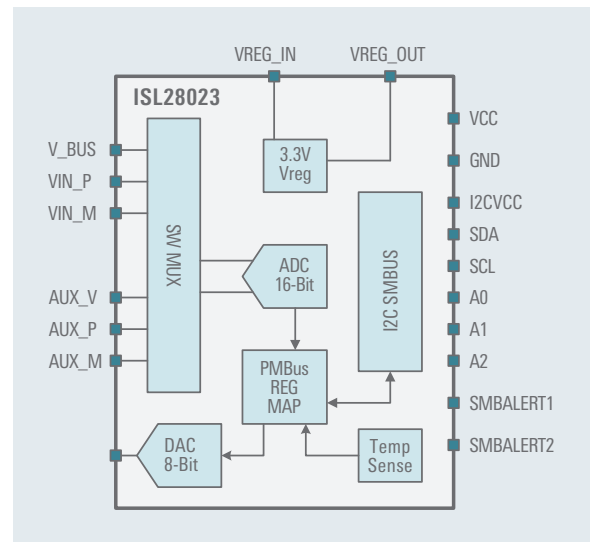
High Voltage Precision Sensing for Current, Voltage, and Power

Integrated Analog Front End for High Voltage Monitoring and Bi-directional Current Sensing

ISL28022/23/25

The ISL28022/23/25 digital power monitors are high-side and low-side digital current sense and voltage monitors with serial interface. The "digital power monitor", or DPM, allows monitoring of power supplies, RF systems, and other high voltage applications.

- Input Common mode up to 60V
- High accuracy – 0.05% error (ISL28023)
- User defined alerts – OV, UV, OC
- Additional features (margin DAC, voltage regulator, internal temp sensor, auxiliary channel)



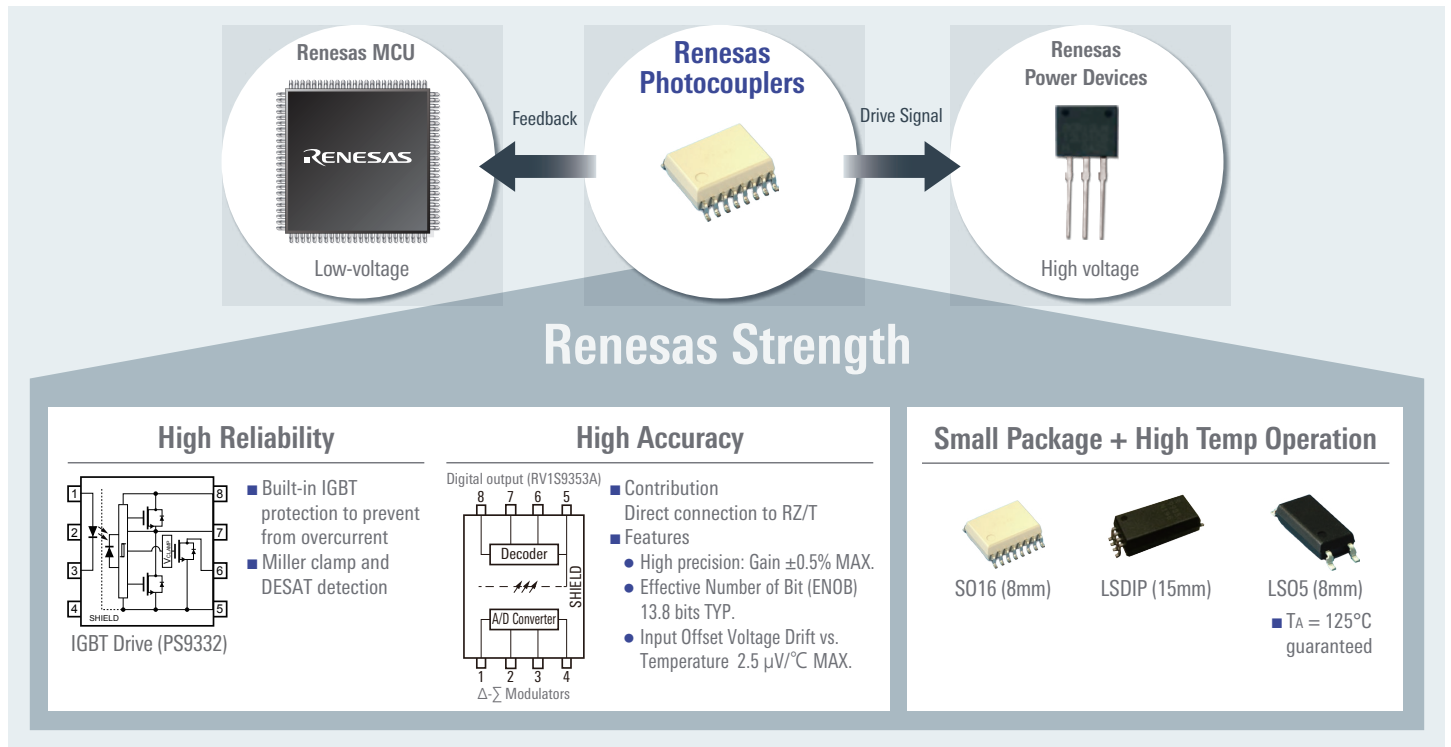
Current Sense Amplifiers

Part Number	Category	Primary Channel	LV AUX Channel	Accuracy	Current Measure LSB	Offset Voltage	Fast Alert Outputs	Package
ISL28022	Basic	0 to 60V	–	0.3%	10μV	75μV	–	MSOP10, QFN16
ISL28023	Full Featured	0 to 60V/12V	0 to V _{CC}	0.05%	2.5μV	30μV	2	QFN24
ISL28025	Tiny Package	0 to 60V/12V	0 to V _{CC}	0.1%	2.5μV	30μV	2	WLCSP-16

Optoelectronics

PHOTOCOUPLERS

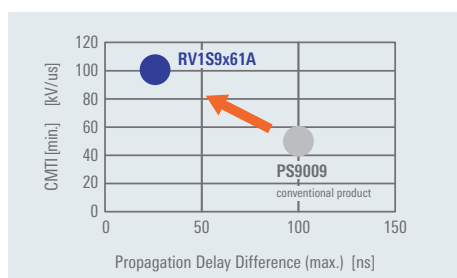
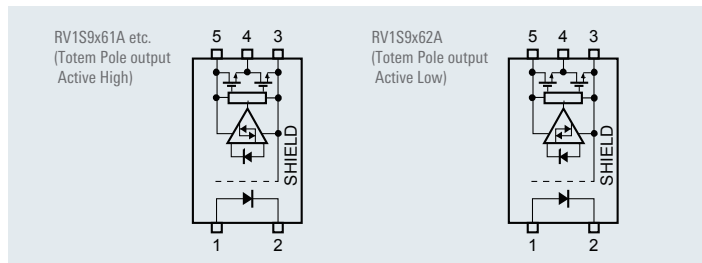
Providing Highly Reliable, High Accuracy Small Footprint Solutions



Featured Products

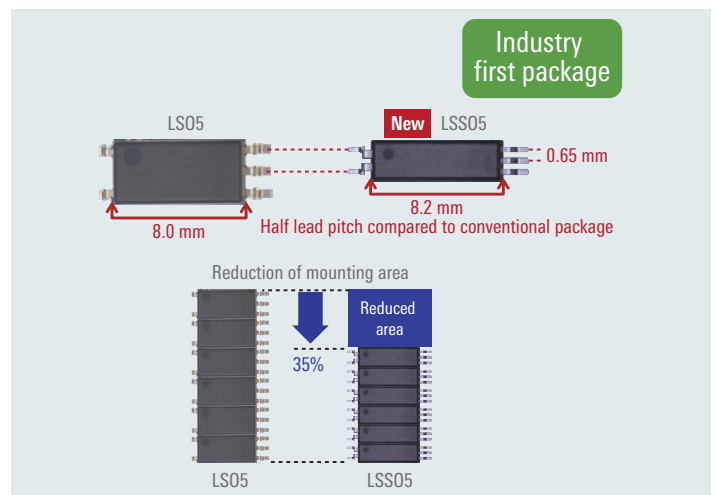
IPM Drive

- Features (RV1S9x61A, RV1S9x62A)
Small PDD 25 ns max.
High CMTI: ± 100 kV/ μ s, min.
High-temperature operation: $T_a = 125^\circ\text{C}$ max.

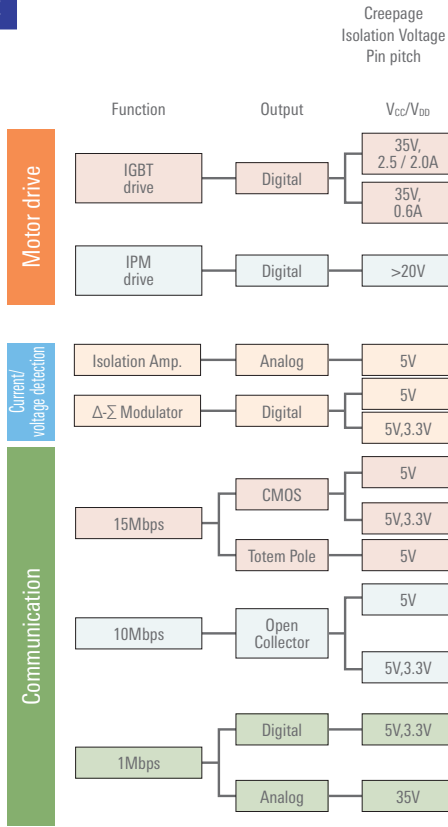


LSS05(5pin)/LSSOP(4pin)

- Downsizing while maintaining long creepage (35% reduction in mounting area compared to LS05)
- Lineup: IGBT drive, IPM drive, 15 Mbps, Transistor output



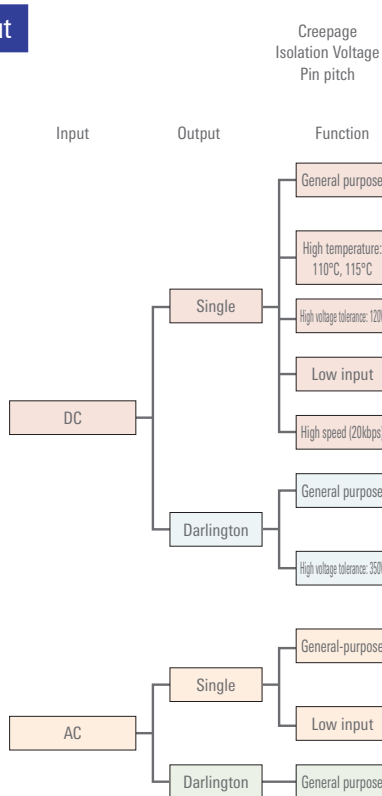
IC-Output



Creepage
Isolation Voltage
Pin pitch

DIP8 7/8 mm 5 kV 2.54 mm	SDIP 7/8 mm 5 kV 1.27 mm	LSDIP8 15 mm 7.5 kV 1.27 mm	LSO5 8 mm 5 kV 1.27 mm	S05 4.2 mm 3.75 kV 1.27 mm	LSS05 8.2 mm 5 kV 0.65 mm	S08 4 mm 2.5 kV 1.27 mm	S016 8 mm 5 kV 1.27 mm
PS9531	PS9331 PS9332	PS9905	PS9031		RV1S9231A		PS9402
PS9506	PS9307A				RV1S9207A		
PS9513	PS9313 PS9303 PS9309		PS9013 RV1S9062A PS9009 RV1S9061A	PS9113 RV1S9162A RV1S9161A	RV1S9213A RV1S9262A RV1S9209A RV1S9261A		
PS8551A	PS8352A						
PS9551A							
	RV1S9353A						
	PS9351			PS9151		PS9851-1 PS9851-2	
		RV1S9960A	RV1S9060A	RV1S9160A	RV1S9260A		
				PS9123			
PS9587	PS9317		PS9001	PS9117A		PS9817A-1 PS9817A-2	
	PS9324	PS9924		PS9124		PS9821-1 PS9821-2	
						PS9822-1 PS9822-2	
PS8501 PS8502	PS8302	PS8902		PS8101		PS8802-1 PS8802-2	

Transistor-Output



Creepage
Isolation Voltage
Pin pitch

DIP4 7/8 mm 5 kV 2.54 mm	LSOP 8 mm 5 kV 2.54 mm	SOP 5 mm 3.75 kV 2.54 mm	LSSOP 8.2 mm 5 kV 1.3 mm	SSOP 4/4.5/5 mm 1.5/2.5/3.75 kV 0.8/1.27 mm	Flat lead 4 mm 2.5 kV 1.27 mm
		PS2701A-1		PS2801C-1/4	
PS2561D-1 PS2561F-1	PS2381-1	PS2761B-1	RV1S2281A	PS2861B-1	
		PS2703-1			
		PS2711-1	RV1S2211A	PS2811-1/4 PS2841-4A/4B	PS2911-1 PS2913-1
PS2514-1					
PS2562-1		PS2702-1		PS2802-1/4	
PS2533-1 PS2535-1		PS2733-1		PS2833-1/4	
PS2565-1		PS2705A-1	RV1S2285A	PS2805C-1/4	
		PS2715-1		PS2815-1/4 PS2845-4A	PS2915-1
PS2506-1		PS2706-1			

Timing

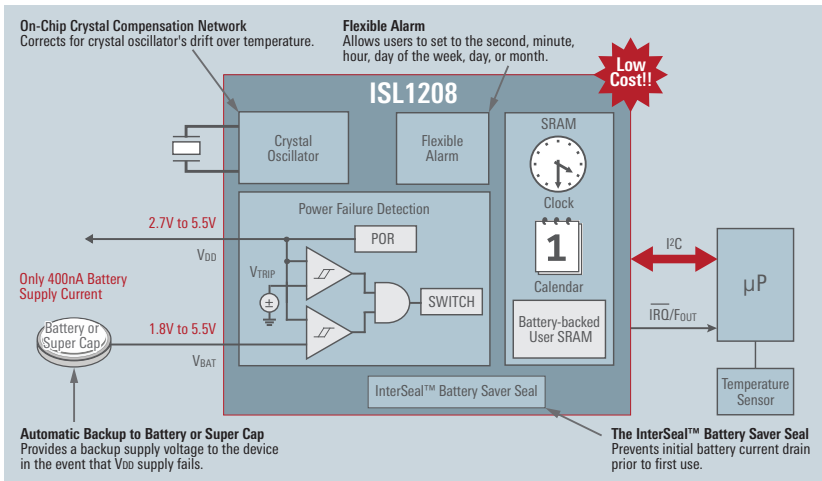
REAL-TIME CLOCKS



ISL1208

I²C Real Time Clock/Calendar, Low Power RTC with Battery Backed SRAM

- Real Time Clock/Calendar
 - Tracks Time in Hours, Minutes, and Seconds
 - Day of the Week, Day, Month, and Year
 - Settable to the Second, Minute, Hour, Day of the Week, Day, or Month
- Automatic Backup to Battery or Super Capacitor – 400nA Battery Supply Current
- 2 Bytes Battery-Backed User SRAM
- Single Alarm
- On-Chip Oscillator Compensation
- I²C Interface - 400kHz Data Transfer Rate
- Small Package Options
 - 8 Ld MSOP and SOIC Packages
 - 8 Ld TDFN Package



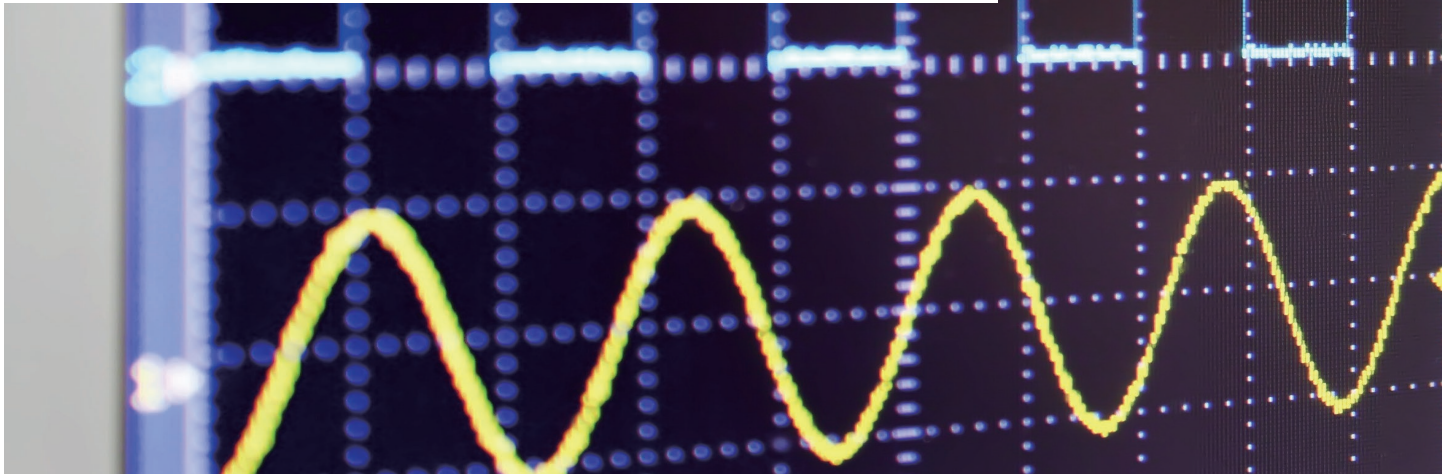
Applications

- Utility Meters
- HVAC Equipment
- Audio/Video Components
- Set-Top Box/Television
- Modems
- Network Routers, Hubs, Switches, Bridges
- Cellular Infrastructure Equipment
- Fixed Broadband Wireless Equipment
- Pagers/PDA
- POS Equipment
- Test Meters/Fixtures
- Office Automation
- Home Appliances
- Computer Products
- Other Industrial/Medical/Automotive

Part Number	Alarms	#Fout frequencies	Battery Backup	Reset	Memory (Bytes)	Event detection	Event time stamp	Bat timestamp	Auto DST adjust	Temp sensor	Power monitoring	Integrated Crystal
ISL12057	2	4										
ISL12058	2	4										
ISL12008	1	1	✓	✓								
ISL1208	1	15	✓		S2							
ISL1220	1	15	✓		S8							
ISL1209	1	15	✓		S2	✓						
ISL1219	1	15	✓		S2	✓	✓					
ISL1221	1	15	✓		S2	✓	✓					
ISL12022	1	15	✓	✓	S128			✓	✓	✓	✓	
ISL12026	2	3	✓		E512							
ISL12022M	1	15	✓	✓	S128			✓	✓	✓	✓	✓
ISL12020M	1	15	✓	✓	S128			✓	✓	✓	✓	✓

Data Converters

HIGH SPEED ADC/DACs



High Speed ADCs

Innovative FemtoCharge[®] CMOS technology yields ultra-high performance ADCs that consume a fraction of the power of the competition.

Competitive Advantages

- Between half and one fifth the power of the competition
- Superior wideband capabilities
- Compact footprint
 - The industry’s first dual 12-bit 250MSPS ADC family
 - 500 MSPS option is 2 to 3.6x smaller than the competition

Applications

- Communications
- Networking
- Instrumentation
- Industrial
- Video and imaging

Speed	8-bit	10-bit	12-bit	14-bit	16-bit
500+	ISLA118P50	ISLA110P50 KAD5510P-50	ISLA112P50 ISLA212P50 KAD5512P-50	ISLA214P50	
250–350		KAD5510P-25 KAD5610P-25	ISLA212P25 ISLA222P25 ISLA222S25 KAD5512(H)P-25 KAD5612P-25	KAD5514P-25 ISLA224P25	ISLA216P25
130–210		KAD5510P-21 KAD5610P-21 KAD5510P-17 KAD5610P-17	KAD5512(H)P-21 KAD5612P-21 ISLA222S20 KAD5512(H)P-17 KAD5612P-17 ISLA222P13	KAD5514P-21 ISLA214P20 ISLA224P20 ISLA224S20 KAD5514P-17	ISLA216P20 ISLA216S20 ISLA216P13
Up to 125		KAD5510P-12 KAD5610P-12	KAD5512(H)P-12 KAD5612P-12	KAD5514P-12 ISLA224P12	

Single Dual

High Speed DACs

Key Features

- Excellent dynamic performance (ISL5957)
 - Nyquist SFDR at 10MHz = 75dBc
 - UMTS ACPR at 19.2MHz = 71dB
- GSM SFDR at 11MHz (20MHz window) = 94dBc
- +3.3V supply, low power: 103mW @ 130MSPS
- Adjustable full-scale output current: 2 to 20mA
- Pin compatible family of single and duals

Applications

- Wireless Comms
- Broadband Microwave Repeaters
- Military and SDR Radios

DACs	8-bit	10-bit	12-bit	14-bit
260 MSPS			ISL5957	
130–210 MSPS		ISL5761	ISL5861	ISL5961
60–125 MSPS	HI5660			

Single

Data Converters

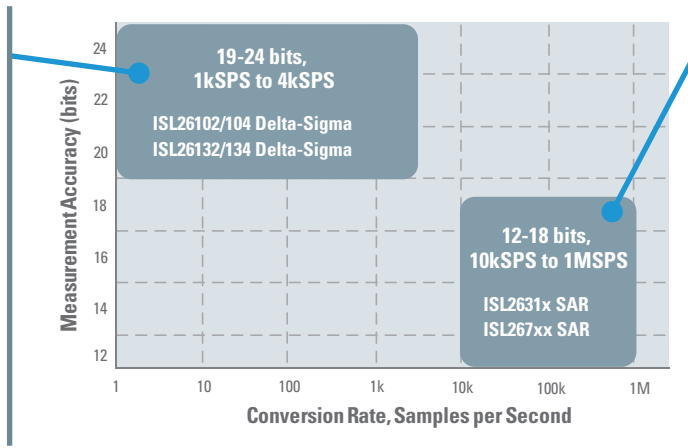
PRECISION DATA CONVERTERS

24-bit Delta-Sigma Converters

- High resolution (24-bit)
- Lower conversion rate

Applications

- Weigh scales
- Dynamic weighing
- Manufacturing systems
- Temperature and load sensors
- Load safety systems
- Scientific instrumentation



Successive Approximation (SAR) ADCs

- Medium to high-resolution ADCs (up to 12-bit)
- High conversion rate
- Low power

Applications

- Process controllers
- Human-machine interface devices
- Pressure and flow sensors
- Switchgear
- Safety monitors



- Robotic controls
- Automotive systems

24-bit Delta-Sigma Converters

Resolution	Max Conv Rate	Part Number	INL (%FS)	Noise	Power Consumption	Analog Supply Voltage Range	Digital Supply Voltage Range	Package	Technical Highlight
24-bit	4kSPS	ISL26102	0.0002	7nV/√Hz	33.75mW	4.75 – 5.25V	2.7 – 5.25V	24 and 28 Ld TSSOP	Programmable gain amplifier with gains of 1 to 128
	10SPS and 80SPS	ISL26132	0.0002	1.2μV/√Hz	50mW	5V	2.7V	24 and 28 Ld TSSOP	Up to 21.6 Noise-free bits

SAR ADC

Resolution	Max Conv Rate	Part Number	± INL (Integral Non-Linearity) (LSB)	SFDR	Power Consumption	Analog Supply Voltage (min)	Analog Supply Voltage (max)	Pkg Type	Temp Range (°C)
10-bit	1MSPS	ISL267440	0.5	-76dB	2mW	2.7V	5.25V	MSOP8, SOT8	-40 to +85
		ISL26710	0.1	-82dB	3.75mW	2.7V	5.25V	DFN8, SOT8	-40 to +85
12-bit	125kSPS	ISL26313	0.7	96dB	11mW	2.7V	5.25V	SOIC8, TSSOP16	-40 to +125
	200kSPS	ISL267817	1	-85dB	2.15mW	4.75V	5.25V	MSOP8, SOIC8	-40 to +85
	250kSPS	ISL26321, ISL26322	0.7	96dB	11mW, 15mW	2.7V	5.25V	SOIC8, TSSOP16	-40 to +125
	1MSPS	ISL26712	0.4	-87dB	3.75mW	2.7V	5.25V	DFN8, SOT8	-40 to +85

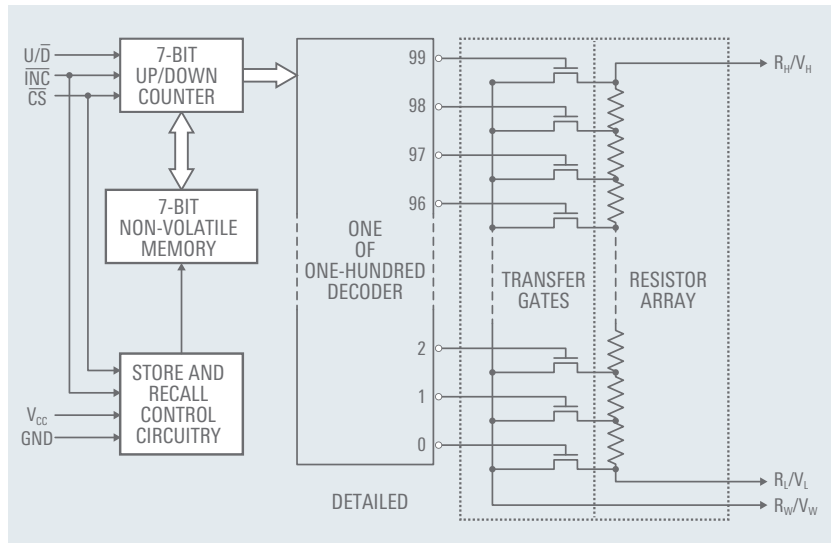
Data Converters

DIGITAL POTENTIOMETERS PORTFOLIO

Digital potentiometers replace mechanical potentiometers and trim resistors in applications where digital control allows microprocessor interfacing and extended functionality. Compared to mechanical potentiometers, electronic potentiometers are more accurate, easier to adjust, and they reduce manufacturing complexity. Renesas offers the widest selection of low-to-high resolution digital potentiometers (DCPs) in single, dual and quad configurations that are accurate, easy to adjust and reduce manufacturing complexity.

X9C102, X9C103, X9C104, X9C503 Digitally Controlled Potentiometer

- Three-Wire Serial Interface
- 1kΩ, 10kΩ, 50kΩ, 100kΩ
- 100 Wiper Tap Points
 - Wiper Position Stored in Non-volatile Memory and Recalled on Power-up
- 99 Resistive Elements
 - Temperature Compensated
 - End-to-End Resistance, ±20%
 - Terminal Voltages, ±5V
- Low Power CMOS
 - V_{CC} = 5V
 - Active Current, 3mA max.
 - Standby Current, 750µA max. High Reliability
- Reliability
 - Endurance, 100,000 Data Changes per Bit
 - Register Data Retention, 100 years
- 8 lead SOIC or PDIP



Tap	Part Number	Resistance kΩ	Channels	Interface
32	ISL23511	10	1	Pushbutton
128	ISL23318	10, 100	1	I ² C
	ISL23418	50	1	SPI
	ISL90727, 8	10, 50	1	I ² C
	ISL23315	10, 100	1	I ² C
	ISL23328	10	2	I ² C
256	ISL23415	10, 100	1	SPI
	ISL23325	10, 100	2	I ² C
	ISL23425	10, 100	2	I ² C
	ISL90842	10, 50	4	I ² C

Other Options with Volatile Memory

Nonvolatile				
Tap	Part Number	Resistance kΩ	Channels	Interface
32	ISL22511	10	1	Pushbutton
	X9313	1, 10, 50	1	3-Wire (Up/Down)
	X9315	10, 50, 100	1	3-Wire (Up/Down)
	X9511	10	1	Pushbutton
64	X9241A	2, 10, 50	1	2-Wire
	X9401	10	4	SPI
100	X9317	10, 50	1	3-Wire (Up/Down)
	X9318	10	1	3-Wire (Up/Down)
	X9C102, 3, 4	1, 10, 100	1	3-Wire(Up/Down)
	X9C503	50	1	3-Wire (Up/Down)
128	ISL223x6	10	x = 1, 2, 4	I ² C
	ISL223x6WM	10	x = 1, 2, 4	I ² C
	ISL22317	10, 50, 100	1	I ² C
	ISL95311	10	1	I ² C
	ISL958x0	2.5, 10, 50	x = 1, 2	I ² C
256	X9252	2, 10	4	2-Wire, 3-Wire (Up/Down)
	ISL22424	10	2	SPI
	X9271, X9251, X9259	50	1, 4	SPI, 2-Wire
	X9250, X9258	50, 100	4	SPI, 2-Wire

Other Options with non-Volatile Memory

Data Converters

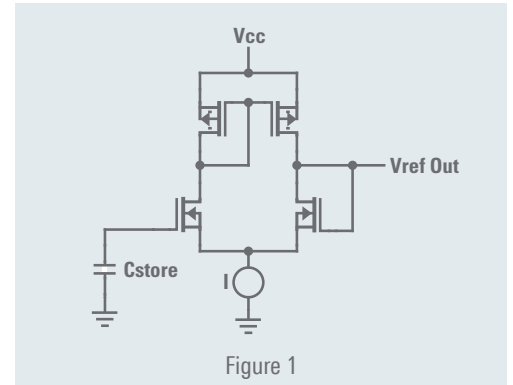
VOLTAGE REFERENCES

Renesas offers a wide range of precision voltage references in both FGA™ and Bandgap technology

Accurate and Stable Voltage Reference with Floating Gate Analog Technology (FGA™)

Renesas' revolutionary Floating Gate Analog (FGA™) voltage reference circuits are not dependent on the voltage produced by a silicon junction. FGA technology produces extraordinarily accurate and stable reference voltages by storing a precise charge on a floating gate cell that is essentially unaffected by external influences such as variation in temperature, input voltage, and time.

The floating gate voltage is buffered with a high-quality CMOS amplifier as shown in the simplified diagram in Figure 1.



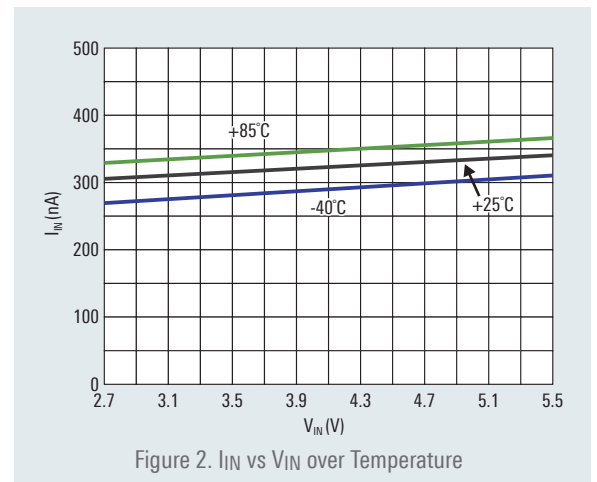
Ultra-Low Power, General Purpose Voltage Reference

ISL21080

The ISL21080 analog voltage references feature low supply voltage operation at ultra-low 310nA typical. Additionally, the ISL21080 family features ensured initial accuracy as low as $\pm 0.2\%$ and 50ppm/°C temperature coefficient.

These references are ideal for general purpose portable applications to extend battery life at lower cost. The ISL21080 is provided in the industry standard 3 Ld SOT-23 pinout.

- Supply current: 310nA typ
- Reference output voltage options:
 - 0.9V, 1.024V, 1.25V, 1.5V, 2.048V, 2.5V, 3.0V, 3.3V, 4.096V
- Output voltage noise: 30 μ V_{P-P} typ
- Temperature Range: -45°C to +85°C
- Tempco: 50ppm/°C max
- Output current capability: ± 7 mA
- Package: 3 Ld SOT-23



Precision Voltage References

Type	Part Number	V_{OUT}										Temp Coefficient (max)	I_S (typ)	I_S (max)	V_S (min)	V_S (max)	Initial Accuracy (% V_{OUT} @2.5V)	Output Noise (0.1Hz to 10Hz) (typ)	Hysteresis (ppm)	Pkg Type	Temp Range (°C)		
		0.9V	1.024V	1.2V	1.25V	1.5V	1.8V	2.048V	2.5V	2.6V	3V											3.3V	4.096V
Low Noise	ISL21090				•			•						7ppm/°C	750 μ A (1.25V Option)	1.28mA	3.7V	36V	$\pm 0.03\%$ (1.25V Option)	1.0 μ V _{PP} (1.25V option)	–	SOIC8	-40 to 125
Low Cost	ISL21010		•		•		•	•		•	•			50ppm/°C	48 μ A	100 μ A	2.2V	5.5V	0.2%	58 μ V _{PP} (2.048V option)	100	SOT3	-40 to 125
	ISL21080	•	•		•	•	•	•		•	•	•		50ppm/°C	300nA	1.5 μ A	2.7V	5.5V	<0.7%	30 μ V _{PP}	100	SOT3	-40 to 85
NanoPower	ISL60002		•	•	•		•	•	•	•	•			20ppm/°C	350nA	900nA	2.7V	5.5V	<0.49%	30 μ V _{PP}	100	SOT3	-40 to 85
	X60003											•	•	10ppm/°C (B grade)	500nA	900nA	4.5V	9V	<0.1%	30 μ V _{PP}	150/100	SOT3	-40 to 85
With Comparator	ISL21440	1.182V $\pm 0.5\%$ with Comparator										–	0.46 μ A	6.5 μ A	2V	11V	0.5%	–	Programmable	DFN8, MSOP8	-40 to 125		

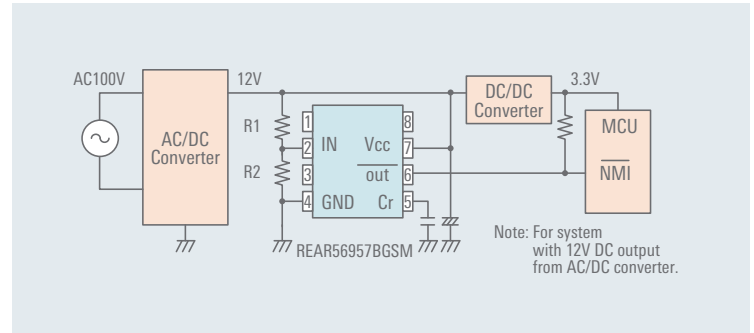
Reset IC

VOLTAGE DETECTING, SYSTEM RESETTING IC

High Voltage Bipolar Reset IC detect power supply voltage & protect equipments.

Reset IC is useful for resetting various logic circuits such as MCU. With built in delay circuit, user can easily change its delay time with an external capacitor.

- High Voltage Bipolar
Supply Voltage: 18V MAX.
- Detecting Voltage
REAR56953A,B: 4.25V fix (No need ext. resistor)
REAR56957A,B: 2 to 15V (Change by ext. resistor R1, R2)
REAR56958B: 2 to 15V (Change by ext. resistor R1, R2)
- Delay Time
Large delay time with a capacitor of small capacitance
TYP.: 3.4 ms (Cd=0.01uF), changed by delay capacitor
- Applications
Industrial
Consumer



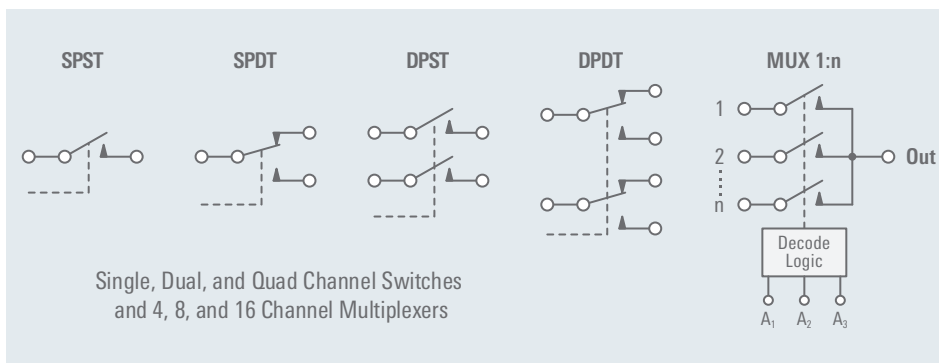
Part Number	Detecting Voltage [Typ.] (V)	Reset Mode	Out-put Type	Package	Block Diagram	Operating Waveform
REAR56953AGSM	4.25	Low	Built-in load	SOP8		
REAR56953BGSM	4.25	Low	Open collector	SOP8		
REAR56957AGSM	1.25 (Variable 2 to 15V)	Low	Built-in load	SOP8		
REAR56957BGSM	1.25 (Variable 2 to 15V)	Low	Open collector	SOP8		
REAR56958BGSM	1.25 (Variable 2 to 15V)	High	Open collector	SOP8		

Switches & Multiplexers

ANALOG SWITCHES

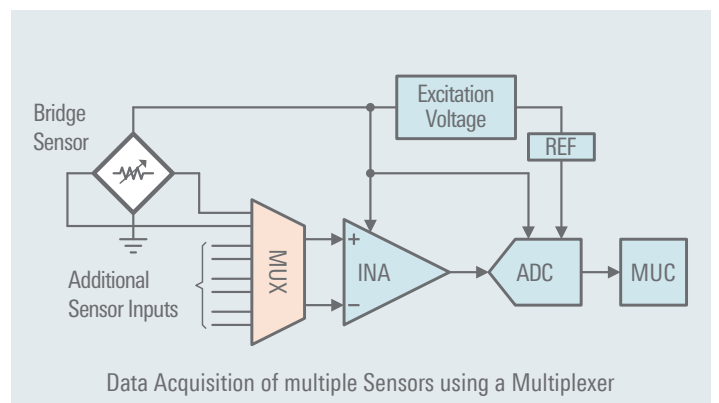
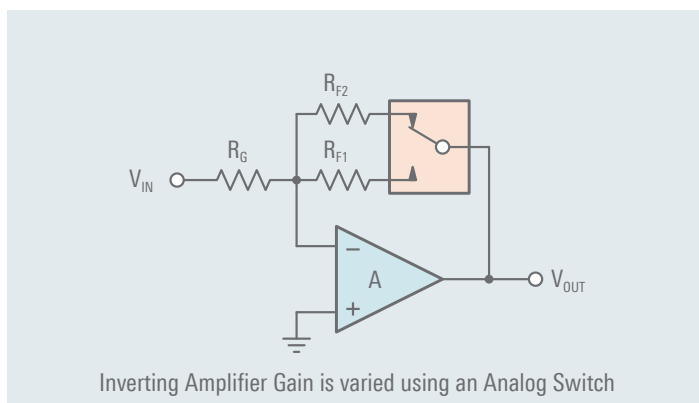


Renesas' broad portfolio of analog switches and multiplexers (MUX) provide excellent performance across a wide input voltage range. Products include 40V operation down to low voltage USB switching. The following figures and tables only show a fraction of the most commonly preferred analog switches and multiplexers. This portfolio includes single, dual and quad channels of single-pole single-throw and single-pole dual-throw switches, as well as single and dual dual-pole single-throw and dual-pole dual-throw switches, both available in normal-open (NO) and normal-closed (NC) configurations. For selective switching of multiple signal inputs, the input configurations of our multiplexers range from single and dual 4:1 and 8:1 and 16:1.



Data acquisition is the process of sampling signals that measure real-world physical conditions and converting the resulting samples into digital numeric values. Data acquisition circuitry includes sensors that convert physical parameters to electrical signals, signal conditioning circuitry, and analog to digital converters.

Data acquisition applications require analog switch and multiplexer products with low charge injection and parasitic capacitance to minimize switching errors and settling time in the input multiplexer and sample and hold circuits. Renesas offers high performance for these parameters, enabling high sampling rates and accuracy. In addition, Renesas also offers switches with low on-resistance that are suitable for mode switch, filtering, and programmable gain control applications.



Analog Switches

Part Number	Configuration	TON (ns)	TOFF (ns)	Charge Injection (pC)	Drain Cap (pF)	Leakage (nA)	RDS-on (Ω)	Source Cap (pF)	Supply Voltage (V)	IS (μ A)
DG403	DPST x 2, NO, NC	100	60	60	39	0.04	20	12	5 to 34, ± 5 to ± 20	0.01
DG411	SPST x 4, NO	110	100	5	35	0.1	25	9	5 to 34, ± 5 to ± 20	0.0001
DG412	SPST x 4, NC	110	100	5	35	0.1	25	9	5 to 34, ± 5 to ± 20	0.0001
DG413	SPST x 4, NO, NC	110	100	5	35	0.1	25	9	5 to 34, ± 5 to ± 20	0.0001
DG441	SPST x 4, NO	150	90	1	16	0.08	50	4	5 to 34, ± 5 to ± 20	15
DG444	SPST x 4, NO	120	110	1	16	0.08	50	4	5 to 34, ± 5 to ± 20	0.001
HI-201	SPST x 4, NO	185	220	10	11	2	55	5.5	± 15 (Typ)	500
ISL43120	SPST x 2, NO	25	17	5	21	0.01	11	8	2.7 to 12	0.0001
ISL43141	SPST x 4, NO	40	15	1	14	0.01	50	7	2 to 12, ± 2 to ± 6	0.05
ISL43144	SPST x 4, NO	52	40	5	34	0.2	18	10	2 to 12, ± 2 to ± 6	0.01
ISL43L110	SPST x 1, NO	8	5	89	160	30	0.24	68	1.1 to 4.5	0.05
ISL84714	SPDT x 1	7.5	2.9	20	100	2	0.44	40	1.65 to 3.6	0.018
ISL84715	SPST x 4, NO	9	5	70	160	3	0.26	68	1.65 to 3.6	0.018
ISL84053	SPDT x 3	50	40	2	14	0.002	60	3	2 to 12, ± 2 to ± 6	0.1

Analog Multiplexers

Part Number	Configuration	TON (ns)	TOFF (ns)	Charge Injection (pC)	Drain Cap (pF)	Leakage (nA)	RDS-on (Ω)	Source Cap (pF)	Supply Voltage (V)	IS (μ A)
DG406	1 x 16:1	150	70	40	180	0.04	50	8	5 to 34, ± 5 to ± 20	0.08
DG408	1 x 8:1	115	105	20	37	1	40	3	5 to 34, ± 5 to ± 20	0.2
DG409	2 x 4:1	115	105	20	25	1	40	3	5 to 34, ± 5 to ± 20	0.2
HI-546	1 x 16:1	300	300	4	52	0.1	1200	10	± 5 to ± 18	0.5
ISL84051	1 x 8:1	50	40	2	26	0.002	60	3	2 to 12, ± 2 to ± 6	0.0001
ISL84052	2 x 4:1	50	40	2	18	0.002	60	3	2 to 12, ± 2 to ± 6	0.0001
ISL84781	1 x 8:1	16	14	39	485	15	0.41	65	1.6 to 3.6	0.00005

Notice

- Descriptions of circuits, software and other related information in this document are provided only to illustrate the operation of semiconductor products and application examples. You are fully responsible for the incorporation or any other use of the circuits, software, and information in the design of your product or system. Renesas Electronics disclaims any and all liability for any losses and damages incurred by you or third parties arising from the use of these circuits, software, or information.
 - Renesas Electronics hereby expressly disclaims any warranties against and liability for infringement or any other claims involving patents, copyrights, or other intellectual property rights of third parties, by or arising from the use of Renesas Electronics products or technical information described in this document, including but not limited to, the product data, drawings, charts, programs, algorithms, and application examples.
 - No license, express, implied or otherwise, is granted hereby under any patents, copyrights or other intellectual property rights of Renesas Electronics or others.
 - You shall be responsible for determining what licenses are required from any third parties, and obtaining such licenses for the lawful import, export, manufacture, sales, utilization, distribution or other disposal of any products incorporating Renesas Electronics products, if required.
 - You shall not alter, modify, copy, or reverse engineer any Renesas Electronics product, whether in whole or in part. Renesas Electronics disclaims any and all liability for any losses or damages incurred by you or third parties arising from such alteration, modification, copying or reverse engineering.
 - Renesas Electronics products are classified according to the following two quality grades: "Standard" and "High Quality". The intended applications for each Renesas Electronics product depends on the product's quality grade, as indicated below.
 "Standard": Computers; office equipment, communications equipment; test and measurement equipment; audio and visual equipment; home electronic appliances; machine tools; personal electronic equipment; industrial robots; etc.
 "High Quality": Transportation equipment (automobiles, trains, ships, etc.); traffic control (traffic lights); large-scale communication equipment; key financial terminal systems; safety control equipment; etc.
 Unless expressly designated as a high reliability product or a product for harsh environments in a Renesas Electronics data sheet or other Renesas Electronics document, Renesas Electronics products are not intended or authorized for use in products or systems that may pose a direct threat to human life or bodily injury (artificial life support devices or systems; surgical implantations; etc.), or may cause serious property damage (space system; undersea repeaters; nuclear power control systems; aircraft control systems; key plant systems; military equipment; etc.). Renesas Electronics disclaims any and all liability for any damages or losses incurred by you or any third parties arising from the use of any Renesas Electronics product that is inconsistent with any Renesas Electronics data sheet, user's manual or other Renesas Electronics document.
 - No semiconductor product is absolutely secure. Notwithstanding any security measures or features that may be implemented in Renesas Electronics hardware or software products, Renesas Electronics shall have absolutely no liability arising out of any vulnerability or security breach, including but not limited to any unauthorized access to or use of a Renesas Electronics product or a system that uses a Renesas Electronics product. RENESAS ELECTRONICS DOES NOT WARRANT OR GUARANTEE THAT RENESAS ELECTRONICS PRODUCTS, OR ANY SYSTEMS CREATED USING RENESAS ELECTRONICS PRODUCTS WILL BE INVULNERABLE OR FREE FROM CORRUPTION, ATTACK, VIRUSES, INTERFERENCE, HACKING, DATA LOSS OR THEFT, OR OTHER SECURITY INTRUSION ("Vulnerability Issues"). RENESAS ELECTRONICS DISCLAIMS ANY AND ALL RESPONSIBILITY OR LIABILITY ARISING FROM OR RELATED TO ANY VULNERABILITY ISSUES. FURTHERMORE, TO THE EXTENT PERMITTED BY APPLICABLE LAW, RENESAS ELECTRONICS DISCLAIMS ANY AND ALL WARRANTIES, EXPRESS OR IMPLIED, WITH RESPECT TO THIS DOCUMENT AND ANY RELATED OR ACCOMPANYING SOFTWARE OR HARDWARE, INCLUDING BUT NOT LIMITED TO THE IMPLIED WARRANTIES OF MERCHANTABILITY, OR FITNESS FOR A PARTICULAR PURPOSE.
 - When using Renesas Electronics products, refer to the latest product information (data sheets, user's manuals, application notes, "General Notes for Handling and Using Semiconductor Devices" in the reliability handbook, etc.), and ensure that usage conditions are within the ranges specified by Renesas Electronics with respect to maximum ratings, operating power supply voltage range, heat dissipation characteristics, installation, etc. Renesas Electronics disclaims any and all liability for any malfunctions, failure or accident arising out of the use of Renesas Electronics products outside of such specified ranges.
 - Although Renesas Electronics endeavors to improve the quality and reliability of Renesas Electronics products, semiconductor products have specific characteristics, such as the occurrence of failure at a certain rate and malfunctions under certain use conditions. Unless designated as a high reliability product or a product for harsh environments in a Renesas Electronics data sheet or other Renesas Electronics document, Renesas Electronics products are not subject to radiation resistance design. You are responsible for implementing safety measures to guard against the possibility of bodily injury, injury or damage caused by fire, and/or danger to the public in the event of a failure or malfunction of Renesas Electronics products, such as safety design for hardware and software, including but not limited to redundancy, fire control and malfunction prevention, appropriate treatment for aging degradation or any other appropriate measures. Because the evaluation of microcomputer software alone is very difficult and impractical, you are responsible for evaluating the safety of the final products or systems manufactured by you.
 - Please contact a Renesas Electronics sales office for details as to environmental matters such as the environmental compatibility of each Renesas Electronics product. You are responsible for carefully and sufficiently investigating applicable laws and regulations that regulate the inclusion or use of controlled substances, including without limitation, the EU RoHS Directive, and using Renesas Electronics products in compliance with all these applicable laws and regulations. Renesas Electronics disclaims any and all liability for damages or losses occurring as a result of your noncompliance with applicable laws and regulations.
 - Renesas Electronics products and technologies shall not be used for or incorporated into any products or systems whose manufacture, use, or sale is prohibited under any applicable domestic or foreign laws or regulations. You shall comply with any applicable export control laws and regulations promulgated and administered by the governments of any countries asserting jurisdiction over the parties or transactions.
 - It is the responsibility of the buyer or distributor of Renesas Electronics products, or any other party who distributes, disposes of, or otherwise sells or transfers the product to a third party, to notify such third party in advance of the contents and conditions set forth in this document.
 - This document shall not be reprinted, reproduced or duplicated in any form, in whole or in part, without prior written consent of Renesas Electronics.
 - Please contact a Renesas Electronics sales office if you have any questions regarding the information contained in this document or Renesas Electronics products.
- (Note 1) "Renesas Electronics" as used in this document means Renesas Electronics Corporation and also includes its directly or indirectly controlled subsidiaries.
 (Note 2) "Renesas Electronics product(s)" means any product developed or manufactured by or for Renesas Electronics.

(Rev.5.0-1 October 2020)

SALES OFFICES

Refer to "<http://www.renesas.com/>" for the latest and detailed information.

Renesas Electronics Corporation

TOYOSU FORESIA, 3-2-24 Toyosu, Koto-ku, Tokyo 135-0061, Japan

Renesas Electronics America Inc. Milpitas Campus

1001 Murphy Ranch Road, Milpitas, CA 95035, U.S.A.

Tel: +1-408-432-8888, Fax: +1-408-434-5351

Renesas Electronics America Inc. San Jose Campus

6024 Silver Creek Valley Road, San Jose, CA 95138, USA

Tel: +1-408-284-8200, Fax: +1-408-284-2775

Renesas Electronics Canada Limited

9251 Yonge Street, Suite 8309 Richmond Hill, Ontario Canada L4C 9T3

Tel: +1-905-237-2004

Renesas Electronics Europe GmbH

Arcadiastrasse 10, 40472 Düsseldorf, Germany

Tel: +49-211-6503-0, Fax: +49-211-6503-1327

Renesas Electronics (China) Co., Ltd.

Room 101-T01, Floor 1, Building 7, Yard No. 7, 8th Street, Shangdi, Haidian District, Beijing 100085, China

Tel: +86-10-8235-1155, Fax: +86-10-8235-7679

Renesas Electronics (Shanghai) Co., Ltd.

Unit 301, Tower A, Central Towers, 555 Langa Road, Putuo District, Shanghai 200333, China

Tel: +86-21-2226-0888, Fax: +86-21-2226-0999

Renesas Electronics Hong Kong Limited

Unit 1601-1611, 16/F., Tower 2, Grand Century Place, 193 Prince Edward Road West, Mongkok, Kowloon, Hong Kong

Tel: +852-2265-6688, Fax: +852-2886-9022

Renesas Electronics Taiwan Co., Ltd.

13F, No. 363, Fu Shing North Road, Taipei 10543, Taiwan

Tel: +886-2-8175-9600, Fax: +886-2-8175-9670

Renesas Electronics Singapore Pte. Ltd.

80 Bendemeer Road, #06-02 Singapore 339949

Tel: +65-6213-0200, Fax: +65-6213-0300

Renesas Electronics Malaysia Sdn Bhd.

Unit No 3A-1 Level 3A Tower 8 UOA Business Park, No 1 Jalan Pengaturcara U1/51A, Seksyen U1, 40150 Shah Alam, Selangor, Malaysia

Tel: +60-3-5022-1288, Fax: +60-3-5022-1290

Renesas Electronics India Pvt. Ltd.

No.777C, 100 Feet Road, HAL 2nd Stage, Indiranagar, Bangalore 560 038, India

Tel: +91-90-67208700

Renesas Electronics Korea Co., Ltd.

17F, KAMCO Yangjae Tower, 262, Gangnam-daero, Gangnam-gu, Seoul, 06265 Korea

Tel: +82-2-558-3737, Fax: +82-2-558-5338