



Position switch Plastic enclosure 40 mm according to EN 50041 Device connection 1 x (M20 x 1.5) 1 NO/2 NC quick action contacts Rounded plunger made of plastic

|   |  |
|---|--|
| <b>product brand name</b>   | SIRIUS   |
| <b>product designation</b>  | Mechanical position switches   |
| <b>product type designation</b>   | 3SE5   |
| <b>manufacturer's article number</b>  |  |
| <ul style="list-style-type: none"> <li>• of the supplied basic switch</li> <li>• of the supplied actuator head for position switches</li> <li>• of the supplied switching contacts</li> <li>• of the supplied empty enclosure with cover</li> </ul> | <a href="#">3SE5132-0LA00</a><br><a href="#">3SE5000-0AC03</a><br><a href="#">3SE5000-0LA00</a><br><a href="#">3SE5132-0AA00</a> |
| suitability for use safety switch   | Yes  |
| <b>General technical data</b>   |  |
| product function positive opening   | Yes  |
| insulation voltage rated value  | 400 V  |
| <b>degree of pollution</b>  | class 3  |
| <b>surge voltage resistance rated value</b>   | 6 kV   |
| <b>protection class IP</b>  | IP66/IP67  |
| <b>shock resistance</b>   |  |
| <ul style="list-style-type: none"> <li>• according to IEC 60068-2-27</li> </ul>   | 30g / 11 ms  |
| vibration resistance according to IEC 60068-2-6   | 0.35 mm/5g   |
| mechanical service life (switching cycles) typical  | 15 000 000   |
| electrical endurance (switching cycles) at AC-15 at 230 V typical   | 100 000  |
| <b>electrical endurance (switching cycles) with contactor 3RH11, 3RT1016, 3RT1017, 3RT1024, 3RT1025, 3RT1026 typical</b>  | 10 000 000   |
| <b>Electrical operating cycles in one hour with contactor 3RH11, 3RT1016, 3RT1017, 3RT1024, 3RT1025, 3RT1026</b>  | 6 000  |
| <b>thermal current</b>  | 10 A   |
| <b>material of the enclosure of the switch head</b>   | plastic  |
| <b>reference code according to IEC 81346-2</b>  | B  |
| <b>continuous current of the C characteristic MCB</b>   | 1 A; for a short-circuit current smaller than 400 A  |
| <b>continuous current of the quick DIAZED fuse link</b>   | 10 A; for a short-circuit current smaller than 400 A   |
| <b>continuous current of the DIAZED fuse link gG</b>  | 6 A  |
| <b>active principle</b>   | mechanical   |
| <b>repeat accuracy</b>  | 0.05 mm  |
| <b>Substance Prohibitance (Date)</b>  | 07/01/2006   |
| <b>minimum actuating force in directions of actuation</b>   | 20 N   |
| <b>length of the sensor</b>   | 103.5 mm   |
| <b>width of the sensor</b>  | 40 mm  |
| <b>design of the switching contact</b>  | mechanical   |
| <b>operating frequency rated value</b>  | 50 ... 60 Hz   |

|  |         |
|--|---------|
| number of NC contacts for auxiliary contacts             | 2       |
| number of NO contacts for auxiliary contacts             | 1       |
| <b>operational current at AC-15</b>                      |         |
| • at 24 V rated value                                    | 6 A     |
| • at 125 V rated value                                   | 6 A     |
| • at 240 V rated value                                   | 6 A     |
| • at 400 V rated value                                   | 4 A     |
| <b>operational current at DC-13</b>                      |         |
| • at 24 V rated value                                    | 3 A     |
| • at 125 V rated value                                   | 0.55 A  |
| • at 250 V rated value                                   | 0.27 A  |
| • at 400 V rated value                                   | 0.12 A  |
| design of the interface for safety-related communication | without |

|   |               |
|---|---------------|
| <b>Enclosure</b>                            |               |
| design of the housing                       | block, narrow |
| material of the enclosure                   | plastic       |
| coating of the enclosure                    | Other types   |
| design of the housing according to standard | Yes           |

|   |                                  |
|---|----------------------------------|
| <b>Drive Head</b>                           |                                  |
| design of the actuating element             | Rounded plunger, plastic plunger |
| standard-compliant actuator head            | EN 50041, design B               |
| shape of the switch head                    | rounded                          |
| design of the switching function            | positive opening                 |
| circuit principle                           | snap-action contacts             |
| number of switching contacts safety-related | 2                                |

|  |   |
|--|---|
| <b>Connections/ Terminals</b>                |   |
| type of electrical connection                | screw-type terminals  |
| type of connectable conductor cross-sections |   |
| • solid                                      | 1x (0.5 ... 1.5 mm <sup>2</sup> ), 2x (0.5 ... 0.75 mm <sup>2</sup> ) |
| • finely stranded with core end processing   | 1x (0.5 ... 1.5 mm <sup>2</sup> ), 2x (0.5 ... 0.75 mm <sup>2</sup> ) |
| • at AWG cables solid                        | 1x (20 ... 16), 2x (20 ... 18)  |
| • at AWG cables stranded                     | 1x (20 ... 16), 2x (20 ... 18)  |
| cable entry type                             | 1x (M20 x 1.5)  |

|                                |         |
|--------------------------------|---------|
| <b>Communication/ Protocol</b> |         |
| design of the interface        | without |

|  |                |
|--|----------------|
| <b>Ambient conditions</b>              |                |
| ambient temperature                    |                |
| • during operation                     | -25 ... +85 °C |
| • during storage                       | -40 ... +90 °C |
| explosion protection category for dust | none           |

|   |              |
|---|--------------|
| <b>Installation/ mounting/ dimensions</b> |              |
| mounting position                         | any          |
| fastening method                          | screw fixing |

|                                |  |
|--------------------------------|--|
| <b>Certificates/ approvals</b> |  |
| General Product Approval       |  |



[Confirmation](#)



|                                       |                           |       |
|---------------------------------------|---------------------------|-------|
| Functional Safety/Safety of Machinery | Declaration of Conformity | other |
|---------------------------------------|---------------------------|-------|

Further information

Information- and Downloadcenter (Catalogs, Brochures,...)

<https://www.siemens.com/ic10>

Industry Mall (Online ordering system)

<https://mall.industry.siemens.com/mall/en/en/Catalog/product?mlfb=3SE5132-0LC03>

Cax online generator

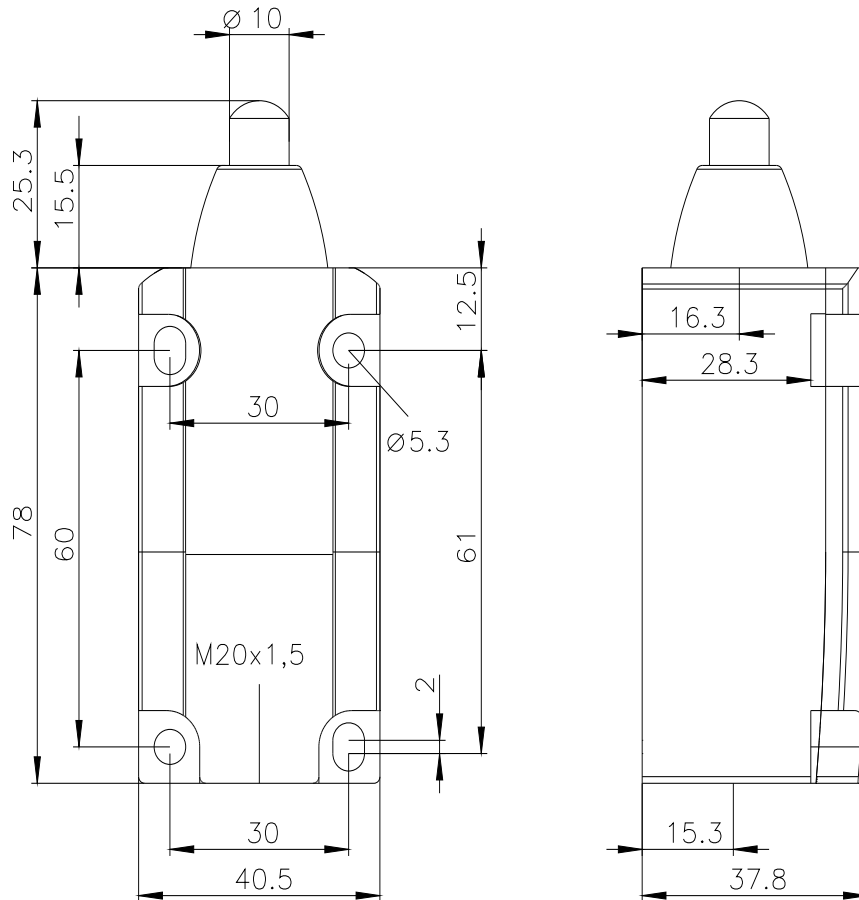
<http://support.automation.siemens.com/WW/CAXorder/default.aspx?lang=en&mlfb=3SE5132-0LC03>

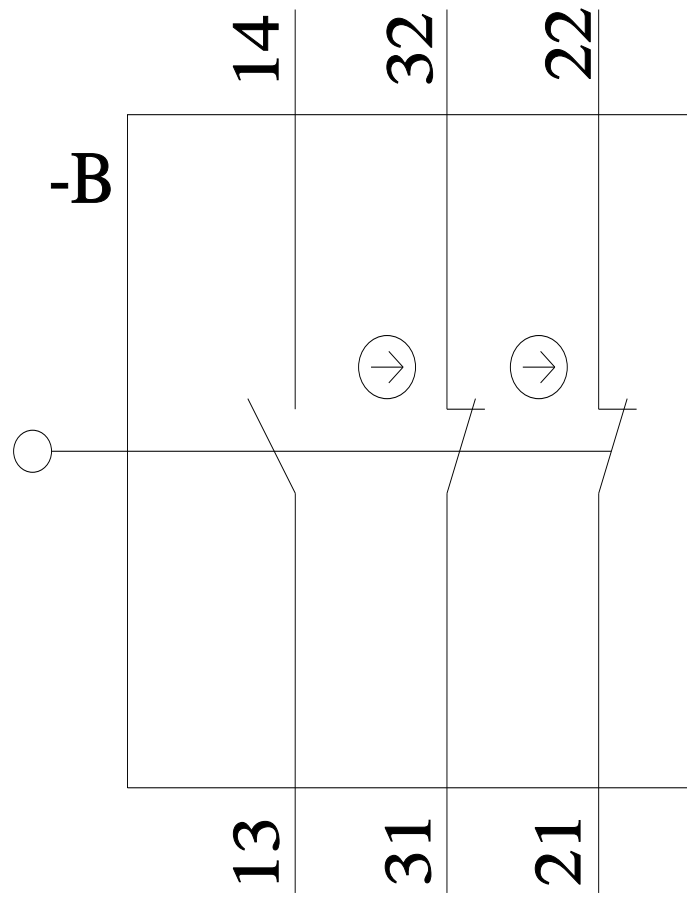
Service&Support (Manuals, Certificates, Characteristics, FAQs,...)

<https://support.industry.siemens.com/cs/ww/en/ps/3SE5132-0LC03>

Image database (product images, 2D dimension drawings, 3D models, device circuit diagrams, EPLAN macros, ...)

[http://www.automation.siemens.com/bilddb/cax\\_de.aspx?mlfb=3SE5132-0LC03&lang=en](http://www.automation.siemens.com/bilddb/cax_de.aspx?mlfb=3SE5132-0LC03&lang=en)





last modified:

12/21/2020 