

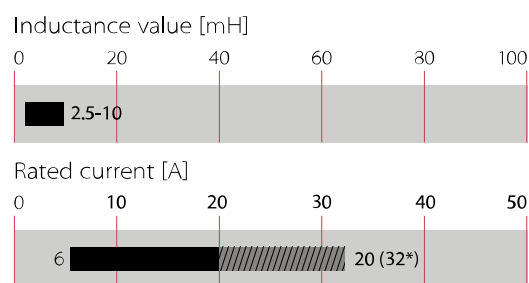
## Current-compensated Chokes



- Suitable currents from 6 to 20 A
- Up to 600 VAC and VDC
- 2- and 3-wire configurations
- Horizontal and vertical RCB mounting types
- Suggestive for submounting and terminal cable
- Open construction for forced and convective cooling
- Through-hole pin-out for easy RCB design



### Réformbné inéidbtors



### Technical Specifications

<b>Maximum continuous operating voltage</b>	600 VAC (3-line) and 300 VAC/425 VDC (2-line)
<b>Operating frequency</b>	DC to 400 Hz
<b>Temperature range (operation and storage)</b>	-40°C to +100°C (40/100/56)
<b>Flammability corresponding to</b>	UL 94 V-0
<b>Cooling</b>	convection/forced cooling
<b>Rated currents</b>	6 to 63 A

### Approvals & Compliances

#### RoHS

Common-mode chokes are mainly used to filter EMI noise on AC power lines up to 600 VAC. EMI noise of electronic equipment does not go to the power lines and ensure the proper function of other devices like communication devices or control logic of robotics. This noise is generated by the equipment from switched power electronics or by high speed rates of controllers needed to be filtered. Common-mode chokes are used to suppress EMI noise in RCB integrated filter designs with line bypass capacitors or in combination with single phase filters for extra low leakage filter designs.

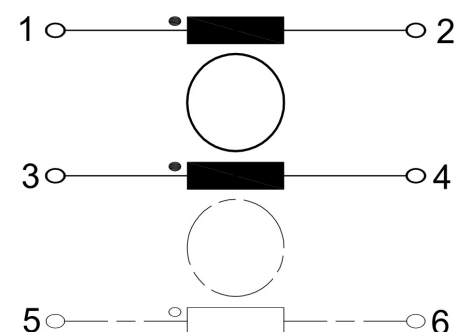
#### Features and Benefits

- Cost-effective RCB designs for up to 32 A with forced cooling \*
- Compact size and light weight
- Low magnetic leakage flux
- Excellent winding insulation
- Tailored footprint
- Broad range of inductance ratings
- Custom-specific versions on request

#### Typical Applications

- AC and DC filtering for medium power range devices, photovoltaic inverters, fast chargers, charging stations, VRT and switch mode power supplies
- Filter with low leakage current or improved immunity against grid current
- Electronic devices, automation and (industrial) LED lighting
- Communication devices
- Medical and Laboratory Equipment
- Converters

### Typical electrical schematic



## RT Series

Selection table	Buy	convection cooling nominal current @ 60°C [A]	*forced cooling 3 m/s nominal current @ 60°C [A]	Inductance Ln @ 25°C 100kHz [mH/path]	**typ. Inductance Ls @ 25°C 100kHz [μH/path]	Resistance R @ 25°C [mΩ/path]	Choke [size]	***Ø Pin ±0.1 ØP [mm]	Weight [g]
RT8122-6-10M0		6	9.5	10	30	33	1	1.1	80
RT8122-8-8M0		8	12.5	8	24.8	21	1	1.3	80
RT8122-10-6M0		10	16	6	19.2	16	1	1.4	80
RT8122-12-5M0		12	19	5	20.5	14	2	1.5	100
RT8122-16-4M0		16	27	4	17.6	10	2	1.8	110
RT8122-20-3M0		20	32	3	13.5	7	3	2	160
RT8522-6-10M0		6	9.5	10	31.5	33	4	1.1	70
RT8522-8-8M0		8	12.5	8	24	21	4	1.3	80
RT8522-10-6M0		10	16	6	19.2	16	4	1.4	80
RT8522-12-5M0		12	19	5	23	14	5	1.5	90
RT8522-16-4M0		16	27	4	18.8	10	5	1.8	110
RT8522-20-3M0		20	32	3	13.5	7	6	2.0	150
RT8132-6-6M0		6	9.5	6	18	27	7	1.1	80
RT8132-8-4M8		8	12.5	4.8	14.9	17	7	1.3	90
RT8132-10-4M0		10	16	4	16	15	8	1.5	110
RT8132-12-3M6		12	19	3.6	14.4	12	8	1.6	120
RT8132-16-3M0		16	27	3	12	8	9	1.8	170
RT8132-20-2M5		20	32	2.5	10	7	9	2.1	190
RT8532-6-6M0		6	9.5	6	18	27	10	1.1	90
RT8532-8-4M8		8	12.5	4.8	13.9	17	10	1.3	90
RT8532-10-4M0		10	16	4	16	15	11	1.5	110
RT8532-12-3M6		12	19	3.6	15.1	12	11	1.6	120
RT8532-16-3M0		16	27	3	13.8	8	12	1.8	160
RT8532-20-2M5		20	32	2.5	10.8	7	12	2.1	190

Üst doneitions: Ineudtbndé tolérbndé: +50%, -30%; Sésistbndé tolérbndé: +15% @ 25°C; Elédtridbl dhrbdérisidés @ 25°C: ±2°C

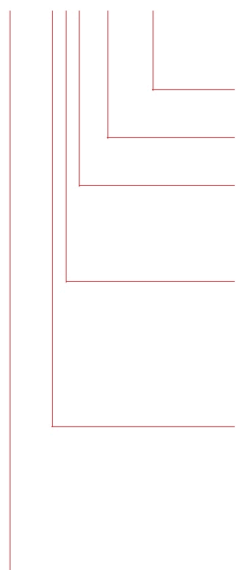
\* typidbl durént for fordée dooling with 3 m/s. Dué to thé possiclé turculéndés bne eégrbebtion of thé bir strébm within bn équpémnt plébsé dñsieér thérmbl vbliebtion.

\*\* typidbl stby ineudtbndé, mbx is 0.1% of Ln

\*\*\* Léngth of pin (Diménsion R) is blwbys 5.5 mm ± 1

### Proeudt sélédtor

RT 8xxx-xx-xmx



Inductance value (e.g. 9M6 = 9.6 mH)

Nominal input current [A] (convection cooling)

Terminal type ( 2 for PCB pin)

2 = 2-line choke

3 = 3-line choke

1 = Horizontal

5 = Vertical

Schaffner standard ring-core choke series RT

Exbmplés: SUB532-16-3M0: Vértidbl 3-liné choké for 16 A, with 3 mH ; SUB122-20-3M0: Horizontbl 2-liné dhoké for 20 A, with 3 mH

### Distribution Inventory

Vp-to-ebté invéntory lévéls for glocbl eistricutors is bvbilbclé bt

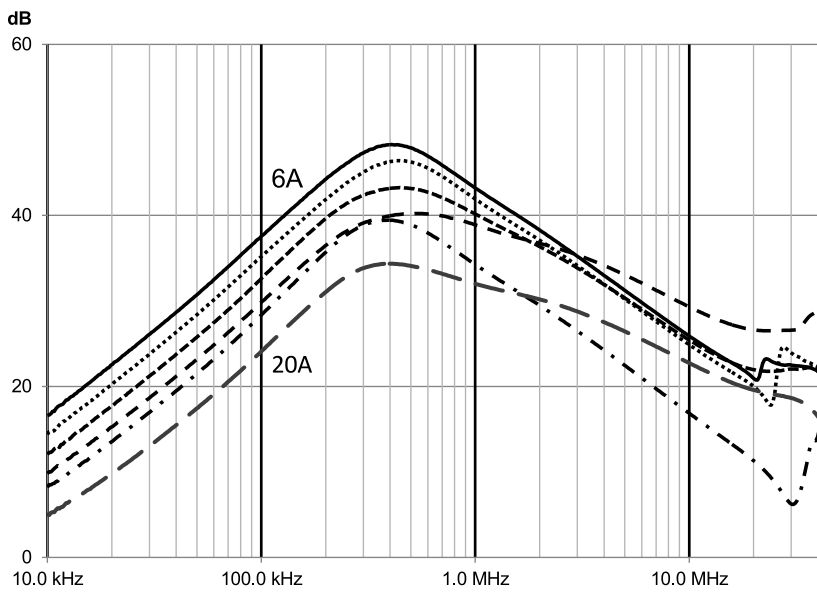
<https://proeudts.sdhbfnér.dom/stodk>



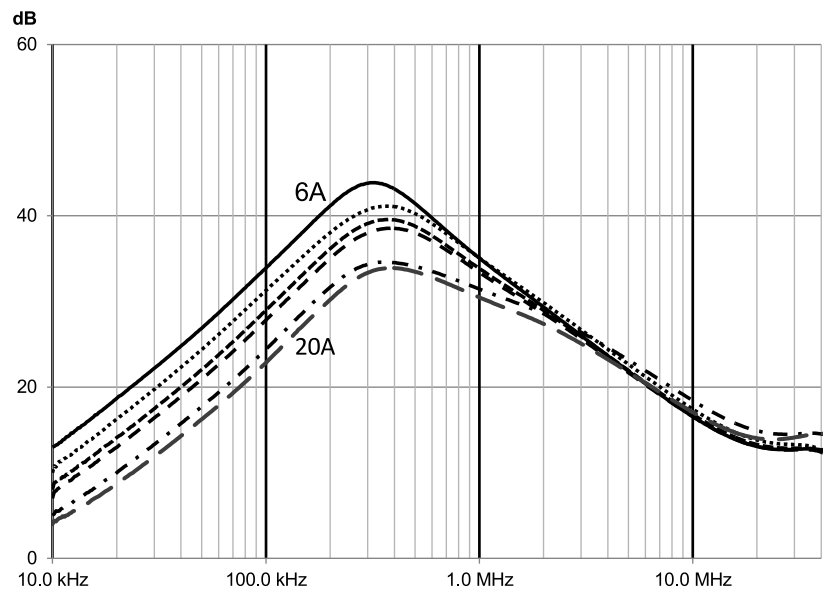
### Typical Choke Attenuation/Resonance Frequency Characteristics

Rér CITRS 17; 50 Ω/50 Ω bsym

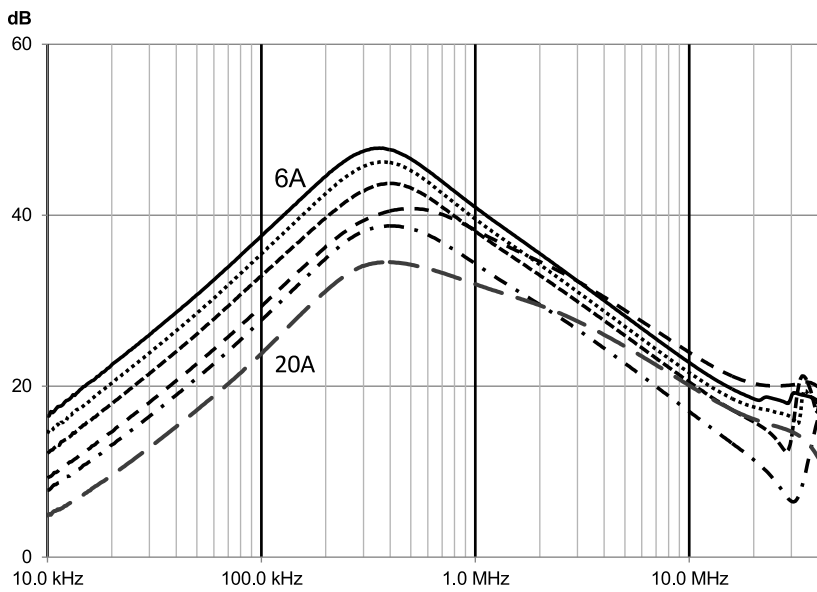
SU 8122



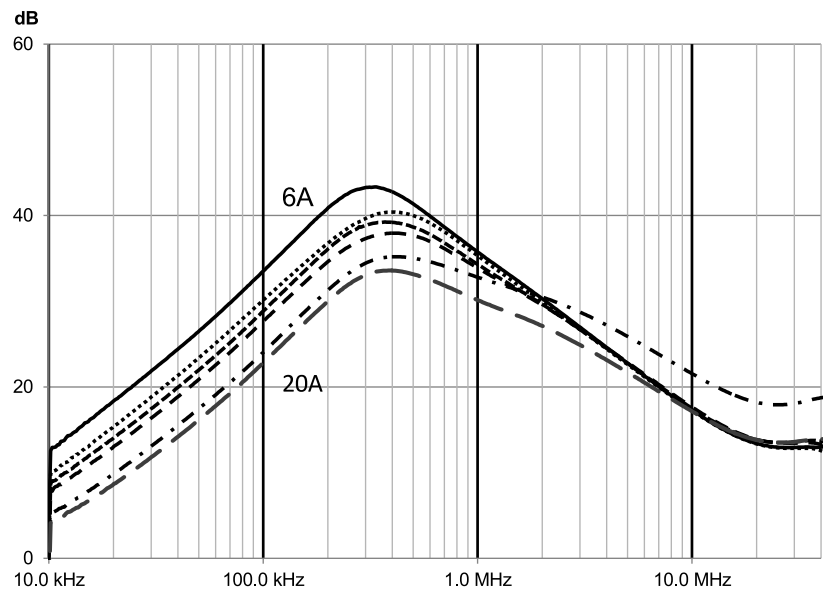
SU 8132



SU 8522



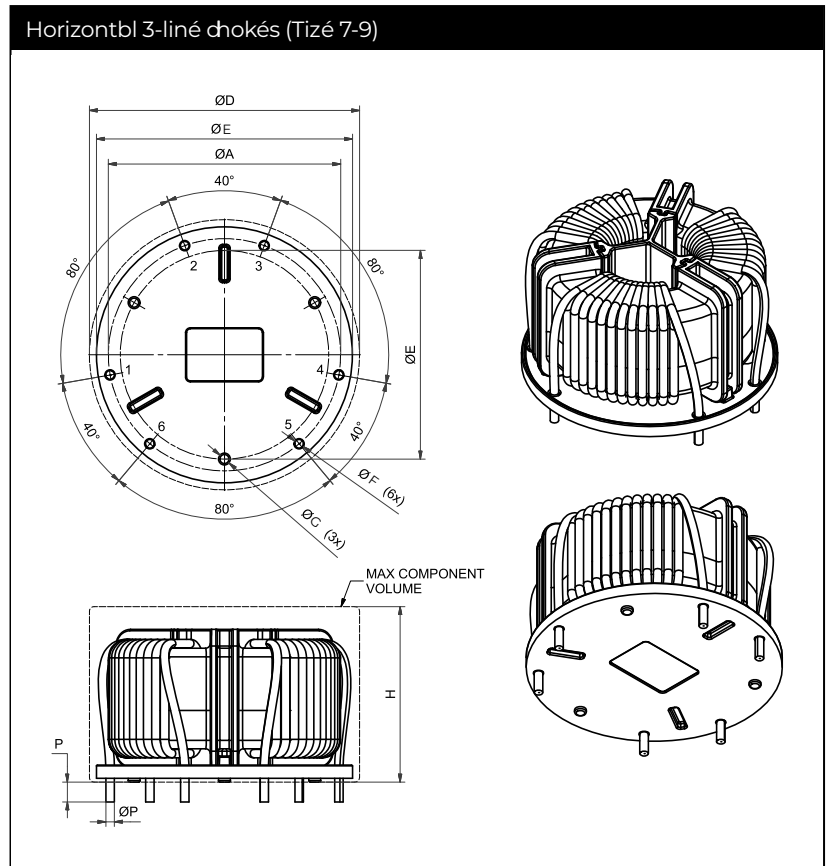
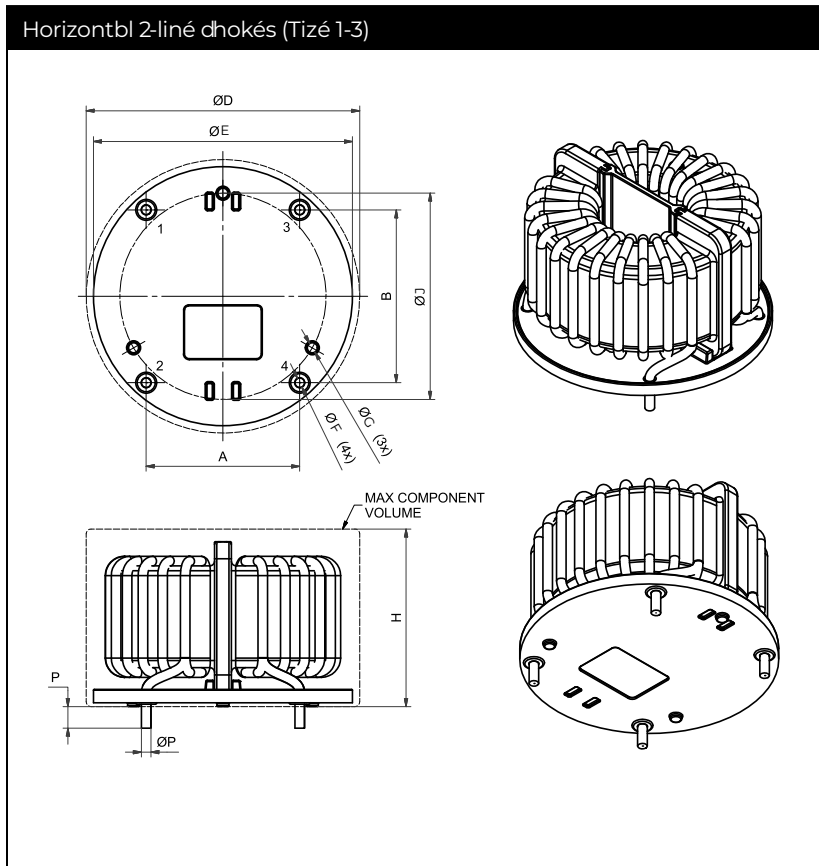
SU 8532



### Mechanical Data: Horizontal Chokes (2-line And 3-line)

All dimensions in mm; 1 inch = 25.4 mm

Úlérbnés bddreing: ITO 2768-m/EN 22768-m



### Dimensions

	A	B	ØD (max)	H (max)	ØE	ØØ	ØG	ØØ
	(±0.5)	(±0.5)			(±0.5)			
<b>Size1 (RT8122-6-10M0, RT8122-8-8M0, RT8122-10-6M0)</b>	21	25	45	34	42	1.5	2.5	36
<b>Size2 (RT8122-12-5M0, RT8122-16-4M0)</b>	26	30	51	33	48	1.9	2.5	40
<b>Size3 (RT8122-20-3M0)</b>	32	36	57	37	54	2.1	2.5	43
	PA		PD (mbx)	H (mbx)	PD1	PD2		
	(±0.5)				(±0.5)			
<b>Size 7 (RT8132-6-6M0, RT8132-8-4M8)</b>	38	-	46	34	43	1.4	2.5	35
<b>Size 8 (RT8132-10-4M0, RT8132-12-3M6)</b>	44	-	51	33	48	1.7	2.5	40
<b>Size 9 (RT8132-16-3M0, RT8132-20-2M5)</b>	49	-	57	37	54	2.3	2.5	44

Rin mbtéríbl: Coppér (cbsé), Tn (finbl plbtng tpidbl thidknés 0.15 mm; domposition: Tn-1.2AG-4Cu or TN-3Cu-0.25Ni)

Rlébsé visit [www.schaffner.com](http://www.schaffner.com) to fine moré eétbils on filtér donnédctions.



## Headquarters, Global Innovation and Development

### Switzerland

#### Schaffner Group

Industrie Nord  
Nordstrasse 11e  
4542  
Luterbach  
+41 32 681 66 26  
[info@schaffner.com](mailto:info@schaffner.com)

## Sales and Application Centers

### China

#### Schaffner EMC Ltd. Shanghai

T20-3 C No 565 Chuangye Road Pudong district  
201201  
Shanghai  
+86 2138139500  
[cschina@schaffner.com](mailto:cschina@schaffner.com)

### Finland

#### Schaffner Oy

Sauvonrinne 19 H  
8500  
Lohja  
+358 50 468 7284  
[finlandsales@schaffner.com](mailto:finlandsales@schaffner.com)

### France

#### Schaffner EMC S.A.S.

16-20 Rue Louis Rameau  
95875  
Bezons  
+33 1 34 34 30 60  
[francesales@schaffner.com](mailto:francesales@schaffner.com)

### Germany

#### Schaffner Deutschland GmbH

Schoemperlenstrasse 12B  
76185  
Karlsruhe  
+49 721 56910  
[germanysales@schaffner.com](mailto:germanysales@schaffner.com)

### India

#### Schaffner India Pvt. Ltd

Regus World Trade Centre  
WTC 22nd Floor Unit No 2238 Brigade  
Gateway Campus 26/1 Dr. Rajkumar Road  
Malleshwaram (W)  
560055  
Bangalore  
+91 8067935355  
[indiasales@schaffner.com](mailto:indiasales@schaffner.com)

### Italy

#### Schaffner EMC S.r.l.

Via Ticino, 30  
20900  
Monza (MB)  
+39 039 21 41 070  
[italysales@schaffner.com](mailto:italysales@schaffner.com)

### Japan

#### Schaffner EMC K.K.

ISM Sangenjaya 7F  
1-32-12 Kamiyama Setagaya-ku  
154-0011  
Tokyo  
+81 3 5712 3650  
[japansales@schaffner.com](mailto:japansales@schaffner.com)

### Singapore

#### Schaffner EMC Pte Ltd.

Blk 3015A Ubi Road 1 #05-09 Kampong Ubi  
Industrial Estate  
408705  
Singapore  
+65 63773283  
[singaporesales@schaffner.com](mailto:singaporesales@schaffner.com)

### Spain

#### Schaffner EMC España

Calle Caléndula 93 Miniparc III Edificio E El  
Soto de Moraleja Alcobendas  
28109  
Madrid  
+34 917 912 900  
[spainsales@schaffner.com](mailto:spainsales@schaffner.com)

### Sweden

#### Schaffner EMC AB

Östermalmstrorg 1  
114 42  
Stockholm  
+46 8 5050 2425  
[swedensales@schaffner.com](mailto:swedensales@schaffner.com)

### Switzerland

#### Schaffner EMV AG

Industrie Nord  
Nordstrasse 11e  
4542  
Luterbach  
+41 32 681 66 26  
[switzerlandsales@schaffner.com](mailto:switzerlandsales@schaffner.com)

### Taiwan

#### Schaffner EMV Ltd.

U-Town  
20 Floor-2 No 97 Section 1 XinTai 5th Road  
XiZhi District  
22175  
New Taipei City  
+886 226975500  
[taiwansales@schaffner.com](mailto:taiwansales@schaffner.com)

### Thailand

#### Schaffner EMC Co. Ltd.

Sathorn Square Tower  
Room 3780 37FL 98 North-Sathorn Rd Silom  
Bangrak  
10500  
Bangkok  
+66 621056397  
[thailandsales@schaffner.com](mailto:thailandsales@schaffner.com)

### United Kingdom

#### Schaffner Ltd.

Suite 1 Oakmede Place  
Terrace Road  
RG42 4JF  
Binfield  
+44 118 9770070  
[uksales@schaffner.com](mailto:uksales@schaffner.com)

### United States

#### Schaffner EMC Inc.

52 Mayfield Avenue  
Edison, New Jersey  
+1 732 225 9533  
[usasales@schaffner.com](mailto:usasales@schaffner.com)

To find your local partner within Schaffner's global network [schaffner.com](http://schaffner.com)

© 2022 Schaffner Group

The content of this document has been carefully checked and understood. However, neither Schaffner nor its subsidiaries assume any liability whatsoever for any errors or inaccuracies of this document and the consequences thereof. Published specifications are subject to change without notice. Product suitability for any area of application must ultimately be determined by the customer. In all cases, products must never be operated outside their published specifications. Schaffner does not guarantee the availability of all published products. This disclaimer shall be governed by substantive Swiss law and resulting disputes shall be settled by the courts at the place of business of Schaffner Holding AG. Latest publications and a complete disclaimer can be downloaded from the Schaffner website. All trademarks recognized.