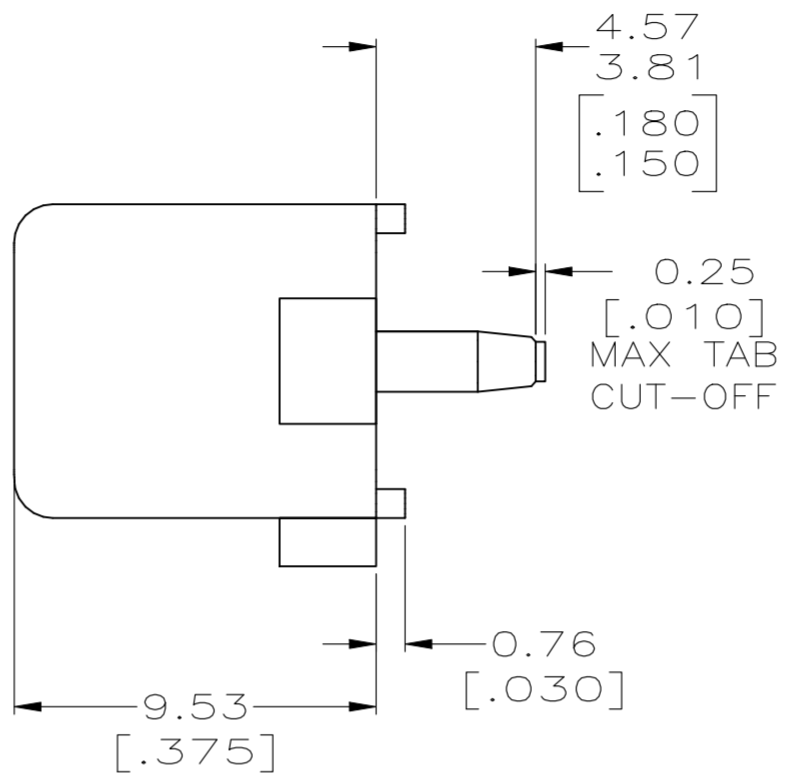
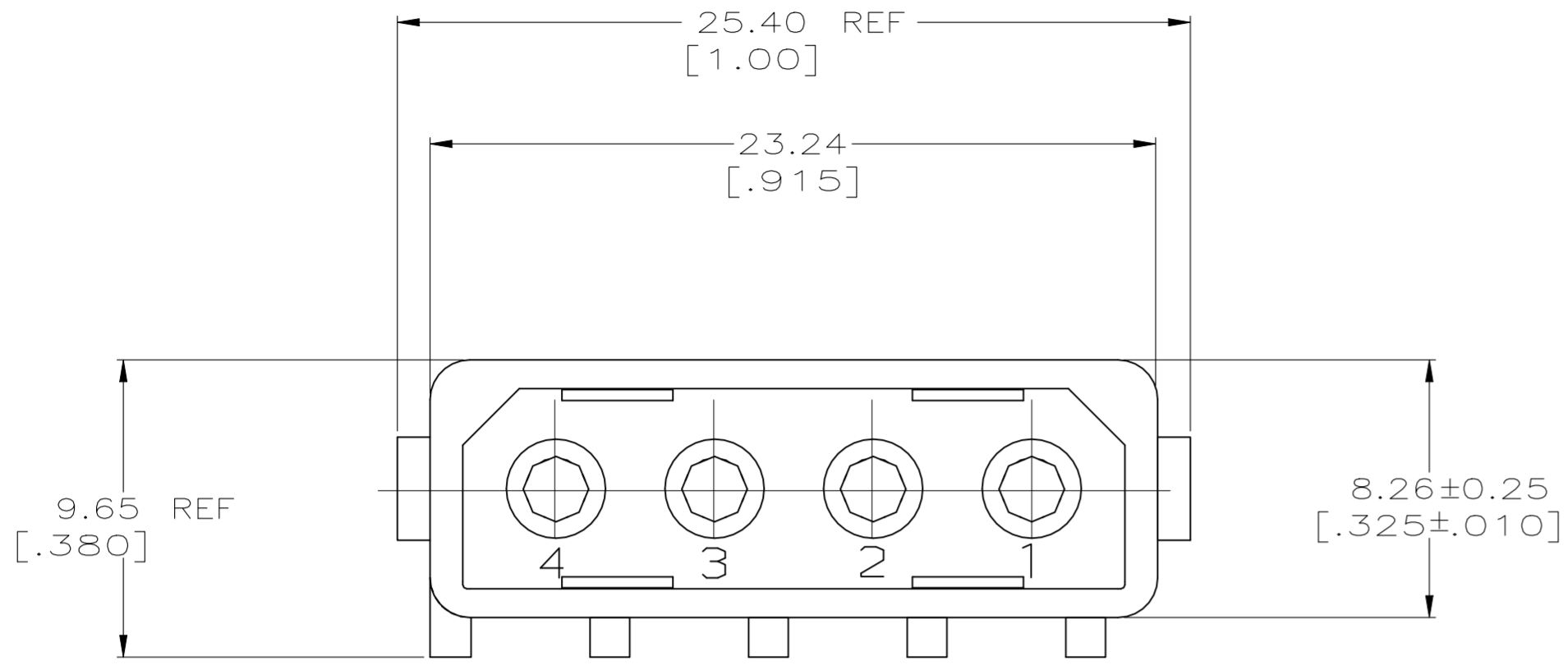
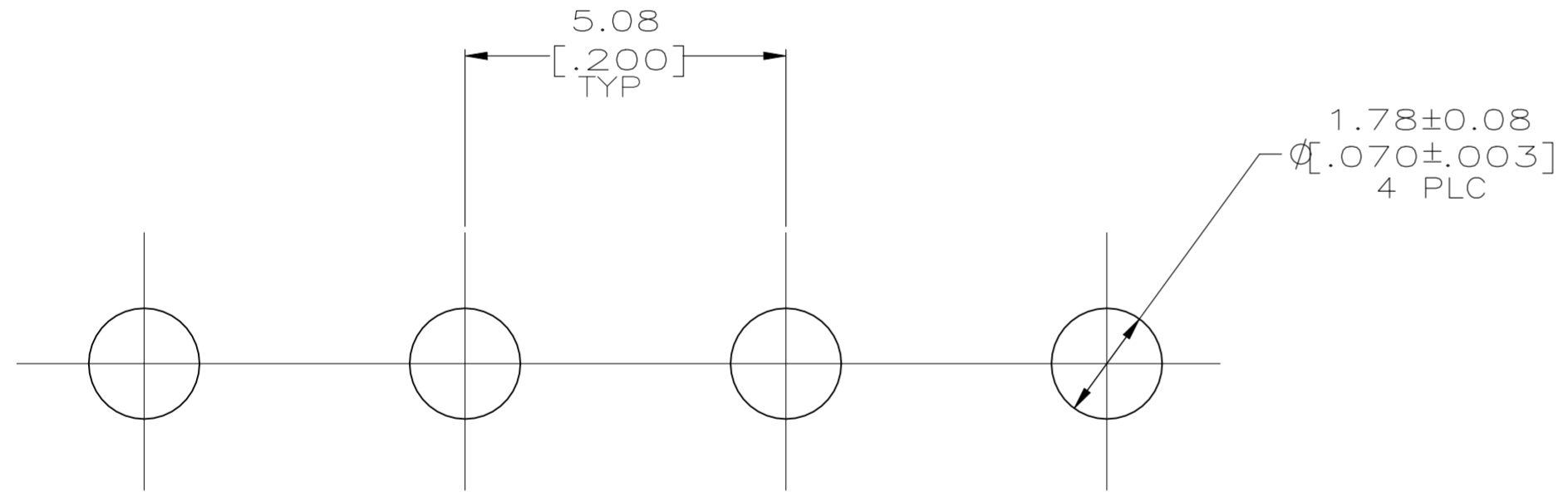


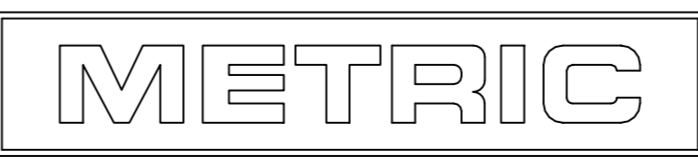
LOC	DIST	REVISIONS			
P	LTR	DESCRIPTION	DATE	DWN	APVD
CM	53	A1	REVISED PER ECR-21-117185	22OCT2021	PJ VS



1. PARTS MUST COMPLY WITH AMP SOLDERABILITY SPECIFICATION 109-11-3.
2. DIMENSIONS IN BRACKETS ARE IN INCHES.
3. DIMENSION SHOWN REPRESENT PRODUCT IN DRY CONDITION. ADDITIONAL 2% GROWTH DUE TO END USE LOCATION MOISTURE ABSORPTION MAY OCCUR AND SHOULD BE ACCOUNTED FOR.



RECOMMENDED P.C. BOARD LAYOUT
 FOR 1.57 [.062] THICK P.C. BOARD
 SCALE 10:1



PH BRZ,PRE-TIN		NYLON,UL94V-0,WHITE	794236-1
PIN CONTACT MATERIAL & FINISH		HOUSING MATERIAL & COLOR	PART NUMBER
<small>THIS DRAWING IS A CONTROLLED DOCUMENT FOR AMP INCORPORATED. IT IS SUBJECT TO CHANGE AND THE CONTROLLING ENGINEERING ORGANIZATION SHOULD BE CONTACTED FOR THE LATEST REVISION.</small>		DWN B. LEWIS 2-04-97 CHK R. SWING 2-04-97 APVD C. MARTIN 2-04-97	AMP AMP Incorporated Harrisburg, PA 17105-3608
DIMENSIONS: mm [INCHES]		TOLERANCES UNLESS OTHERWISE SPECIFIED: 0 PLC ±- 1 PLC ±- 2 PLC ±0.13[.005] 3 PLC ±- 4 PLC ±- ANGLES ±0° 30' FINISH	NAME PRODUCT SPEC APPLICATION SPEC
MATERIAL SEE TABLE		WEIGHT -	SIZE A2 CAGE CODE 00779 DRAWING NO. C=794236
SEE TABLE		CUSTOMER DRAWING	SCALE 5:1 SHEET 1 OF 1 REV A1