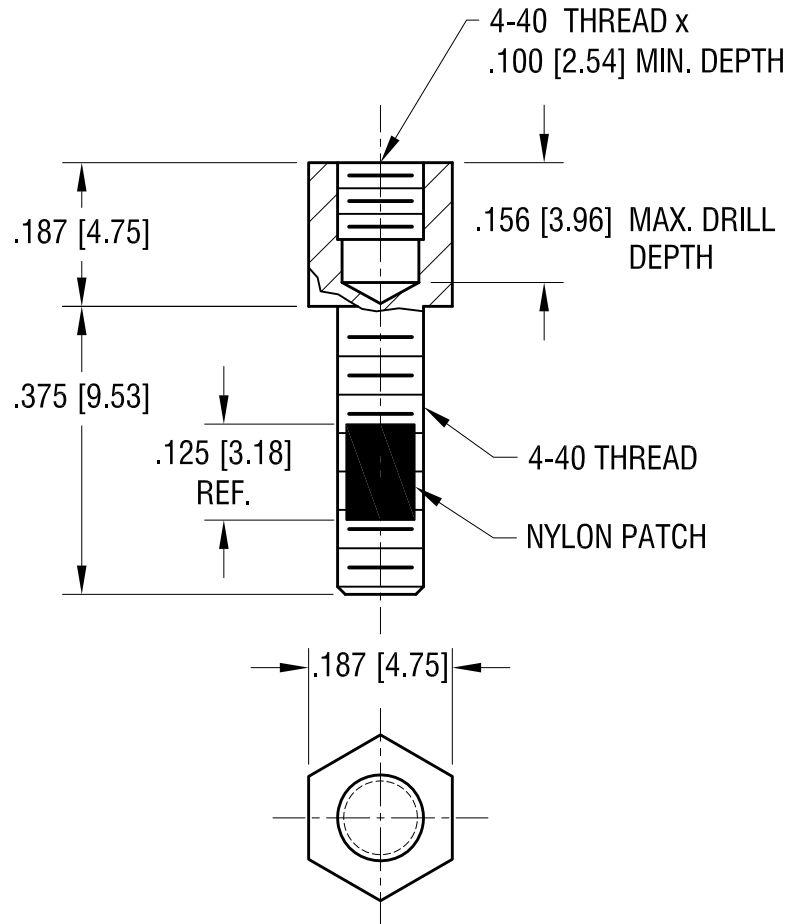
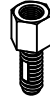


THIS DOCUMENT IS THE PROPERTY OF  
KEYSTONE ELECTRONICS CORP. AND  
SHALL NOT BE REPRODUCED, DISTRIBUTED  
OR USED AS A BASIS FOR MANUFACTURE  
WITHOUT PRIOR WRITTEN PERMISSION  
FROM KEYSTONE ELECTRONICS CORP.

ACTUAL SIZE



**KEYSTONE ELECTRONICS CORP.**

www.keyelco.com • NEW HYDE PARK NY 11040 • Tel (516)328-7500

PART NAME

JACK SCREW W/ NYLON PATCH

MATERIAL

STAINLESS STEEL

FINISH

NONE

DRN BY

BOONE

DATE

2.1.06

APP'D

RH

SCALE

4X

TOLERANCES

INCH [MM]

CODE

DWG NO.

DECIMAL ± .005 [± 0.13]

C

ANGULAR ± 1°  
UNLESS OTHERWISE SPECIFIED

**7268**

DATE	DESCRIPTION	REV.