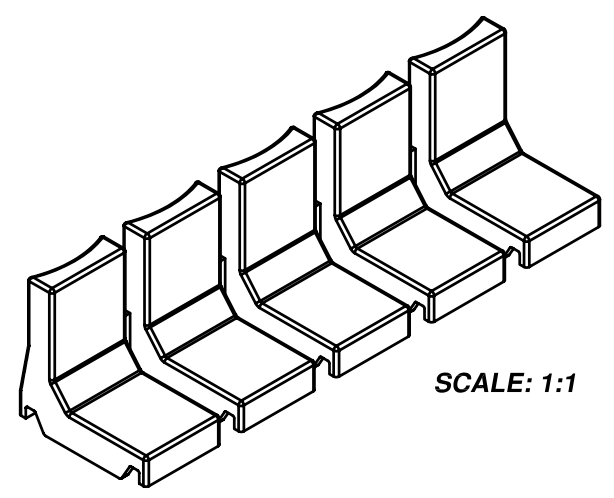
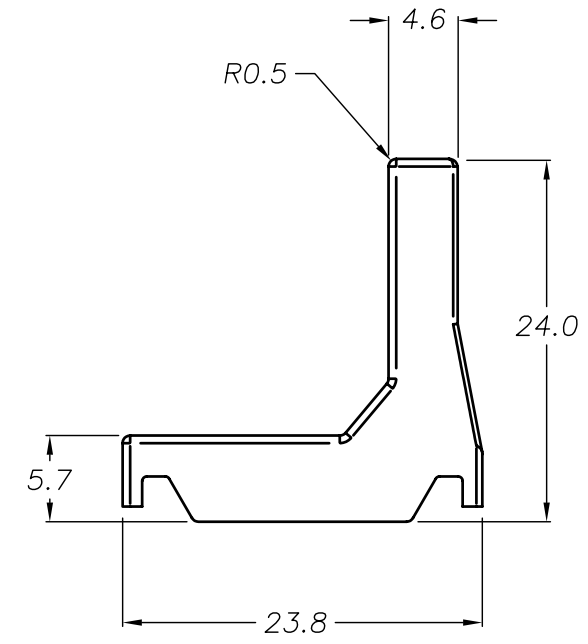
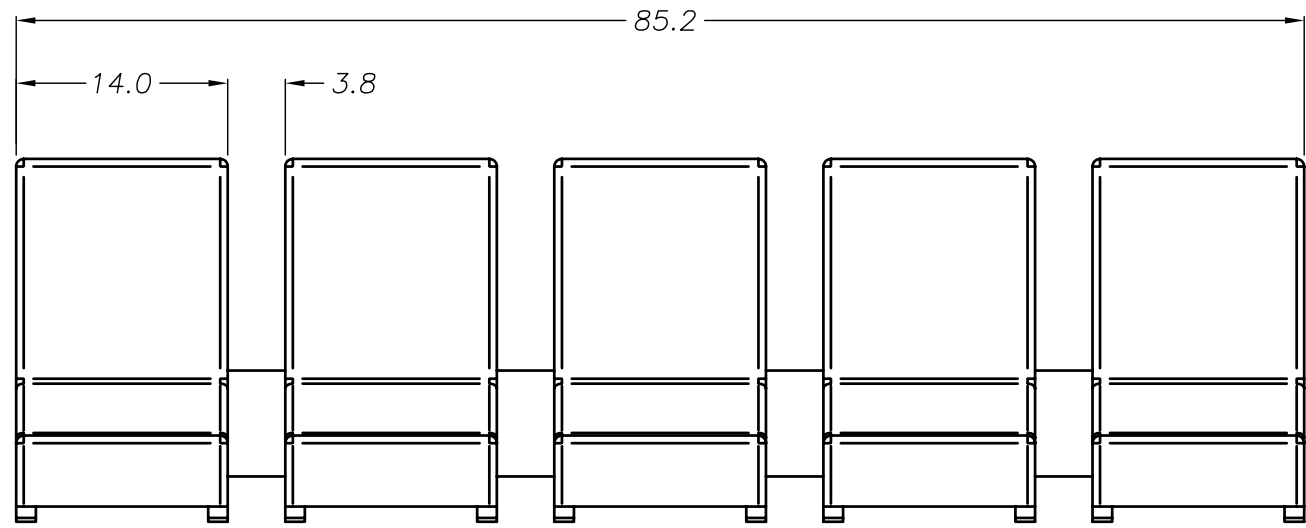
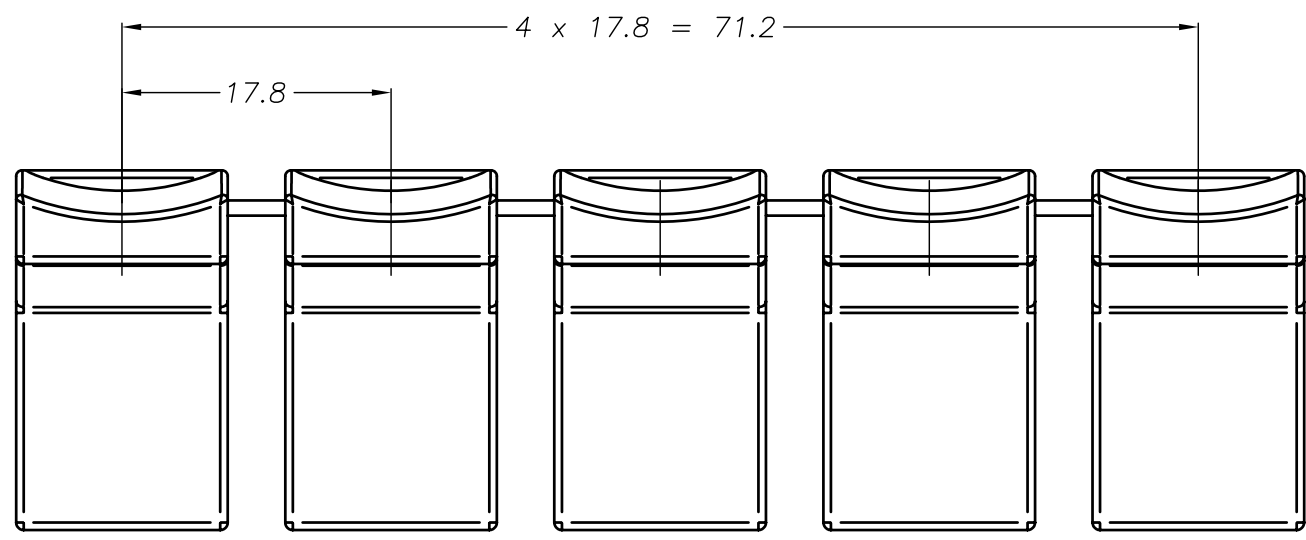


PART NO. FSCVR		PLANT DISTRIBUTION CODE: .	
REV #	REVISIONS	DATE	APPR.
--	INITIAL RELEASE ECN BU-SB11316	JG	3-30 2011
A	REVISED TITLE ECN BU-SB11501	JG	5-3 2011



CUSTOMER PRINT

TOLERANCES UNLESS OTHERWISE SPECIFIED			THIRD ANGLE PROJECTION	DESIGN UNITS METRIC (mm)
METRIC 1 PL DEC.=±0.25 2 PL DEC.=±0.13	ENGLISH 2 PL DEC.=±.01 3 PL DEC.=±.005	FRACTIONAL TOL ±1/64 IN ANGULAR TOL= ±1° ANGULAR TOL 1PL=±0.5°		CREATED USING AUTOCAD

COPYRIGHT — Cooper Industries, Inc.
This is an unpublished work. The disclosure of this work is limited to a select personnel. Further dissemination or disclosure to the public is PROHIBITED. This unpublished work is protected by Federal Copyright Law and all rights thereunder are reserved by Cooper Industries, Inc.

CONFIDENTIAL —
The information contained in this document is the property of Cooper Industries, Inc. It is not for public disclosure. Possession of the information does not convey any right to loan, sell or disclose the information. Unauthorized reproduction or use of the information is PROHIBITED. This document is to be returned to Cooper Industries, Inc. upon completion of the purpose for which it is loaned or upon request.

MATERIAL .		DRAWN BY JG	
FINISH .		DATE 3-30-11	
COOPER Bussmann St. Louis, MO 63178		C/F NO. 83523	SCALE 2:1

TITLE
SAFETY PROTECTION COVER (1000V DC)

PART NO. FSCVR	SHT 1 OF 1	SIZE: B
--------------------------	------------	-------------------