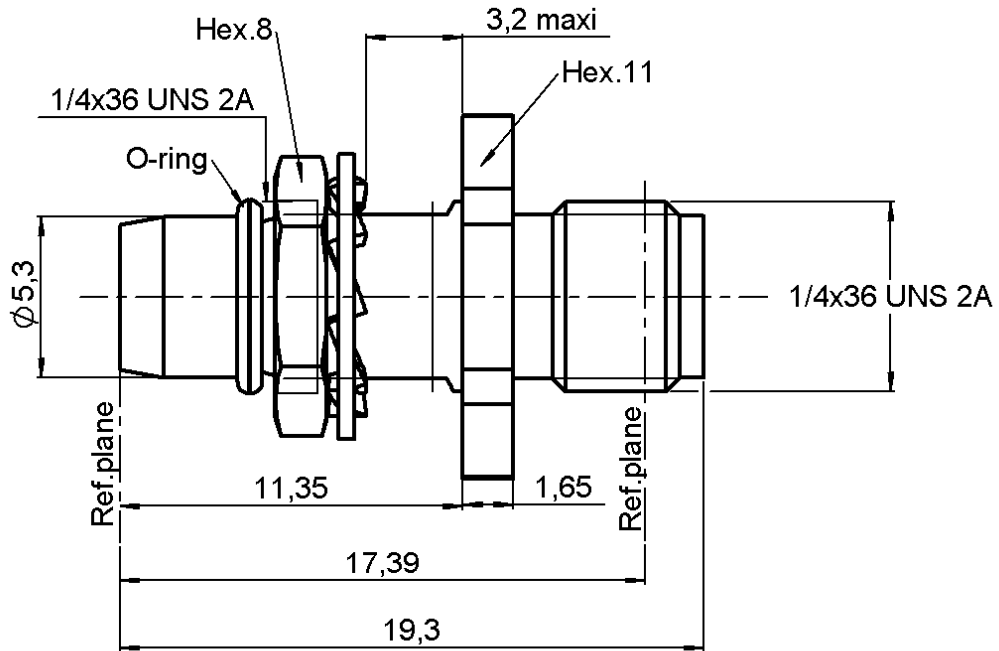


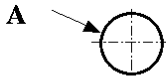
SMA FEMALE - BMA MALE
BULKHEAD STRAIGHT ADAPTER

R191.355.001

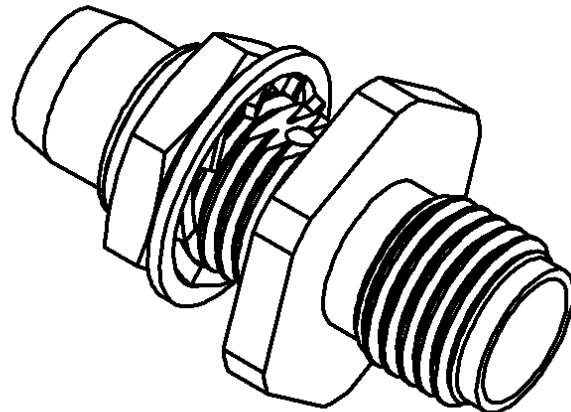
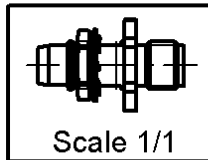
Série : ADAPT



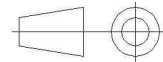
PANEL CUT OUT



mm	
	Maxi mini
A	6.175 6.15



All dimensions are in mm.



COMPONENTS	MATERIALS	PLATING (μm)
BODY	STAINLESS STEEL	PASSIVATED.
CENTER CONTACT	BERYLLIUM COPPER	GOLD 1.3 OVER NICKEL2
OUTER CONTACT	-	-
INSULATOR	PTFE	-
GASKET	SILICONE RUBBER	-
OTHERS PARTS	BRASS	NICKEL 2
-	-	-
-	-	-

Issue : 1206 B

In the effort to improve our products, we reserve the rights to make changes judged to be necessary.



**SMA FEMALE - BMA MALE
BULKHEAD STRAIGHT ADAPTER**

R191.355.001

Série : ADAPT

PACKAGING

Standard	Unit	Other
1		Contact us

SPECIFICATION

ELECTRICAL CHARACTERISTICS

Impedance		50 Ω
Frequency		0-18 GHz
VSWR	1.05 +	0,0050 x F(GHz) Maxi
Insertion loss		0.09 √F(GHz) dB Maxi
RF leakage	- (80 - F(GHz)) dB Maxi
Voltage rating		500 Veff Maxi
Dielectric withstanding voltage		1000 Veff mini
Insulation resistance		5000 MΩ mini

ENVIRONMENTAL

Operating	-65/+165 °C
Hermetic seal	NA Atm.cm3/s
Panel leakage	NA

MECHANICAL CHARACTERISTICS

Center contact retention		
Axial force – Mating end		27 N mini
Axial force – Opposite end		27 N mini
Torque		NA N.cm mini
Recommended torque		
Mating	BMA	0 N.cm
	SMA	0 N.cm
	-	0 N.cm
Panel nut		150 N.cm
Mating life		500 Cycles mini
Weight		3,7460 g

OTHER CHARACTERISTICS

Issue : 1206 B

In the effort to improve our products, we reserve the rights to make changes judged to be necessary.



RADIALL®