



**REED SWITCH DEVELOPMENTS CORP.**

2524 Norwood Court  
Racine, WI 53403  
Ph: (262)883-9060

[sales@reedswitchdevelopments.com](mailto:sales@reedswitchdevelopments.com)

## SPECIFICATION SHEET

**2010-1301-400**

Alternate Part Number:

**AM2010-1301-10K01**

**Active / Equivalent Part Numbers:**

**2010-1301-400 - KIT - Contains**

(1) 2010-1301-100 REV 001 - Magnetic Reed Sensor

(1) 2010-4002-000 - Magnetic Actuator

**AM2010-1301-10K01 - KIT - Contains**

(1) AM2010-1301-10-01 - Magnetic Reed Sensor

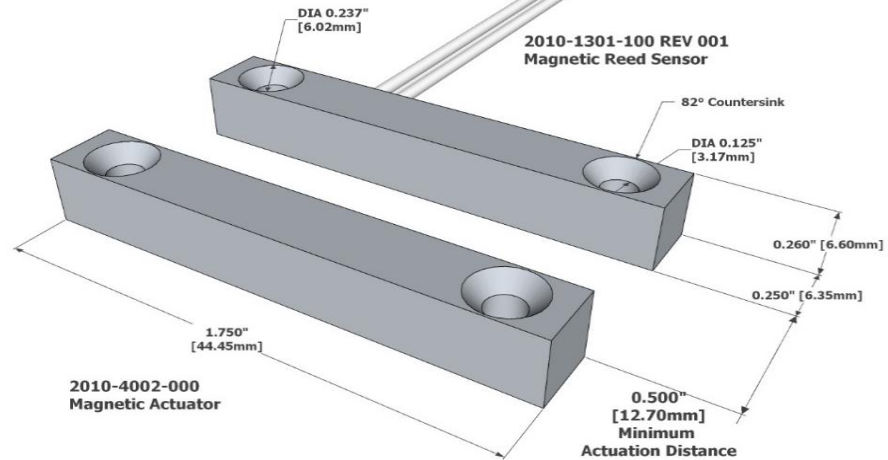
(1) AM2010-4002-00-01 - Magnetic Actuator

**Sensor (Reed) - Specifications 1901 \*\***

<b>Physical</b>	Configuration	SPDT	
	Form	C	
	Contact Position	OFFSET	
	Glass L	14.00	mm
	Glass D	2.30	mm
	Total L*	55.00	mm
	Wire D	0.53	mm
	Gap Location	OFFSET	
	Mount Spec*	THRU	
	Contact Material	RHODIUM	
	Max Vibration Resistance	20	G
	Max Shock Resistance (11ms)	50	G
Lead Tensile Strength	N/A	KG	
<b>Operating</b>	Pull in (+/- 2AT)*	15-20	AT
	Drop out*	5	AT
	Operate Time	2.0	ms
	Bounce Time	0.60	ms
	Release Time	0.50	ms
	Resonant Frequency	N/A	Hz
	Max Operating Frequency	250	Hz
	Operating Temperature Range	-40 - 105	°C
	Storage Temperature	N/A	°C
	<b>Electrical</b>	DC Contact Rating	20
AC Contact Rating		20	VA
DC Switching Voltage		150	VDC
AC Switching Voltage		150	VAC
DC Switching Current		1.00	A
AC Switching Current		1.00	A
DC Max Carry Current		2.00	A
AC Max Carry Current		2.00	A
Min Breakdown Voltage		200	VDC
Max Initial Contact Resistance		150	mOhm
Typical Initial Contact Resistance		N/A	mOhm
Max Contact Capacitance		0.80	pF
Min Insulation Resistance		10 <sup>9</sup>	Ohm

\* Pre-processed, bare reed element

\*\* THIS ASSEMBLY USES ALTERNATE REED



All measurements are in Inches [millimeters]

### Sensor - Wire/Cable Characteristics (cont.)

Type	Wire
Conductor Count	3
Length	6.0"/152.4mm
Colors	RED, BLK, WHT
Insulation Material	PVC
Gauge	24 AWG
Stranded Copper	7 STR-TC
Maximum Temp	105°C

### Conductor Configuration

Common (COM) - WHITE	
Normally Open (NO) - RED	
Normally Closed (NC) - BLACK	

### Housing Characteristics 2010

Rectangular w/ Mounting Holes	
Length	1.750"/44.45mm
Width	0.250"/6.35mm
Height	0.260"/6.60mm
Material	Celanex 3316

### Standard Actuator: 2010-4002-000

Specifications	Description	UM
Magnetic Orientation	Through Length	
Max Operating Temp.	975/525	°F/°C
Curie Temp.	1580/860	°F/°C
BR max	12.8	kGauss
BH max	5.5	MGOe
Coercive Force Hc	640	kOe
Intrinsic Coercive Force Hci	640	kOe

### Std. Sensor/Actuator - Min. Actuation Dist.

2010-4002-000	0.50"/12.7mm
---------------	--------------

### Assembly Certifications

UL Recognized (File #: E102207)	Y
RoHS / REACH Compliant	Y
Conflict Free Material	Y

REV DATE: 10/06/2021

DISCLAIMER NOTICE: INFORMATION FURNISHED IS PROPRIETARY, AND IS BELIEVED TO BE ACCURATE AND RELIABLE, AND IS SUBJECT TO CHANGE WITHOUT NOTICE. IT SHALL BE THE RESPONSIBILITY OF THE BUYER TO ENSURE THAT THE GOODS ARE SUFFICIENT AND SUITABLE FOR THE PURPOSE OR PURPOSES INTENDED (WHETHER BY THE BUYER OR BY ANY THIRD PARTY) AND THAT THEIR CAPACITY AND PERFORMANCE IS NOT ADVERSELY AFFECTED BY ANY ITEMS USED IN THEIR INSTALLATION (WHERE RELEVANT) AND/OR IN CONNECTION WITH THEM.

**WBE Certified - State of Wisconsin - MFR CAGE CODE: 32604**

[www.reedswitchdevelopments.com](http://www.reedswitchdevelopments.com)