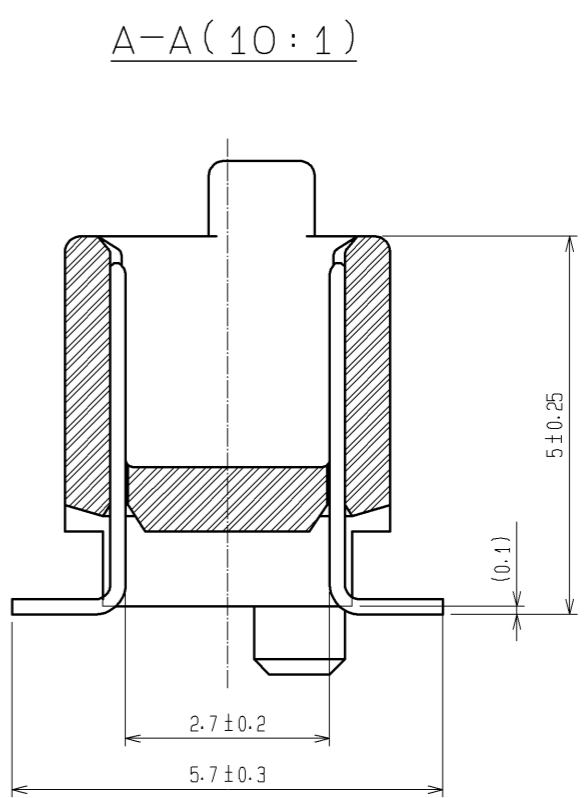
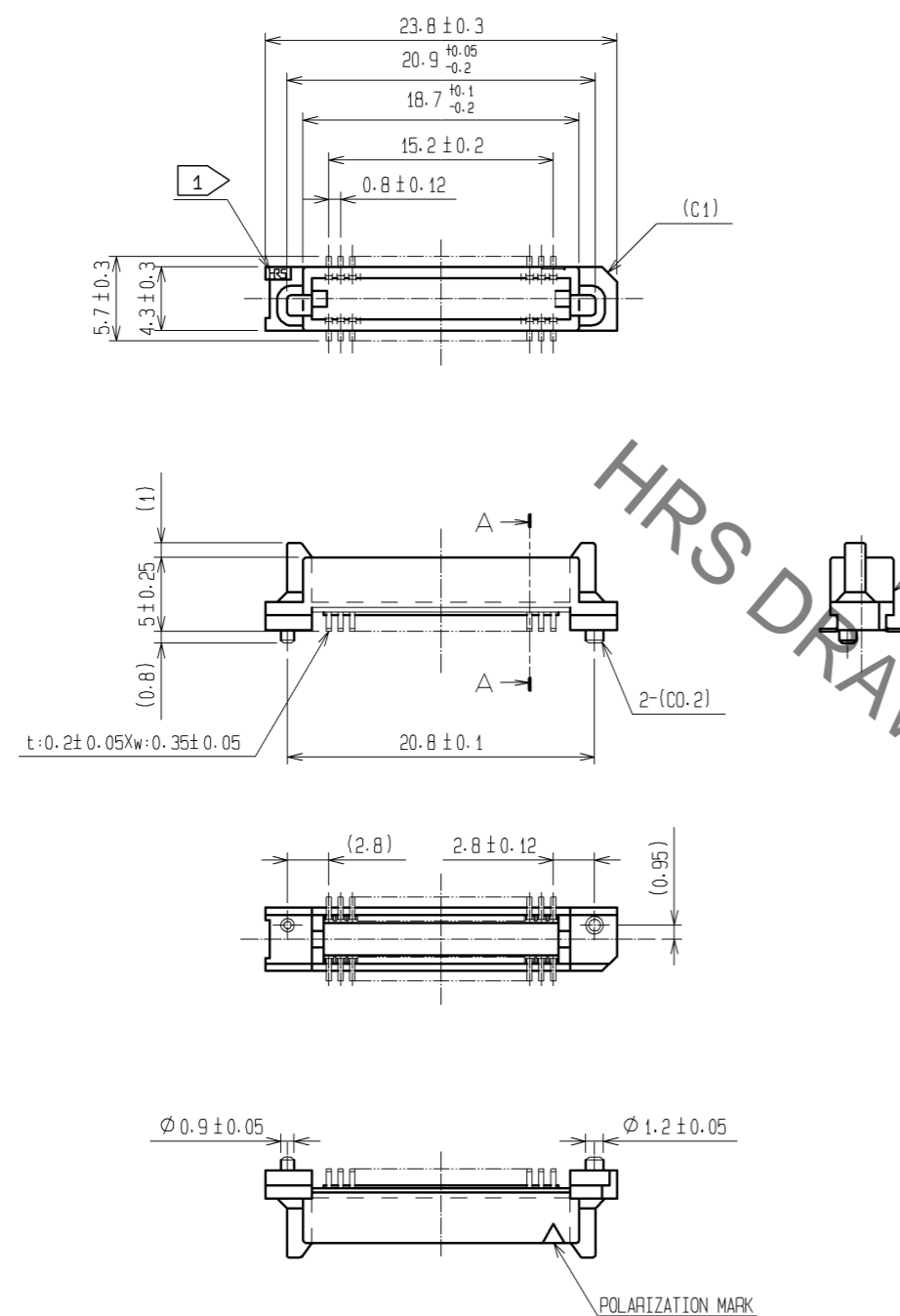
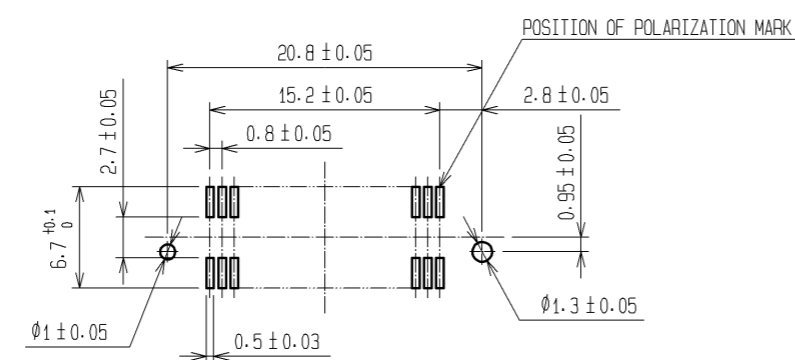


May.1.2023 Copyright 2023 HIROSE ELECTRIC CO., LTD. All Rights Reserved.
In case of consideration for using Automotive equipment / device which demand high reliability, kindly contact our sales window correspondents.



- NOTE
- 1 HRS MARK SHALL BE OPTIONAL.
 - 2 LEAD CO-PLANARITY SHALL BE 0.1mm MAX.
 - 3 EMBOSSED CARRIER TAPE PACKAGING SHALL BE APPLIED FOR THIS PRODUCT. SEE NEXT PAGE FOR DETAILS.
 - 4 FOR MODIFICATION, ETC, PREVENTIVE HOLE FOR SINK MARK MAY BE ADDED ACCORDING TO CIRCUMSTANCES.
 - 5 THE DIMENSIONS IN PARENTHESES ARE FOR REFERENCE.

RECOMMENDED LAND PATTERN DIMENSION OF PCB (MOUNTING SIDE)
(RECOMMENDED METAL MASK THICKNESS: 0.15mm)

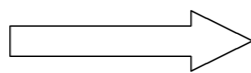


2	PHOSPHOR BRONZE	CONTACT AREA: GOLD 0.1µm min.						
		LEAD AREA: TIN-PLATING 1µm min.						
		UNDER PLATING: NICKEL 1µm min.						
1	PPS	LIGHT BROWN (UL94V-0)	4	POLYESTER	(TOP COVER TAPE)			
			3	POLYSTYRENE	(EMBOSSED CARRIER TAPE)			
NO.	MATERIAL	FINISH . REMARKS	NO.	MATERIAL	FINISH . REMARKS			
UNITS mm		SCALE 2 : 1	COUNT △	DESCRIPTION OF REVISIONS		DESIGNED	CHECKED	DATE
HRS HIROSE ELECTRIC CO., LTD.		APPROVED : HS. OKAWA	08.07.23	DRAWING NO.		EDC3-084966-22		
		CHECKED : HT. YAMAGUCHI	08.07.23	PART NO.		FX6-40P-0.8SV1(92)		
		DESIGNED : SY. KAMIGA	08.07.22	CODE NO.		CL576-0023-6-92		
		DRAWN : HK. SUNADORI	08.07.17			△ 1/2		

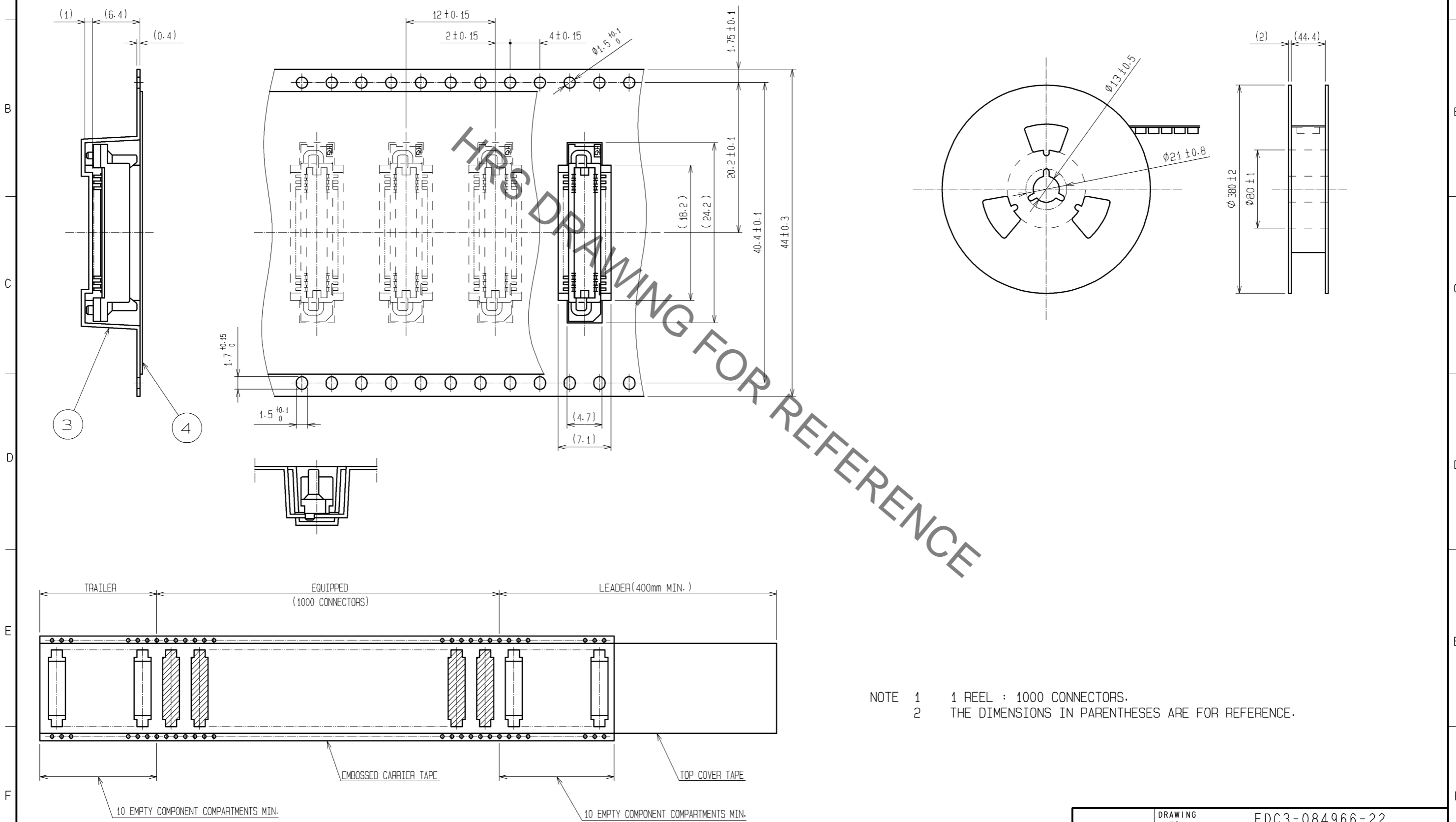
May.1.2023 Copyright 2023 HIROSE ELECTRIC CO., LTD. All Rights Reserved.
In case of consideration for using Automotive equipment / device which demand high reliability, kindly contact our sales window correspondents.

DRAWING FOR PACKING(2:1)

UNREELING DIRECTION



REEL DIMENSION (FREE)



- NOTE 1 1 REEL : 1000 CONNECTORS.
2 THE DIMENSIONS IN PARENTHESES ARE FOR REFERENCE.

HRS	DRAWING NO.	EDC3-084966-22
	PART NO.	FX6-40P-0.8SV1(92)
	CODE NO.	CL576-0023-6-92
		$\triangle 2/2$