



LED DLC8C-22W103swej



Fixture Class: 8" Fixed Recessed



Product Description

The Euri Lighting LED 8" commercial downlight includes two switches on the unit which allows for adjustment of the input power 10W/15W/22W, lumen output 1000lm/1500lm/2000lm, and color temperature 3000K/3500K/4000K. This downlight is made for easy installation in new construction, remodel, and retrofit projects. Its 90+ CRI and frosted lens allow for true color rendering to bring out vivid colors throughout, and glare-free lighting making it ideal for commercial use in retail spaces, hospitals, offices, and airports. Features include: 0-10V dimming, 3CCT selectable, 3 Wattage Selectable, wet rated, JA8, IC Rated, and Energy Star.

*Available accessories include an 8" goof ring and mounting plate.



Estimated Energy Cost:

\$1.20 per year
\$1.80 per year
\$2.65 per year

*Note: Design, features and specifications subject to change without notice. Some features may not be available on all models. Please visit www.eurilighting.com or call 1-310-787-1100 for more information.

Specifications

Input Power	Input Voltage	Lumen Output	Beam Angle	Center Beam	CCT
22 W	AC120-277V	2000 lm	90°	N/A	4000K

CRI	Luminous Efficacy	Power Factor	Input Current	Base	Lamp Lifespan
90+	96 lm/W	0.9	0.185-0.06 A	Wire	50,000 Hrs.

Phases	Input Power	CCT	Lumen Output	Luminous Efficacy	Estimated Yearly Cost
Phase 1	10 W	3000K	1000 lm	96 lm/W	\$ 1.20
Phase 2	15 W	3500K	1500 lm	96 lm/W	\$ 1.80
Phase 3	22 W	4000K	2000 lm	96 lm/W	\$ 2.65

Product Features



0-10V Dimmable



Energy Efficient



3CCT Selectable

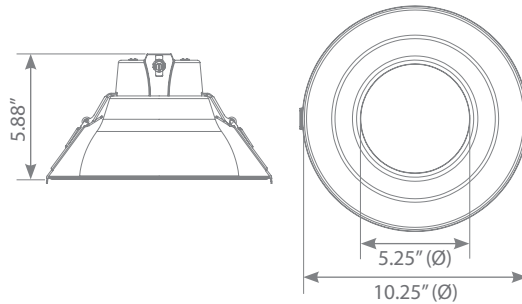


Wet Rated

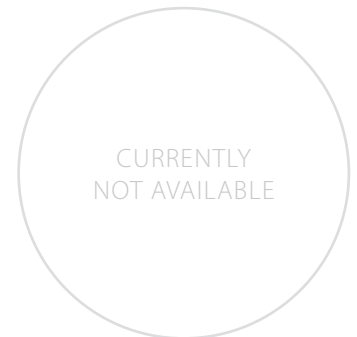


Abutted & Covered

Product Dimensions



Product Photometric Data



Euri Lighting | A Division of IRTRONIX Inc.

20900 Normandie Avenue Bldg. B, Torrance, CA 90502 | Tel: 310.787.1100 | Fax: 310.787.1166 | www.eurilighting.com
©2019 Euri Lighting. All Rights Reserved