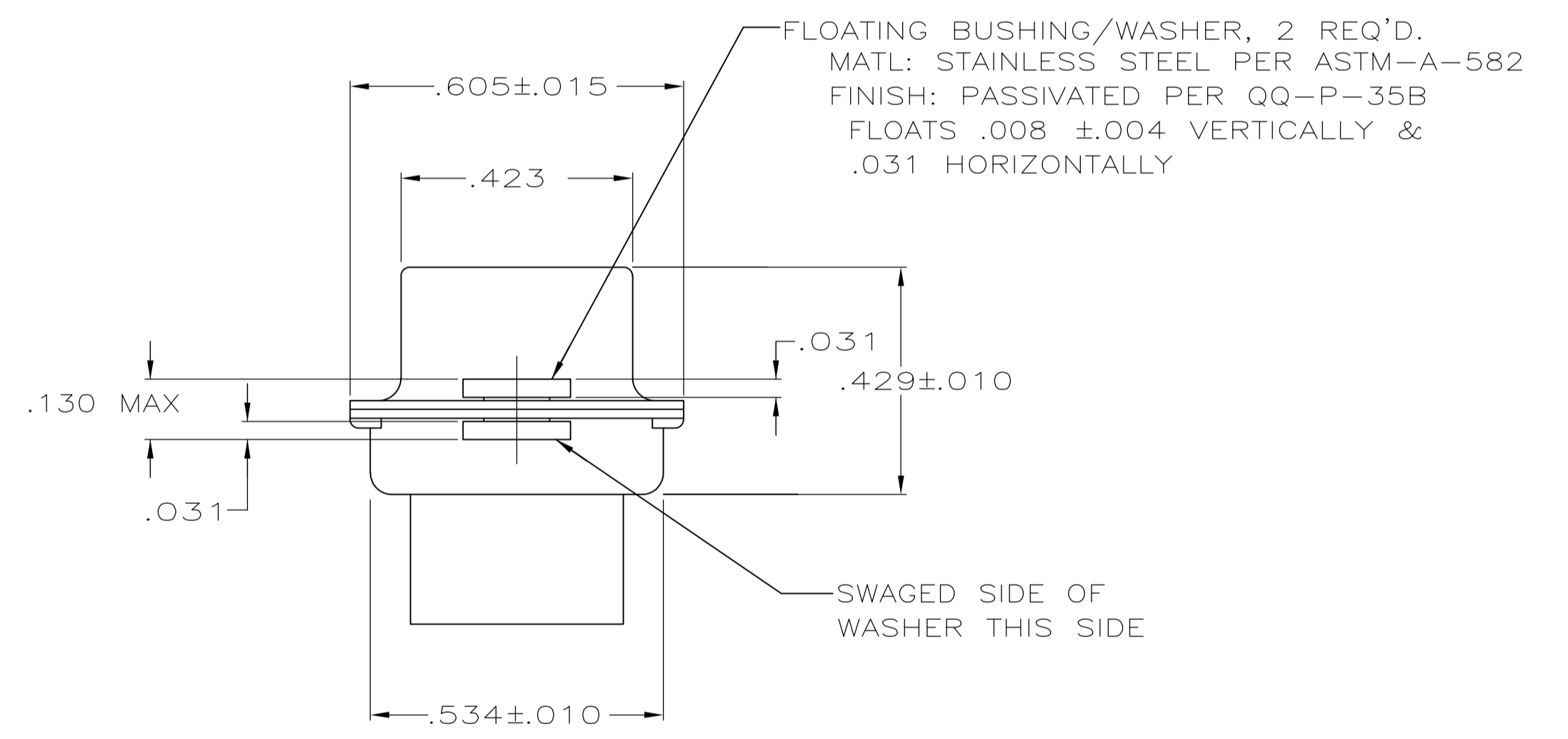
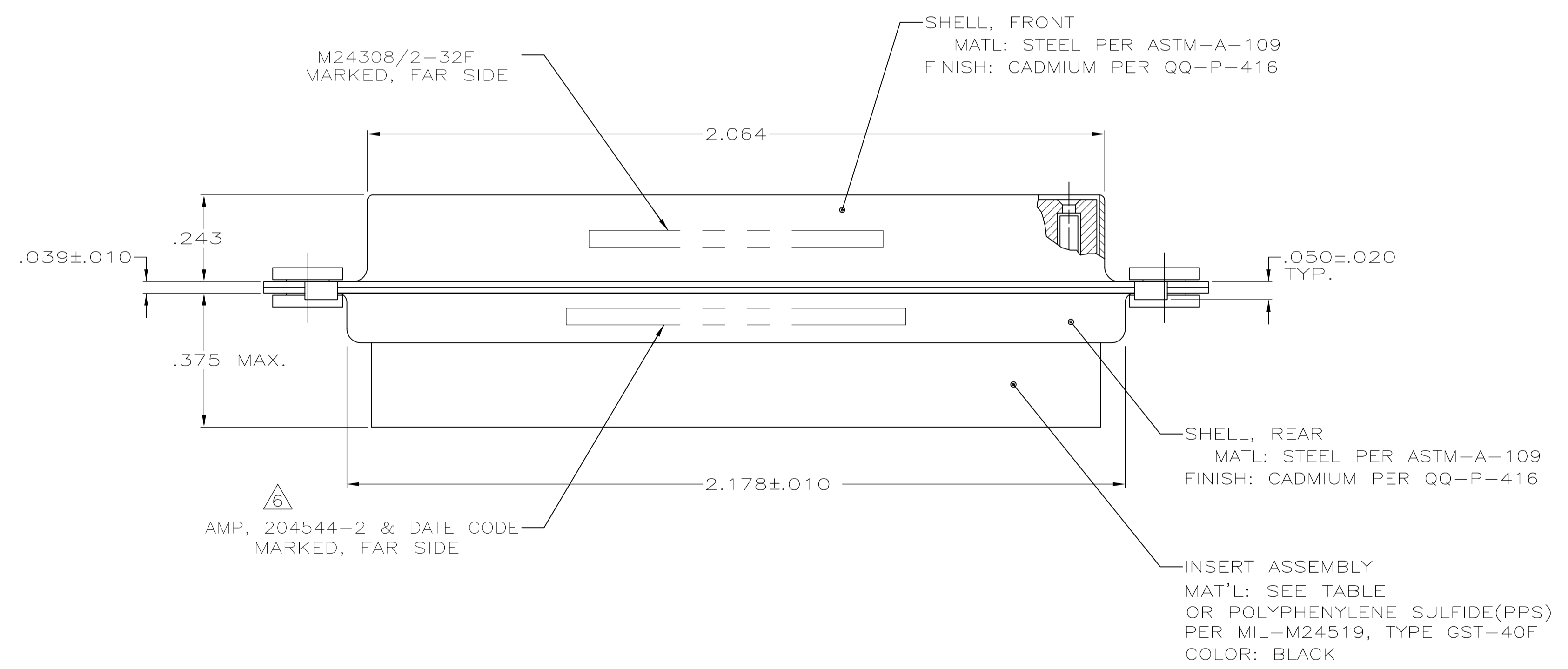
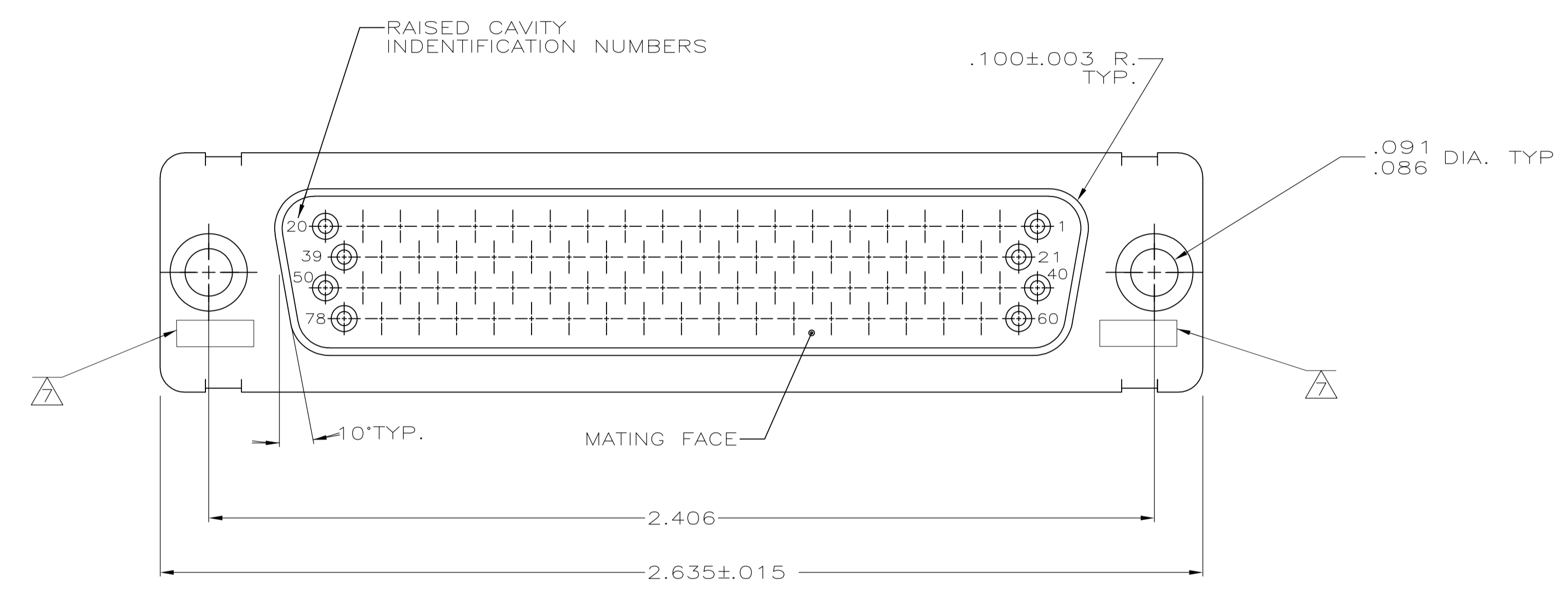


LOC		DIST		REVISIONS			
P	LTR	DESCRIPTION	DATE	DNW	APVD		
N		REV PER ECO-15-016062	10NOV15	KG	CD		



1. THIS RCPT. IS DESIGNED TO CONFORM TO THE LATEST ISSUE OF MIL-C-24308
  2. MAX WIRE INSUL TO BE USED WITH THIS RCPT IS .054 DIA
  3. METAL RETENTION CLIPS ARE INCLUDED IN INSERTS
  4. PACKAGE MARKED M 24308/2-301F
  5. THIS RCPT. WILL ACCEPT SIZE 22 SOCKET CONTACT M 24308/12 OR AMP # 204351
- AMP PART NO. MARKED ON CONNECTOR REPRESENTS KIT NUMBER WITH CONTACTS  
 UL/CSA DESIGNATION MARKED IN THIS AREA, OPTIONAL

THIS DRAWING IS A CONTROLLED DOCUMENT.		DIN 12-4-87 C.C. THOMAS		TE Connectivity													
DIMENSIONS: INCHES		TOLERANCES UNLESS OTHERWISE SPECIFIED:		APVD F.C. RALLEW													
<table border="1"> <tr><td>0. PLC</td><td>± -</td></tr> <tr><td>1. PLC</td><td>± -</td></tr> <tr><td>2. PLC</td><td>± -</td></tr> <tr><td>3. PLC</td><td>± .005</td></tr> <tr><td>4. PLC</td><td>± -</td></tr> <tr><td>ANGLES</td><td>± 0'30"</td></tr> </table>		0. PLC	± -	1. PLC	± -	2. PLC	± -	3. PLC	± .005	4. PLC	± -	ANGLES	± 0'30"	APVD F.C. RALLEW		NAME	
0. PLC	± -																
1. PLC	± -																
2. PLC	± -																
3. PLC	± .005																
4. PLC	± -																
ANGLES	± 0'30"																
MATERIAL SEE CALLOUTS		FINISH SEE CALLOUTS		PRODUCT SPEC													
		WEIGHT		APPLICATION SPEC													
		SCALE 4:1		SIZE A1													
		SHEET 1 OF 1		CAGE CODE DRAWING NO. 00779C=204532													
		CUSTOMER DRAWING		RESTRICTED TO													