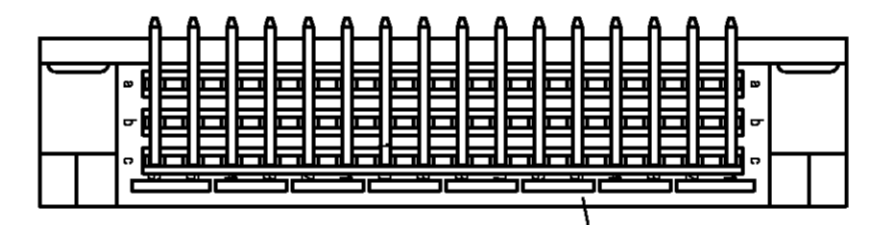
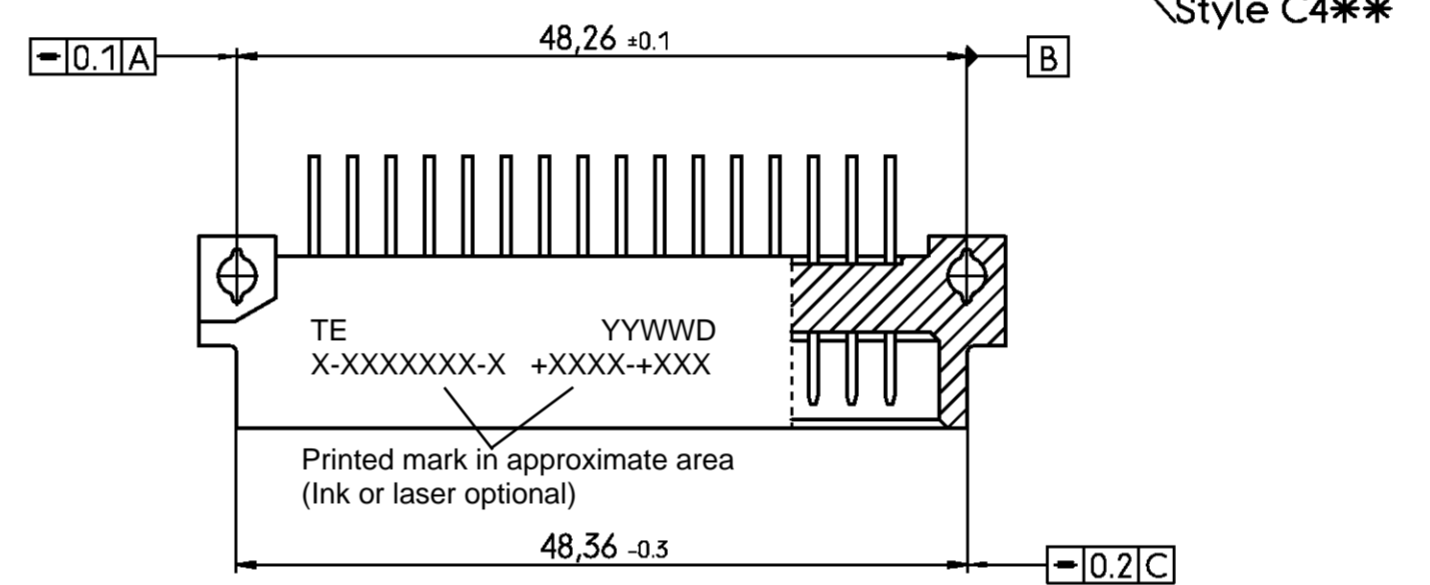
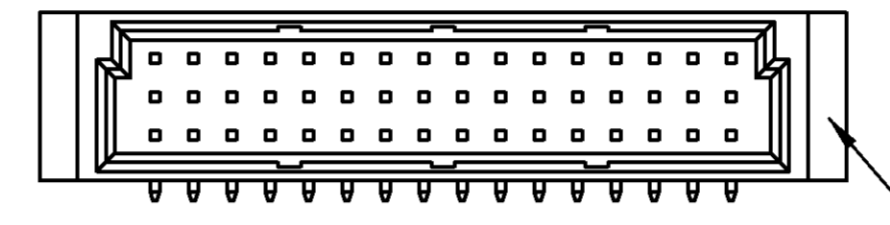
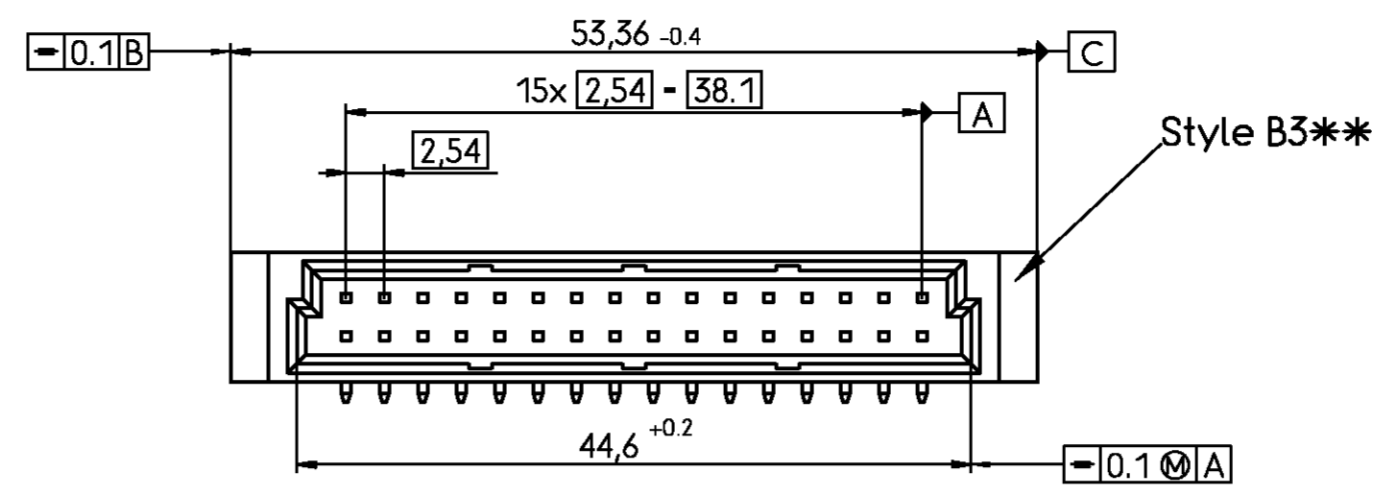
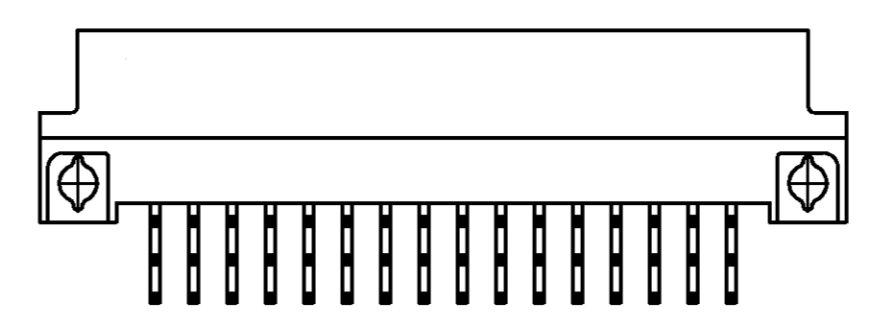
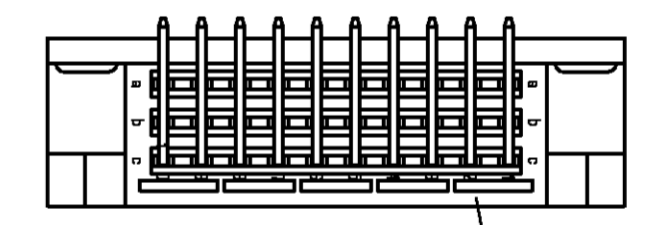
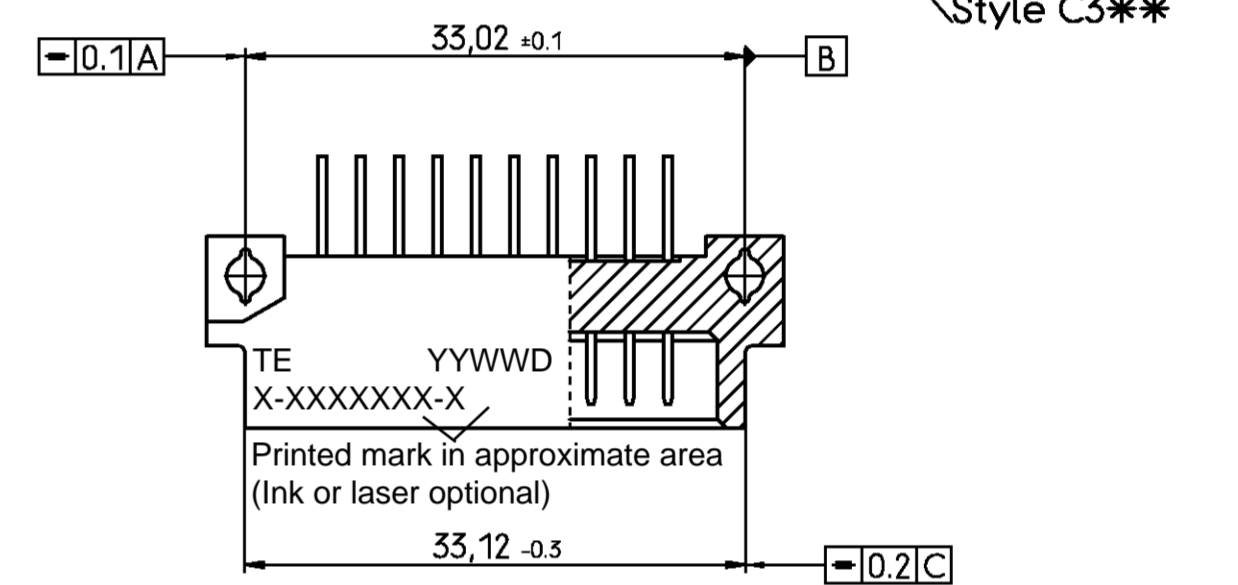
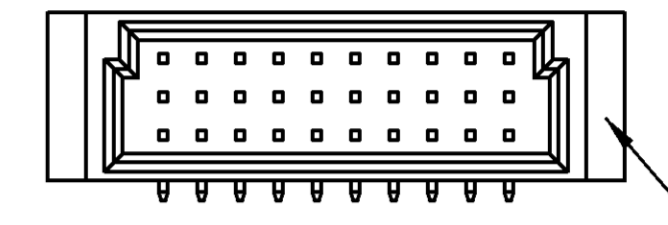
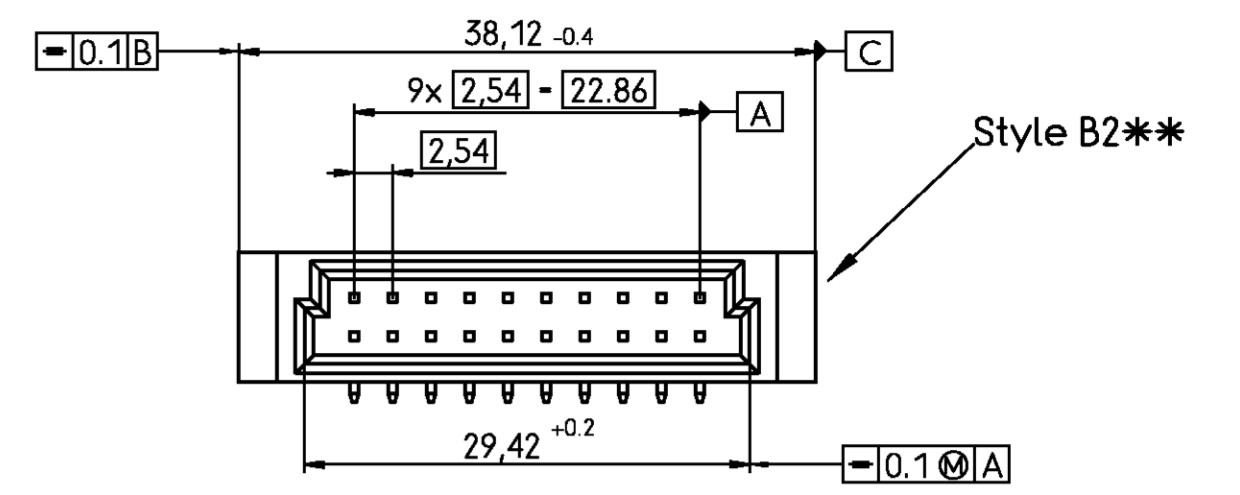
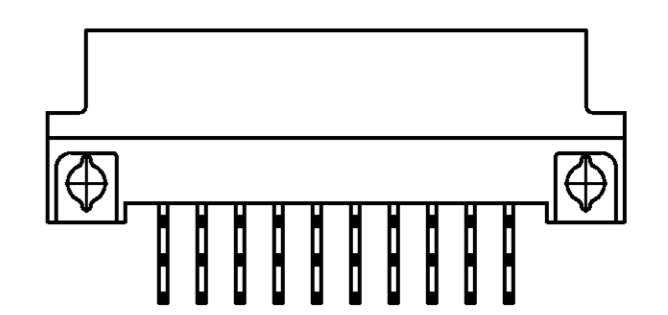


Housing material: PCT 30% glassfilled (UL94V-0)  
colour: Black



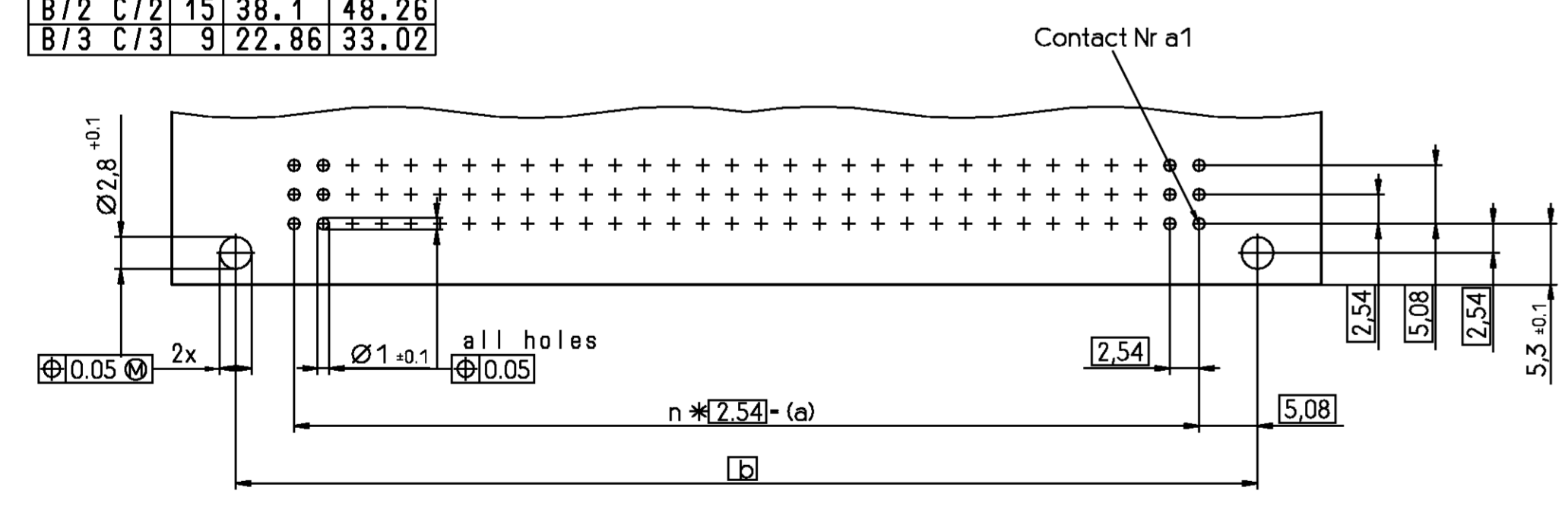
Housing material: PCT 30% glassfilled (UL94V-0)  
colour: Black



Housing material: PCT 30% glassfilled (UL94V-0)  
colour: Black

| Bauform | n   | a  | b     |       |
|---------|-----|----|-------|-------|
| B       | C   | 31 | 78.74 | 88.9  |
| B/2     | C/2 | 15 | 38.1  | 48.26 |
| B/3     | C/3 | 9  | 22.86 | 33.02 |

Mounting holes in PCB



V42254 - R1\*\*\* - +\*\*\*

code for performance level  
code for termination style

Style, no of contacts  
and contact assignment  
see page 2

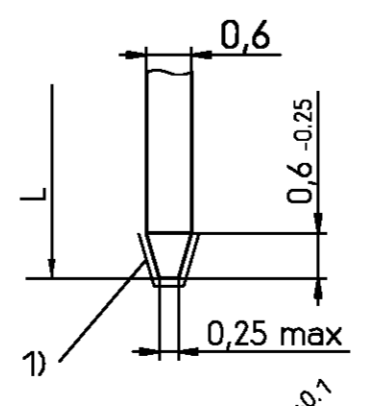
THIS INFORMATION IS CONFIDENTIAL AND PROPRIETARY TO TYCO ELECTRONICS CORPORATION AND ITS WORLDWIDE SUBSIDIARIES AND AFFILIATES. IT MAY NOT BE DISCLOSED TO ANYONE, OTHER THAN TYCO ELECTRONICS CORPORATION, WITHOUT WRITTEN AUTHORIZATION FROM TYCO ELECTRONICS CORPORATION, HARRISBURG, PENNSYLVANIA USA.

Termination Style

| L      | Code |
|--------|------|
| 3 -0.4 | 00   |
|        |      |
|        |      |
|        |      |
|        |      |
|        |      |

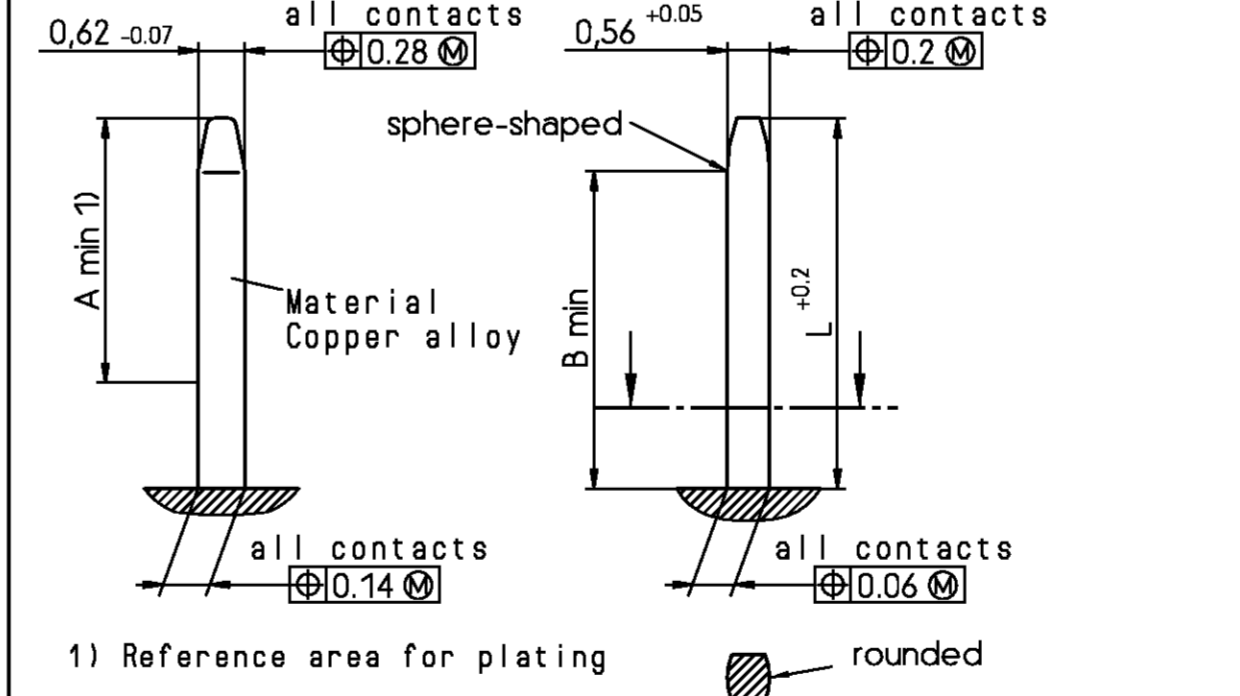
V42254-B1\*\*\*-C\*\*\*

Soldering/Wire-Wrap pins



1) Cutting edges not plated  
Terminations with galvanic Sn plating

Contact: Dimensions, plating, material, pre-mating



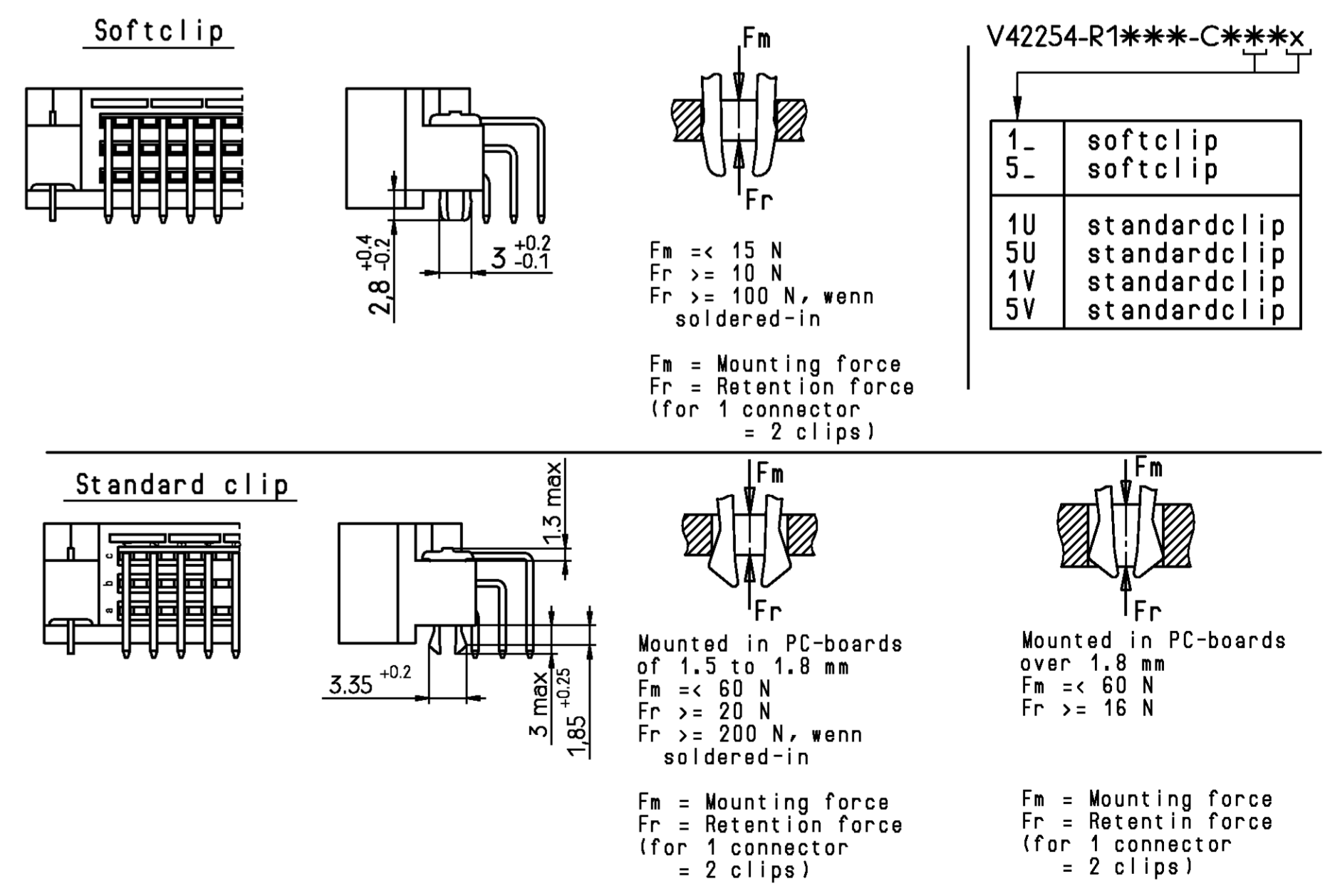
|                     | L   | A   | B   |
|---------------------|-----|-----|-----|
| normal contacts     | 4.8 | 3.5 | 4.2 |
| pre-mating contacts | 5.8 | 4.5 | 5.2 |

V42254-B1\*\*\*-C\*\*\*

| Performance level acc to DIN41612 and IEC603-2 | Noble metals    | Code |
|--|-----------------|------|
| Class I  | PdNi + Au or Au | 1    |
|  | Au              | 4    |
| Class II                                       | PdNi + Au or Au | 2    |
|  | Au              | 5    |
| Class III                                      | PdNi + Au or Au | 3    |

Nickel underlayer  
Protection film: HF-grease

Male connector with board locks



|                              |  |                              |  |  |  |                         |  |   |  |          |  |
|------------------------------|--|------------------------------|--|--|--|-------------------------|--|---|--|----------|--|
|                              |  |                              |  | TYCO ELECTRONICS CORPORATION<br>OOSTKAMP - BELGIUM |  | SCALE: DIMENSIONS IN MM |  | MATERIAL:                               |  | WEIGHT:  |  |
| D ECN-22-145274 19SEP2022 RZ |  | DATE 1 Aug 02                |  | NAME Colpaert                                      |  | PART NAME               |  | Pin Assembly Eurocard                   |  | SHIT. 1+ |  |
| C ECO-21-000649 18JAN2021 RZ |  | DEPT. PD&E Com               |  | TOLERANCE UNLESS SPECIFIED OTHERWISE               |  | PART NO.                |  | V42254-R1***-C***-7626                  |  | CF 2     |  |
| B ECO-17-002173 10MAR2017 SY |  | A2 ECR-10-003044 02JUN10 MKO |  | REV. CHANGE ORDER                                  |  | DATE 1 Aug 02 BC        |  | APP. Customer Drawing Nr. C 4-1392009-3 |  | 14       |  |



THIS INFORMATION IS CONFIDENTIAL AND PROPRIETARY TO TYCO ELECTRONICS CORPORATION AND ITS WORLDWIDE SUBSIDIARIES AND AFFILIATES. IT MAY NOT BE DISCLOSED TO ANYONE, OTHER THAN TYCO ELECTRONICS PERSONNEL, WITHOUT WRITTEN AUTHORIZATION FROM TYCO ELECTRONICS CORPORATION, HARRISBURG PENNSYLVANIA USA

PROPRIETARY:

| Part Number            | Part Discription   | Style & Number of Positions | Termination posts        | Loaded Rows             | Standard Pre-Mating<br>1 mm 1) | Performance Level | Board Locks  |             |
|------------------------|--------------------|-----------------------------|--------------------------|-------------------------|--------------------------------|-------------------|--------------|-------------|
| <del>1393649-1</del>   | V42254-R1200-C910  | C96                         | right-angle solder leads | every row , every pitch | No                             | 2                 | Softclip     |             |
| <del>4-1392009-3</del> | V42254-R1200-C950U | C96                         | right-angle solder leads | every row , every pitch | Yes                            | 2                 | Standardclip | OBSOLETE    |
| <del>4-1392009-4</del> | V42254-R1200-C953U | C96                         | right-angle solder leads | row a+c , every pitch   | Yes                            | 2                 | Standardclip |             |
| <del>1393649-5</del>   | V42254-R1500-C410R | C48                         | right-angle solder leads | every row , every pitch | No                             | 2                 | Softclip     | OBSOLETE 2) |
| <del>1393649-6</del>   | V42254-R1500-C910R | C96                         | right-angle solder leads | every row , every pitch | No                             | 2                 | Softclip     | OBSOLETE 2) |

- 1) First and last contact of each loaded row is a pre-mating (make first / break last) contact.
- 2) Connectors packed in Tape&Reel packaging.

Active part numbers.  
Contact Tyco Electronics for other configuration availability

|   |  |  |  |  |  |                                 |        |
|---|--|--|--|--|--|---------------------------------|--------|
|  |  | TYCO ELECTRONICS CORPORATION<br>OOSTKAMP - BELGIUM |  |  DIMENSIONS IN MM |  | SCALE                           | WEIGHT |
| REV. A2   |  | CHANGE ORDER                                       |  | DATE   |  | PART NAME                       |        |
| SEE SHEET 1   |  |  |  | 1 Aug '02  |  | Pin Assembly Eurocard           |        |
|   |  |  |  | Colpaert B.  |  | High Temperature, types B and C |        |
|   |  |  |  | PD&E Com   |  | PART NO.                        |        |
|   |  |  |  | TOLERANCE UNLESS SPECIFIED OTHERWISE   |  | V42254-R1***-C***-*7626         |        |
|   |  |  |  | Customer Drawing Nr. C 4-1392009-3   |  | SHT. 2- OF 2                    |        |