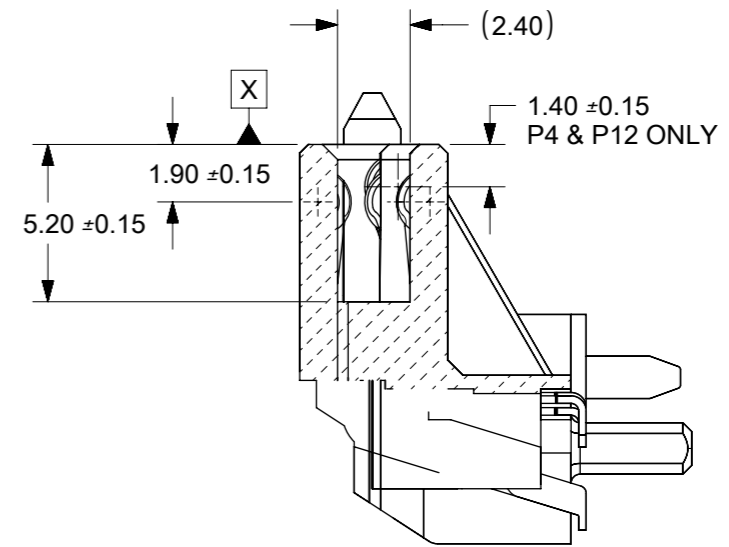
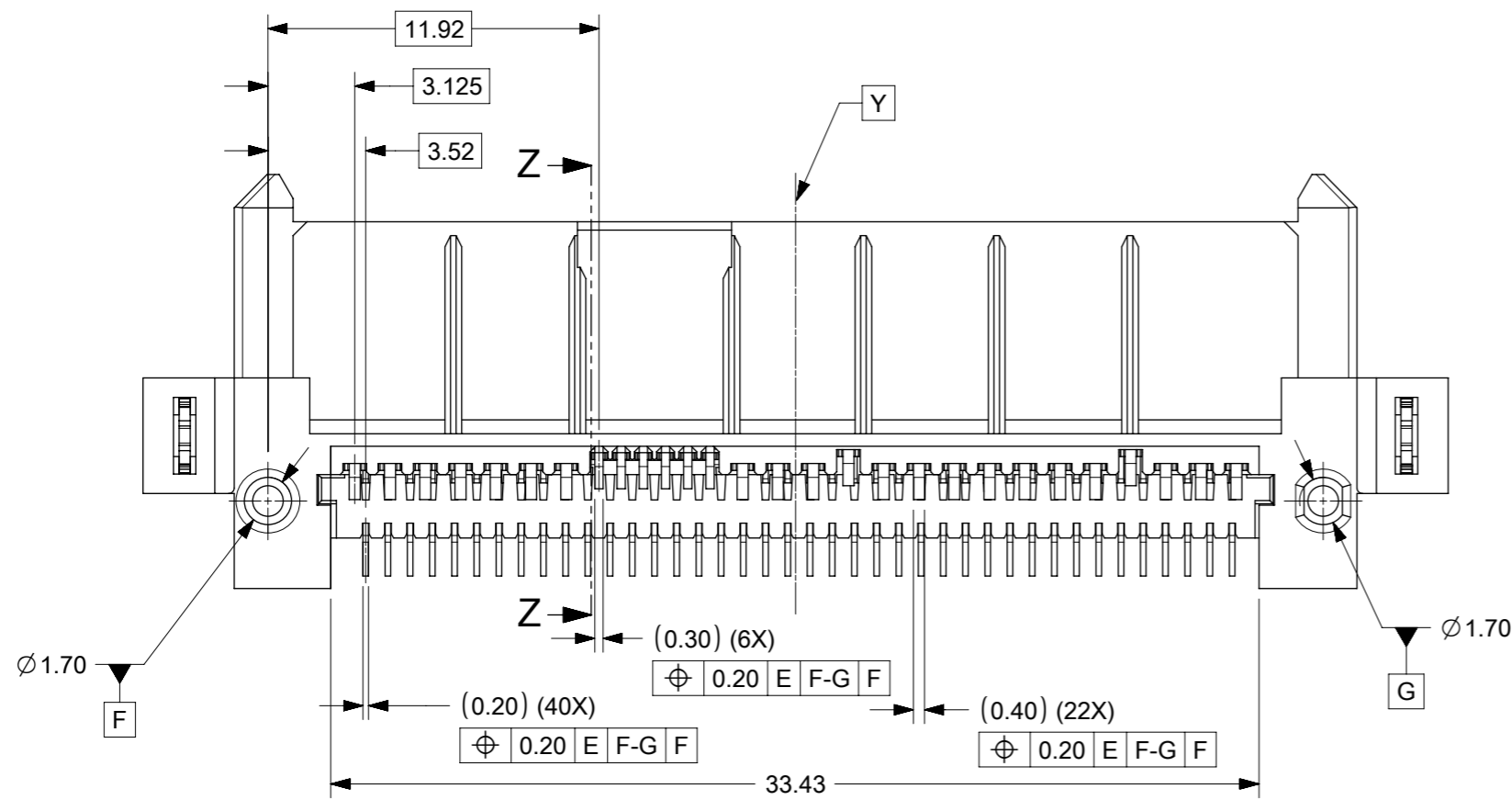
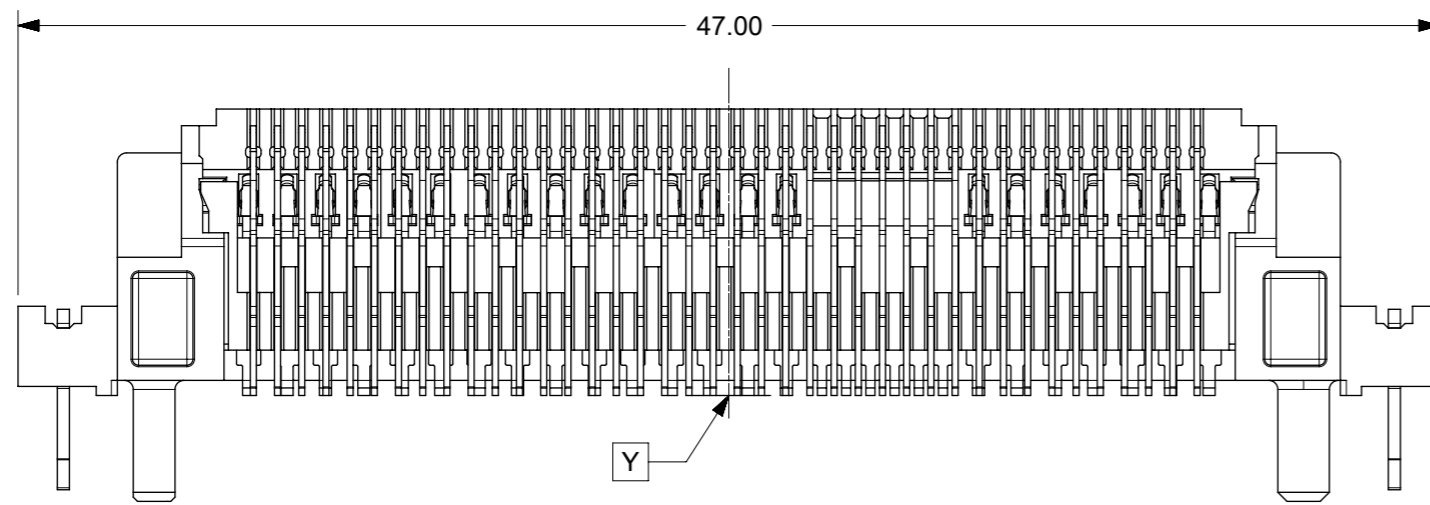


- NOTES:
- MATERIAL:
    - HOUSING: LCP, GLASS FILLED, UL 94V-0, COLOR: BLACK
    - TERMINAL: COPPER ALLOY
    - PCB HOLD-DOWN: COPPER ALLOY
  - PLATING:
    - TERMINAL:
      - CONTACT: 0.76 MICROMETER MIN. GOLD OVER 1.27 MICROMETER MIN. NICKEL UNDERPLATE
      - SOLDERTAIL: 2.54 MICROMETER MIN. TIN OVER 1.27 MICROMETER MIN. NICKEL UNDERPLATE
      - PCB HOLD-DOWN: 2.54 MICROMETER MIN. TIN OVER 1.27 MICROMETER MIN. NICKEL UNDERPLATE
  - PRODUCT SPECIFICATION PS-78827-001.
  - PACKAGING SPECIFICATION PK-78827-001.
  - THIS PRODUCT IS COMPLIANT WITH RoHS DIRECTIVE WITH THE FOLLOWING BANNED SUBSTANCES - LEAD, MERCURY, CADMIUM, HEXAVALENT CHROMIUM, POLYBROMINATED BIPHENYLS AND POLY BROMINATED DIPHENYL ETHERS.
  - MOLEX LOGO, DATE CODE AND CAVITY ID TO BE LOCATED APPROXIMATELY AS SHOWN.
  - NON-FUNCTIONAL CORING MAY VARY
  - CONNECTOR COMES WITH A CAP TO BE REMOVED AFTER SOLDERING. SEE SHEET 4 FOR THE OVERALL OUTLINE OF THE CONNECTOR WITH ITS CAP

THIS DESIGN IS BASED ON DESIGN OBJECTIVES AND IS STRICTLY TENTATIVE. IT MAY CHANGE BASED ON RESULTS OF ADDITIONAL DESIGN REVIEWS AND VERIFICATIONS.

THIS DRAWING CONTAINS INFORMATION THAT IS PROPRIETARY TO MOLEX ELECTRONIC TECHNOLOGIES, LLC AND SHOULD NOT BE USED WITHOUT WRITTEN PERMISSION		CURRENT REV DESC: MIGRATED		<b>molex</b>	
DIMENSION UNITS	SCALE				
mm	NTS			SAS/PCIE RECEPTACLE R/A, SMT, 7.07MM HEIGHT	
GENERAL TOLERANCES (UNLESS SPECIFIED)		EC NO: 636399		PRODUCT CUSTOMER DRAWING	
ANGULAR TOL ± 3.0°		DRWN: ME 2019/05/23		DOCUMENT NUMBER	
4 PLACES ±		CHK'D: JAKEEMEW 2020/04/23		SD-78827-001	
3 PLACES ±		APPR: SHLENI 2020/05/03		DOC TYPE DOC PART REVISION	
2 PLACES ± 0.2		INITIAL REVISION:		PSD 001 A	
1 PLACE ±		DRWN: JAKEEMEW 2013/11/14		MATERIAL NUMBER	
0 PLACES ±		APPR: JAKEEMEW 2014/12/01		CUSTOMER	
DRAFT WHERE APPLICABLE MUST REMAIN WITHIN DIMENSIONS		THIRD ANGLE PROJECTION	DRAWING	SERIES	SHEET NUMBER
			A3-SIZE	78827	1 OF 7
				SEE TABLE	GENERAL MARKET

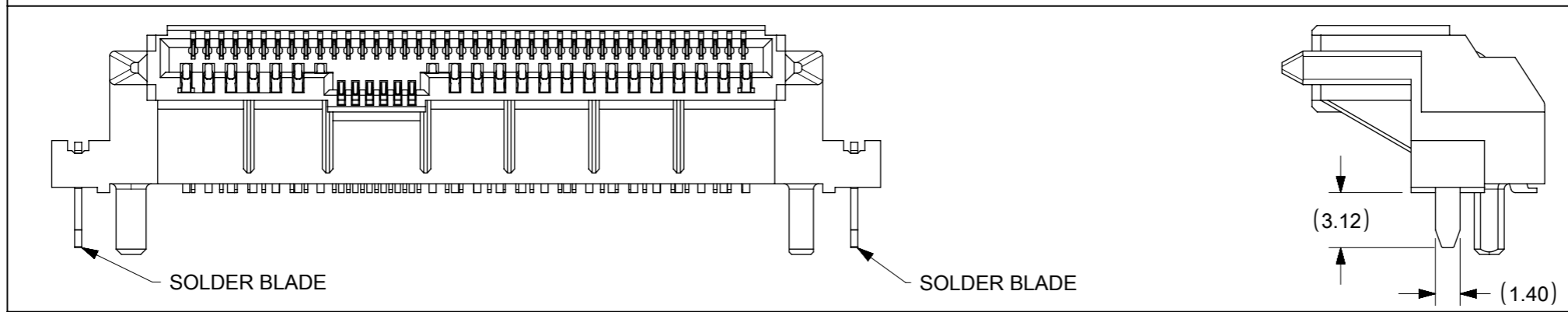


SECTION Z-Z

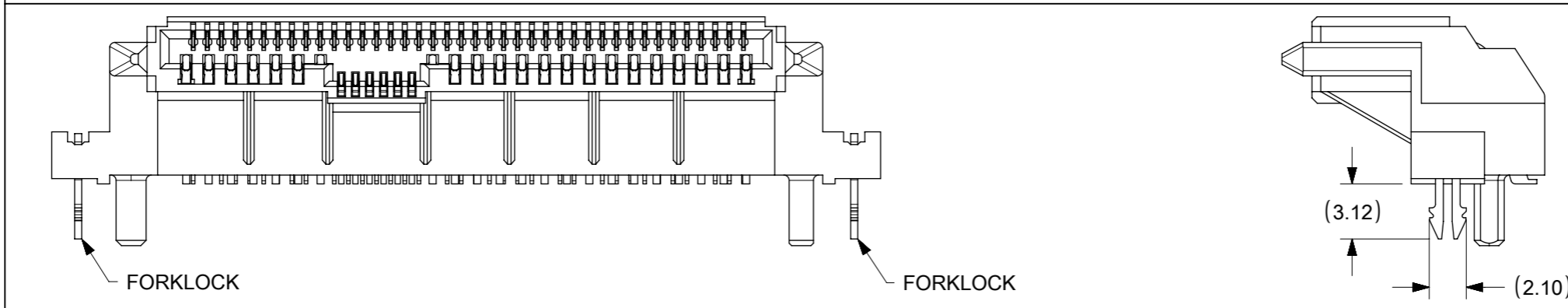
THIS DRAWING CONTAINS INFORMATION THAT IS PROPRIETARY TO MOLEX ELECTRONIC TECHNOLOGIES, LLC AND SHOULD NOT BE USED WITHOUT WRITTEN PERMISSION									
DIMENSION UNITS <b>mm</b>		SCALE <b>NTS</b>		CURRENT REV DESC: MIGRATED				<b>molex</b>	
GENERAL TOLERANCES (UNLESS SPECIFIED)		ANGULAR TOL ± 3.0°		EC NO: 636399					
4 PLACES ±		3 PLACES ±		DRWN: ME		2019/05/23		SAS/PCIE RECEPTACLE R/A, SMT, 7.07MM HEIGHT	
2 PLACES ± 0.2		1 PLACE ±		CHK'D: JAKEEMEW		2020/04/23		PRODUCT CUSTOMER DRAWING	
0 PLACES ±		DRAFT WHERE APPLICABLE MUST REMAIN WITHIN DIMENSIONS		APPR: SHLENI		2020/05/03		DOCUMENT NUMBER	
THIRD ANGLE PROJECTION		DRAWING		INITIAL REVISION:		SERIES		MATERIAL NUMBER	
A3-SIZE		78827		DRWN: JAKEEMEW		2013/11/14		CUSTOMER	
SEE TABLE		GENERAL MARKET		APPR: JAKEEMEW		2014/12/01		SHEET NUMBER	
2 OF 7									

PCB HOLD-DOWN CONFIGURATION

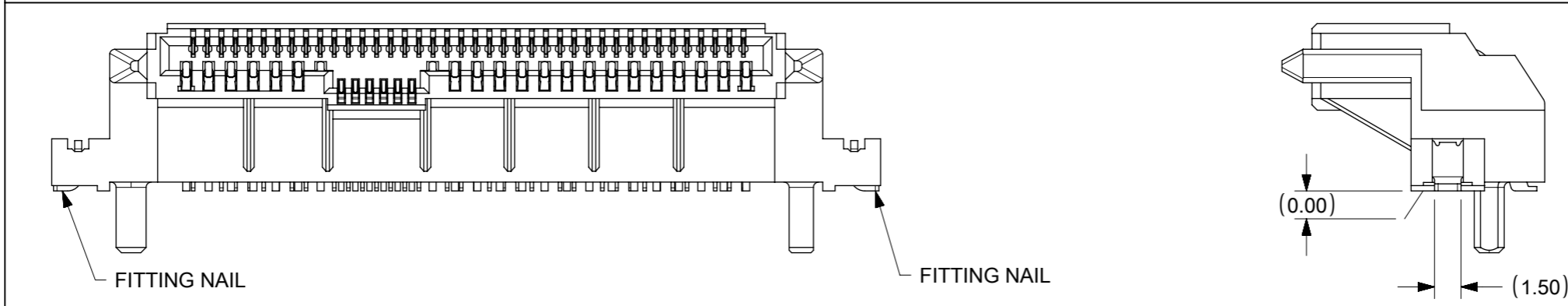
FRONT AND SIDE VIEW OF TYPE A (SOLDER BLADE)



FRONT AND SIDE VIEW OF TYPE B (FORKLOCK)

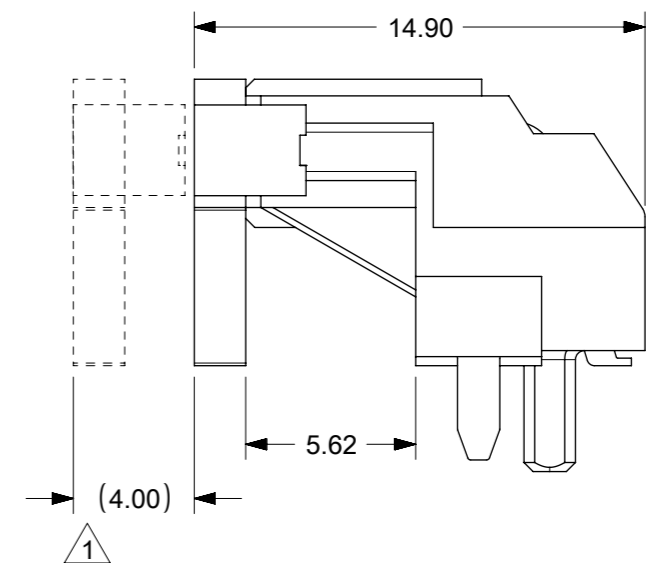
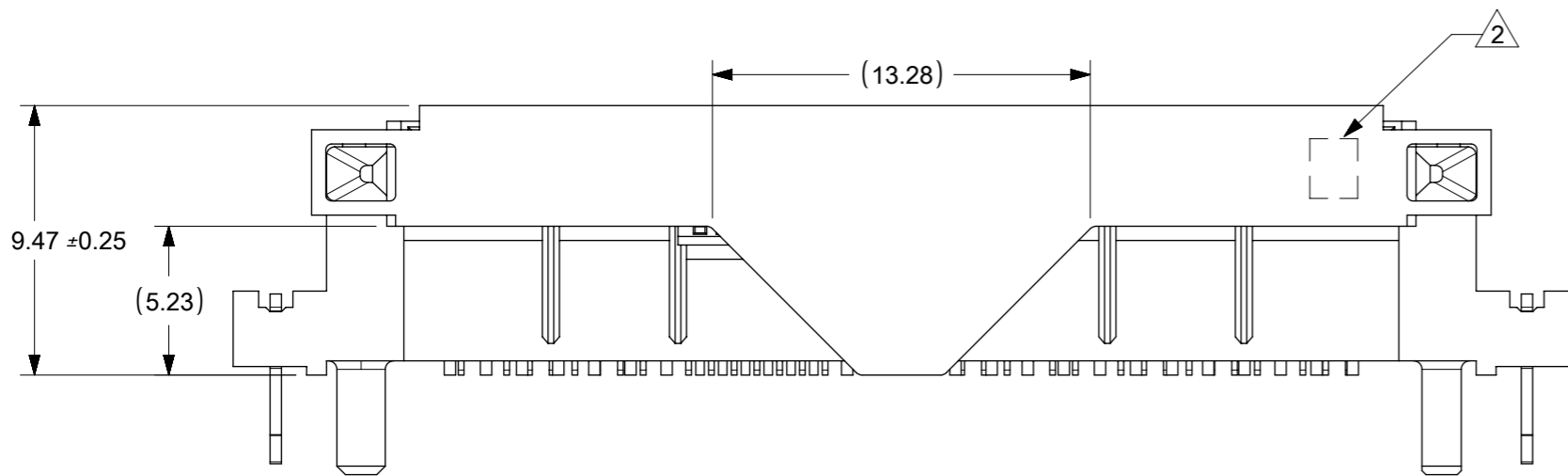
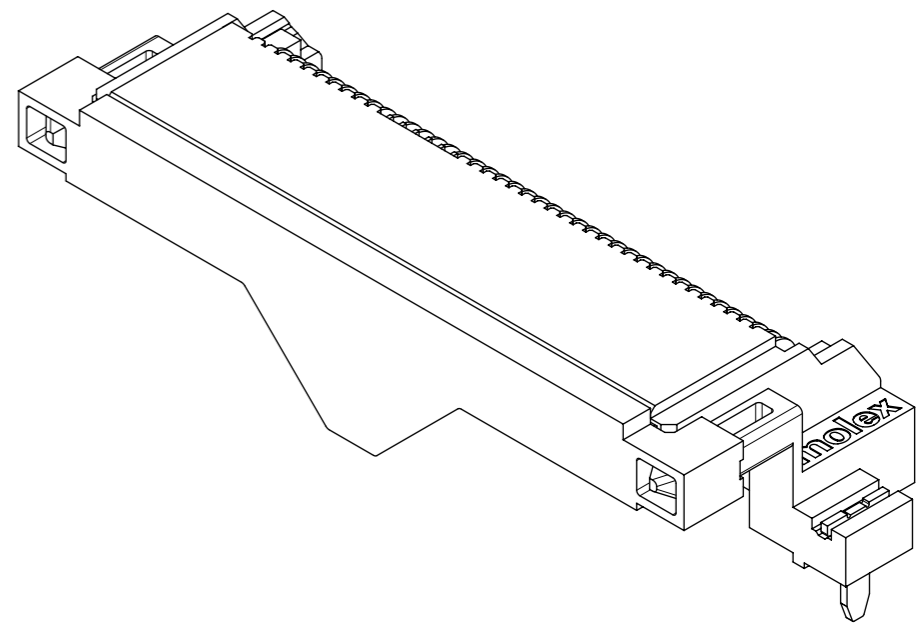
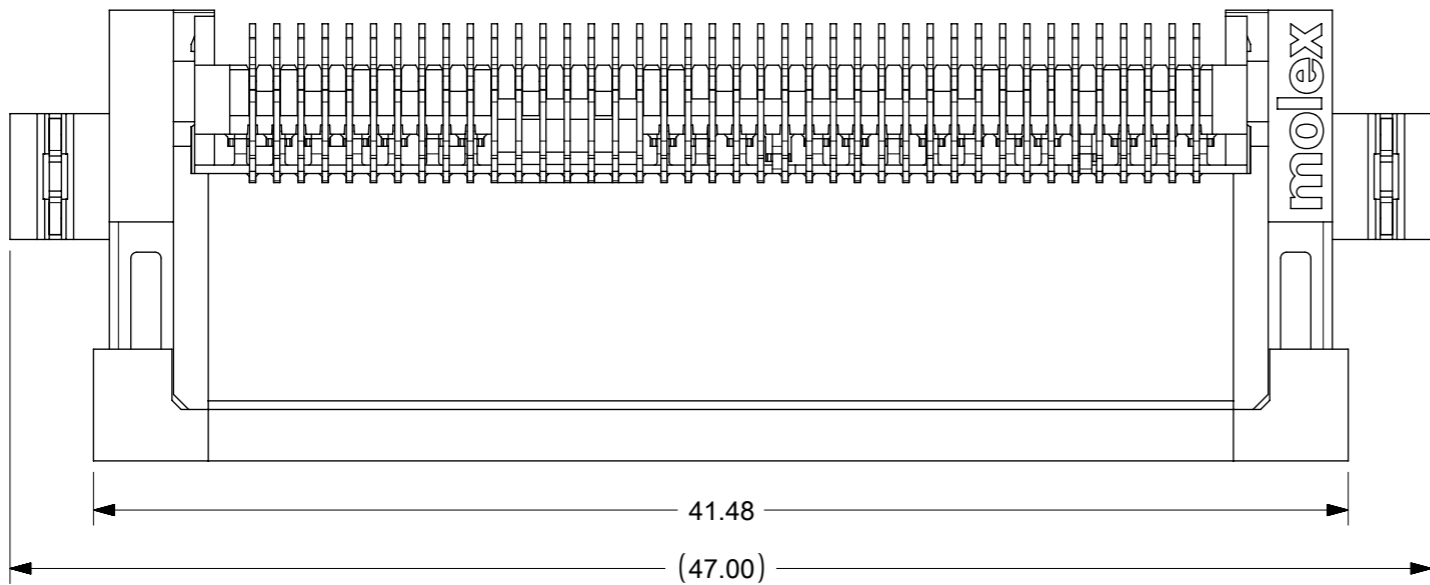


FRONT AND SIDE VIEW OF TYPE C (FITTING NAIL)



THIS DRAWING CONTAINS INFORMATION THAT IS PROPRIETARY TO MOLEX ELECTRONIC TECHNOLOGIES, LLC AND SHOULD NOT BE USED WITHOUT WRITTEN PERMISSION									
DIMENSION UNITS		SCALE		CURRENT REV DESC: MIGRATED				<b>molex</b>	
mm		NTS							
GENERAL TOLERANCES (UNLESS SPECIFIED)									
ANGULAR TOL ± 3.0°									
4 PLACES ±									
3 PLACES ±									
2 PLACES ± 0.2									
1 PLACE ±									
0 PLACES ±									
DRAFT WHERE APPLICABLE MUST REMAIN WITHIN DIMENSIONS		THIRD ANGLE PROJECTION		DRAWING		SERIES		MATERIAL NUMBER	
				A3-SIZE		78827		SEE TABLE	
EC NO: 636399				DRWN: ME		2019/05/23		PRODUCT CUSTOMER DRAWING SAS/PCIE RECEPTACLE R/A, SMT, 7.07MM HEIGHT	
CHK'D: JAKEEMEW				2020/04/23					
APPR: SHLENI				2020/05/03					
INITIAL REVISION:				DRWN: JAKEEMEW		2013/11/14		DOCUMENT NUMBER	
				APPR: JAKEEMEW		2014/12/01		SD-78827-001	
				CUSTOMER		GENERAL MARKET		SHEET NUMBER	
								3 OF 7	

# CONNECTOR OUTLINE WITH CAP



- NOTES:
- 1. ALLOW A GAP OF 4.00MM IN FRONT OF THE CONNECTOR FOR CAP REMOVAL
  - 2. CAP CAVITY NUMBER (NUMERIC VALUE)

THIS DRAWING CONTAINS INFORMATION THAT IS PROPRIETARY TO MOLEX ELECTRONIC TECHNOLOGIES, LLC AND SHOULD NOT BE USED WITHOUT WRITTEN PERMISSION									
DIMENSION UNITS		SCALE		CURRENT REV DESC: MIGRATED				<b>molex</b>	
mm		NTS							
GENERAL TOLERANCES (UNLESS SPECIFIED)				SAS/PCIE RECEPTACLE R/A, SMT, 7.07MM HEIGHT					
ANGULAR TOL ± 3.0°				PRODUCT CUSTOMER DRAWING					
4 PLACES ±				EC NO: 636399		2019/05/23		DOCUMENT NUMBER	
3 PLACES ±				DRWN: ME		2020/04/23		SD-78827-001	
2 PLACES ± 0.2				CHK'D: JAKEEMEW		2020/05/03		DOC TYPE DOC PART REVISION	
1 PLACE ±				APPR: SHLENI		2020/05/03		PSD 001 A	
0 PLACES ±				INITIAL REVISION:		2013/11/14		MATERIAL NUMBER	
DRAFT WHERE APPLICABLE MUST REMAIN WITHIN DIMENSIONS				DRWN: JAKEEMEW		2014/12/01		CUSTOMER	
THIRD ANGLE PROJECTION		DRAWING		SERIES		SHEET NUMBER		SEE TABLE	
		A3-SIZE		78827		4 OF 7		GENERAL MARKET	





PRODUCT NUMBER	PLATING	HOLD-DOWN	RECOMMENDED PCB LAYOUT
78827-0001	SEE NOTE 2	TYPE A	TYPE 1
78827-0002		TYPE B	
78827-0003		TYPE C	TYPE 2

THIS DRAWING CONTAINS INFORMATION THAT IS PROPRIETARY TO MOLEX ELECTRONIC TECHNOLOGIES, LLC AND SHOULD NOT BE USED WITHOUT WRITTEN PERMISSION										
DIMENSION UNITS	SCALE	CURRENT REV DESC: MIGRATED				<b>molex</b>				
mm	NTS									
GENERAL TOLERANCES (UNLESS SPECIFIED)		EC NO: 636399				SAS/PCIE RECEPTACLE				
ANGULAR TOL ± 3.0 °		DRWN: ME 2019/05/23				R/A, SMT, 7.07MM HEIGHT				
4 PLACES ±		CHK'D: JAKEEMEW 2020/04/23				PRODUCT CUSTOMER DRAWING				
3 PLACES ±		APPR: SHLENI 2020/05/03								
2 PLACES ± 0.2		INITIAL REVISION:				DOCUMENT NUMBER		DOC TYPE	DOC PART	REVISION
1 PLACE ±		DRWN: JAKEEMEW 2013/11/14				SD-78827-001		PSD	001	A
0 PLACES ±		APPR: JAKEEMEW 2014/12/01				MATERIAL NUMBER		CUSTOMER		SHEET NUMBER
DRAFT WHERE APPLICABLE MUST REMAIN WITHIN DIMENSIONS		THIRD ANGLE PROJECTION	DRAWING	SERIES	MATERIAL NUMBER	CUSTOMER		SHEET NUMBER		
			A3-SIZE	78827	SEE TABLE	GENERAL MARKET		7 OF 7		

DOCUMENT STATUS	P1	RELEASE DATE	2020/05/03	00:10:48
-----------------	----	--------------	------------	----------