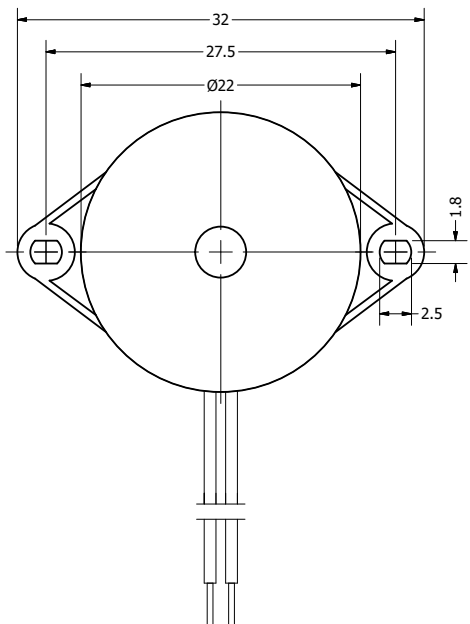
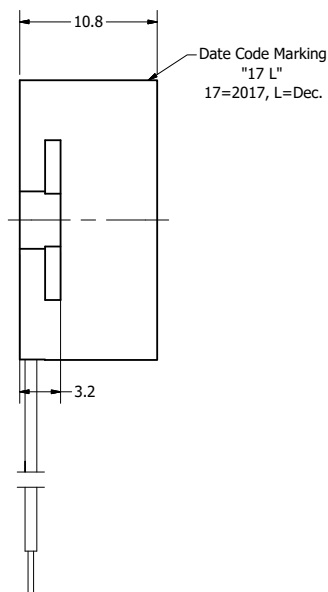


Part Number:	IP224512-1	
	DRAWN	12/5/2017
	CHECKED	12/6/2017
	P.D.	
Description:	APPROVED	12/6/2017
	C.E.	
This document contains data proprietary to DB Unlimited. Any use or reproduction, in any form, without prior written permission of DB Unlimited is prohibited. All terms and conditions can be found at <a href="http://www.dbunlimitedco.com">www.dbunlimitedco.com</a>		

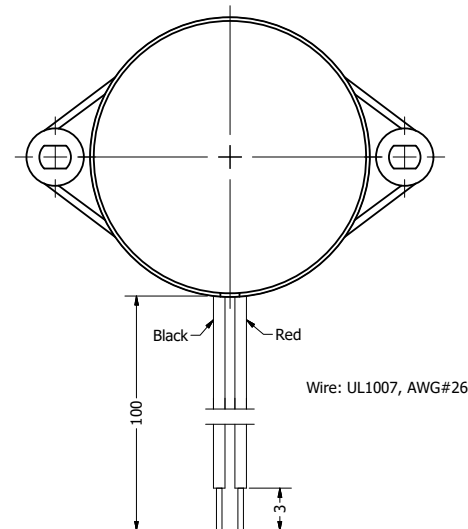
Top View



Side View



Bottom View



Items	Specifications	Conditions
Min. Sound Pressure Level	95	dB (@ 10cm)
Tone	Single	
Resonant Frequency	4,500 ± 500	Hz
Rated Voltage	12	V
Voltage Range	3 ~ 30	V
Max. Rated Current	3	mA
Storage Temperature	-20 ~ +60	°C
Operating Temperature	-20 ~ +60	°C
Connection Method	Lead Wires	
Mount Type	Flange Mount	
Housing Material	ABS	
Weight	5	g

REVISION HISTORY			
REV	DESCRIPTION	DATE	APPROVED
	Released from Engineering	10/21/2013	J.S.
1	Update flange hole shape, drawing template	12/6/2017	C.E.

- NOTES
- 1) All dimensions are in mm unless otherwise noted
  - 2) All tolerances are ± 0.5 mm unless otherwise noted
  - 3) All parts meet RoHS
  - 4) Subject to change or redrawn without notice