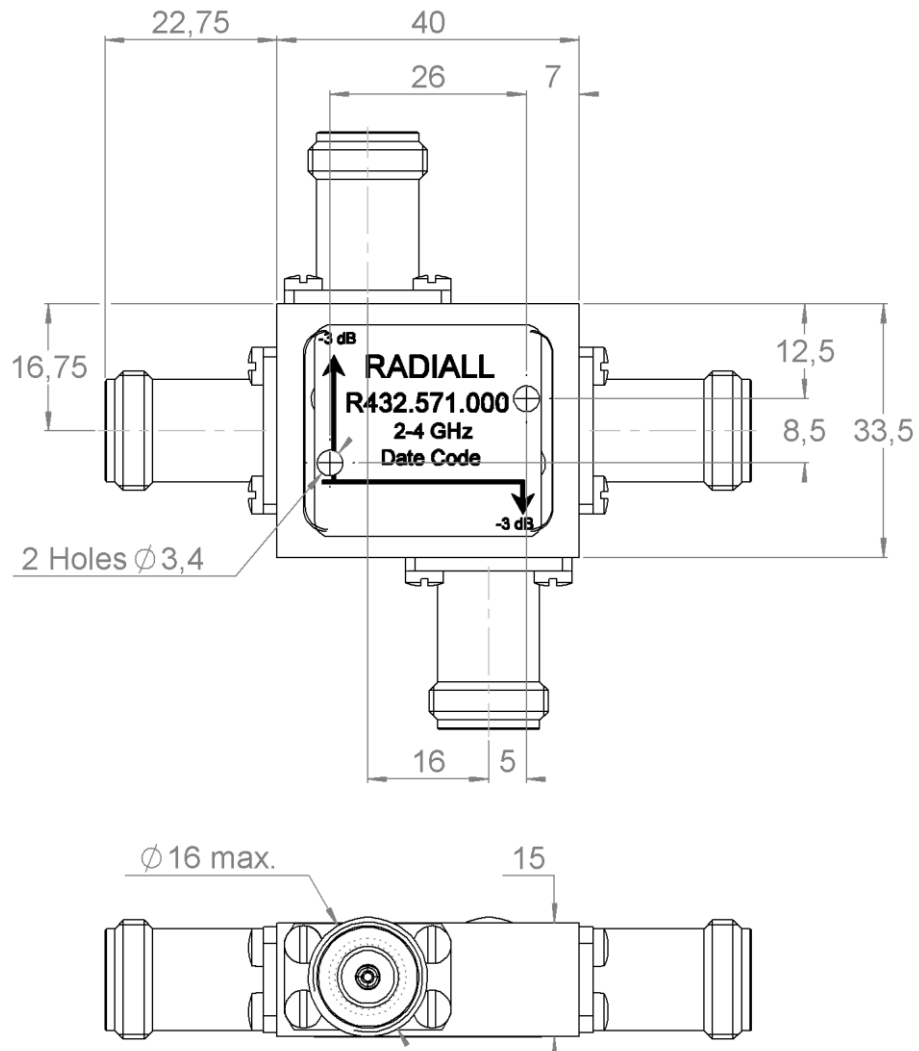


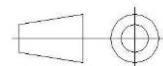
| | | | |
|----------|-----------------|---------------------------|-------------------------------|
| PAGE 1/2 | ISSUE 13-07-17C | SERIES COUPLEUR | PART NUMBER R432571000 |
|----------|-----------------|---------------------------|-------------------------------|

Scale 1 : 1



All dimensions are in mm. Tolerances according ISO 2768 m-H

Weight **148,5400** g
Specification



ELECTRICAL CHARACTERISTICS

| | |
|-----------------------------|---------------|
| Frequency operating range : | 2 – 4 GHz |
| Impedance : | 50 Ω |
| VSWR | 1.20 max. |
| Nominal Coupling : | 3 dB |
| Insertion Loss : | 0.3 dB max. |
| Isolation : | 20 dB mini |
| Amplitude Balance : | ± 0.5 dB |
| Phase Balance : | $\pm 5^\circ$ |
| Average Power at 25°C | 80W |
| Peak Power at 25°C | 3000W |

MECHANICAL CHARACTERISTICS

| | |
|------------------|--------------------------|
| Connector type : | N female per MIL-C 39012 |
|------------------|--------------------------|

ENVIRONMENTAL CHARACTERISTICS

| | |
|-------------------------|---------------|
| Operating temperature : | -25°C / +70°C |
| Storage temperature : | -25°C / +70°C |