



Electrical Specifications

Cutoff Frequency: 400 MHz
Pass Band: 0-400 MHz
Pass Band Insertion Loss: 0.6 dB Max
Return Loss: 15 dB Min
Rejection: >40 dB @ 500-1200 MHz Min
Power Handling: 100 Watts

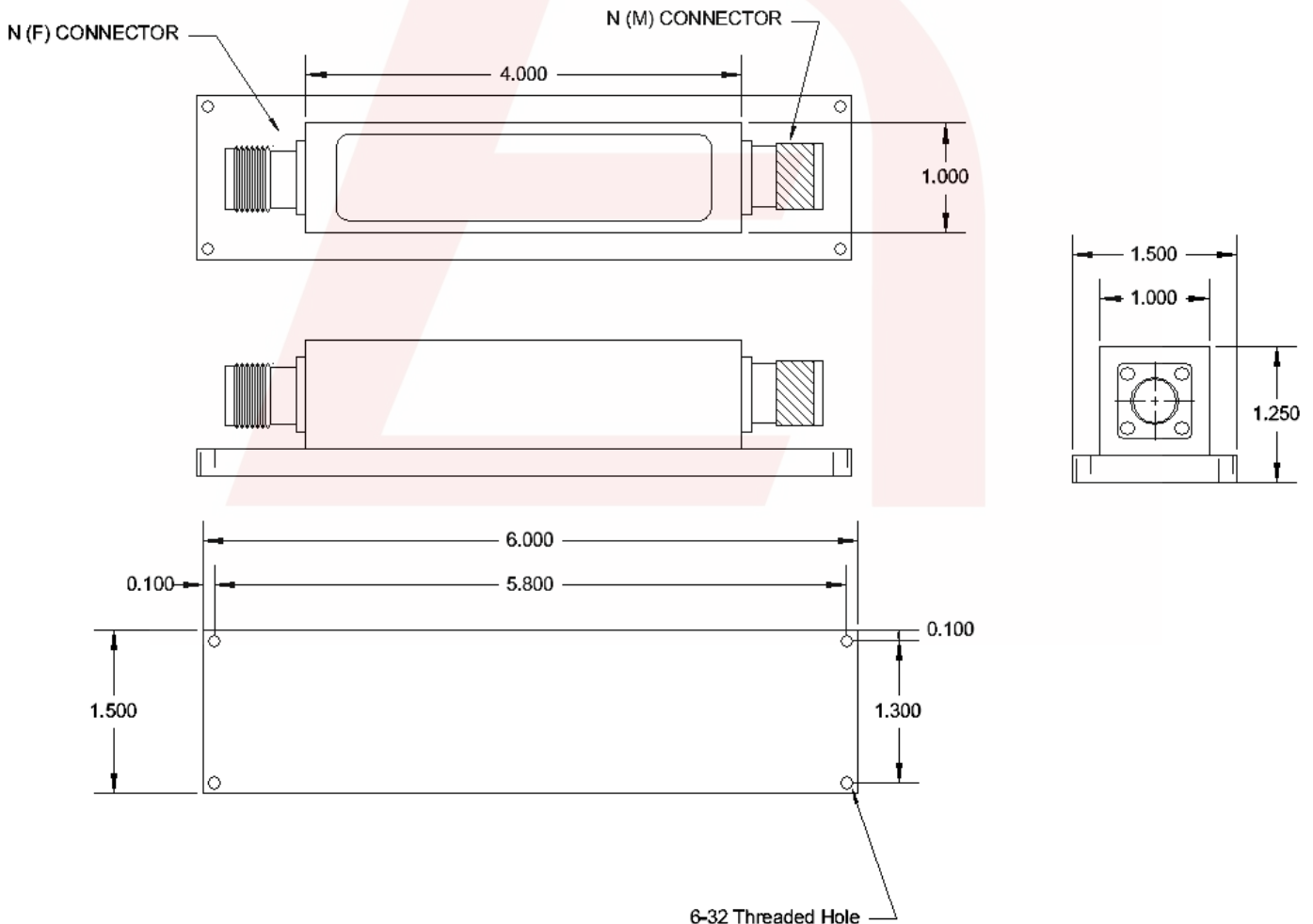
Mechanical

Connector Type: N-Type (M/F)
Dimensions: 4.0 x 1.0 x 1.0 inches
Dimensions: 6.0 x 1.5 x 1.25 Inches
(With Bracket)

Environmental

Operating Temperature: -30 to +70° C

Outline Drawing:





Response Plot:

5/28/2021 1:08:33 PM

