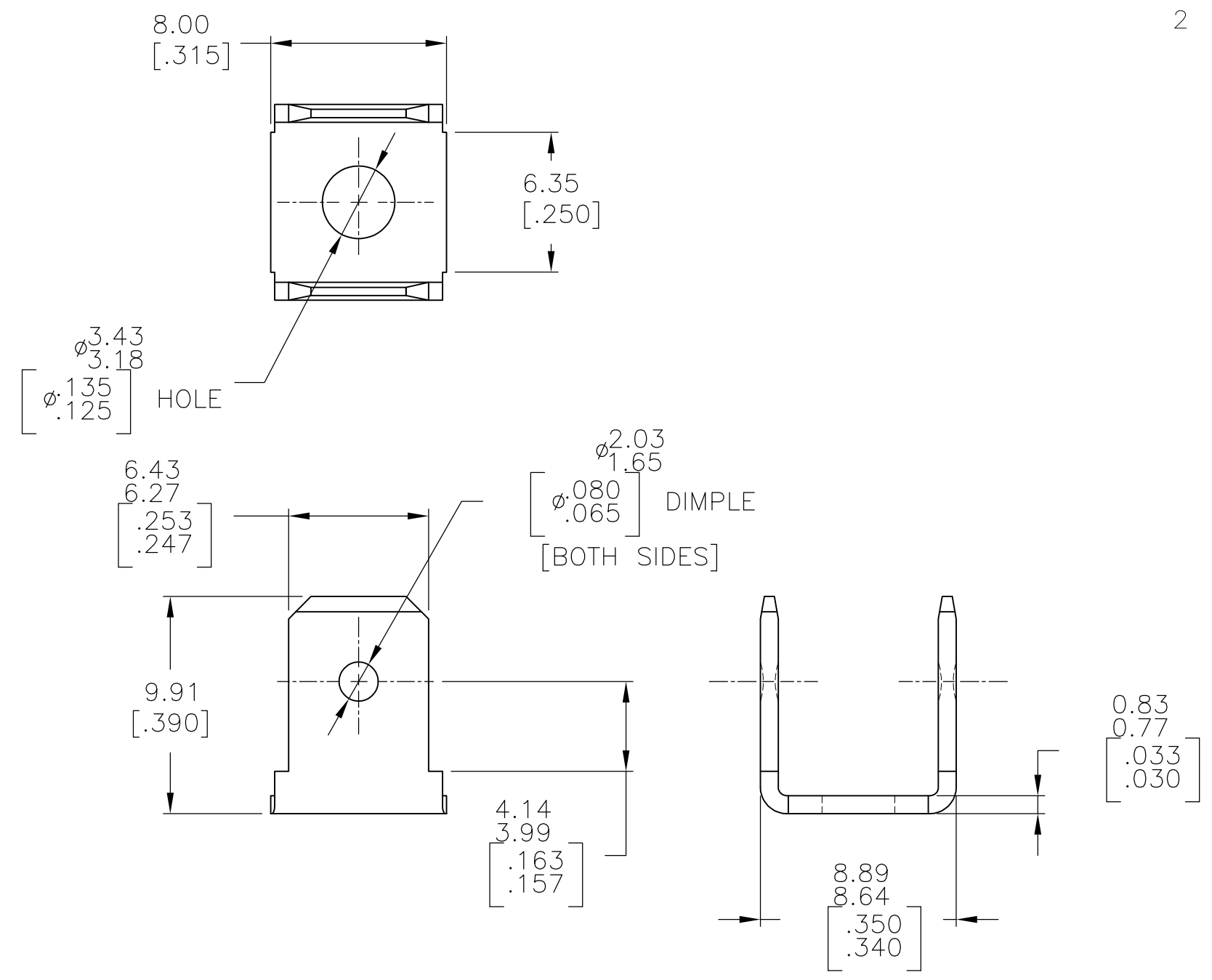


THIS DRAWING IS UNPUBLISHED. RELEASED FOR PUBLICATION
 © COPYRIGHT - By - ALL RIGHTS RESERVED.

LOC		DIST		REVISIONS			
P	LTR	DESCRIPTION		DATE	DWN	APVD	
	AH	REVISED PER ECR-13-011489		10DEC2013	KH	PD	

- 1 DIMENSIONS IN BRACKETS ARE IN INCHES.
- 2 SUPPLIED IN LOOSE PIECE.



41290
 PART NUMBER

THIS DRAWING IS A CONTROLLED DOCUMENT.		DWN	JR RUTH	8/12/86	STE TE Connectivity		
DIMENSIONS: mm [INCHES]		CHK	G YETTER	8/12/86			
TOLERANCES UNLESS OTHERWISE SPECIFIED:		APVD	C MEYERS	8/13/86	NAME		
0 PLC ± -		PRODUCT SPEC		.250 SERIES FASTON TAB			
1 PLC ± -		APPLICATION SPEC		RESTRICTED TO			
2 PLC ± -		SIZE	A3	CAGE CODE	00779	DRAWING NO	C-41290
3 PLC ± 0.25 [.010]		WEIGHT		SCALE		SHEET	
4 PLC ± -		MATERIAL		CUSTOMER DRAWING		1 OF 1	
ANGLES ± -		FINISH		4:1		REV	
MATERIAL		BRASS		AH			