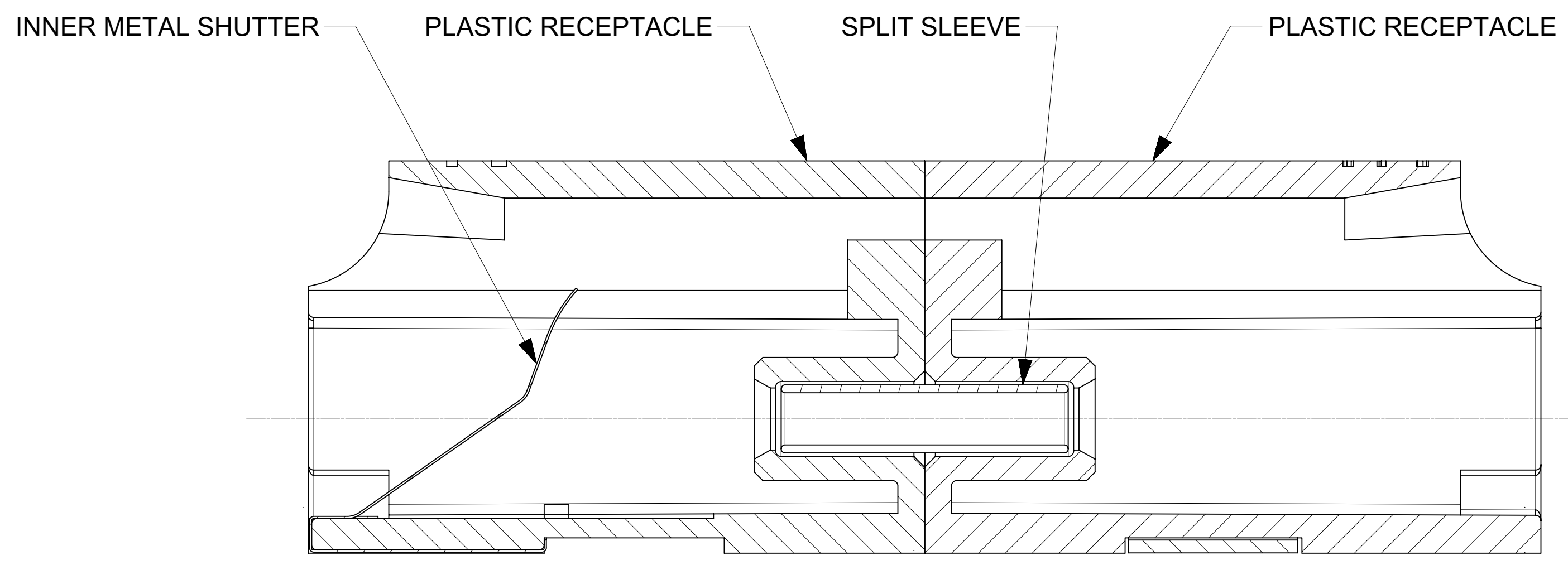
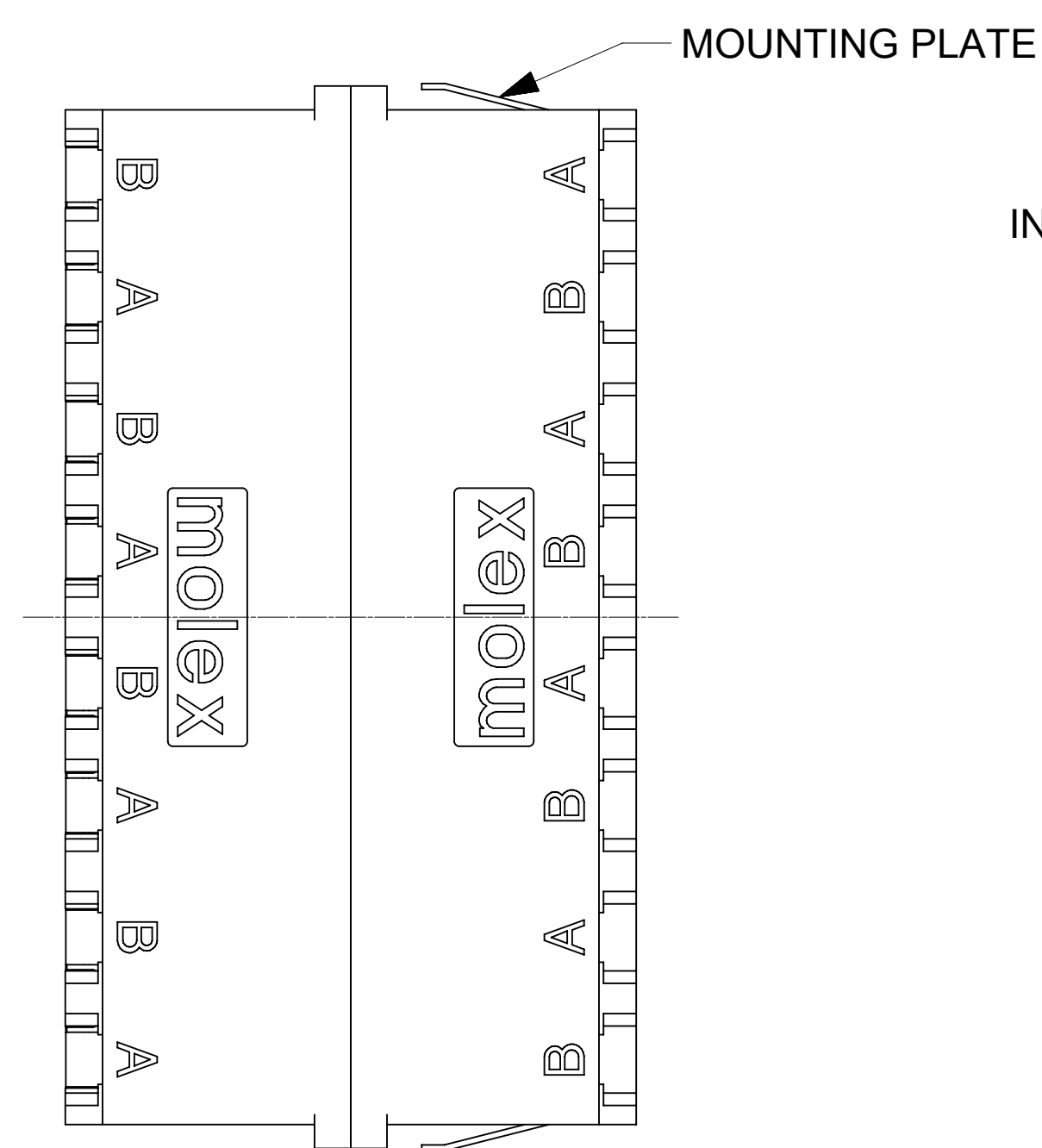
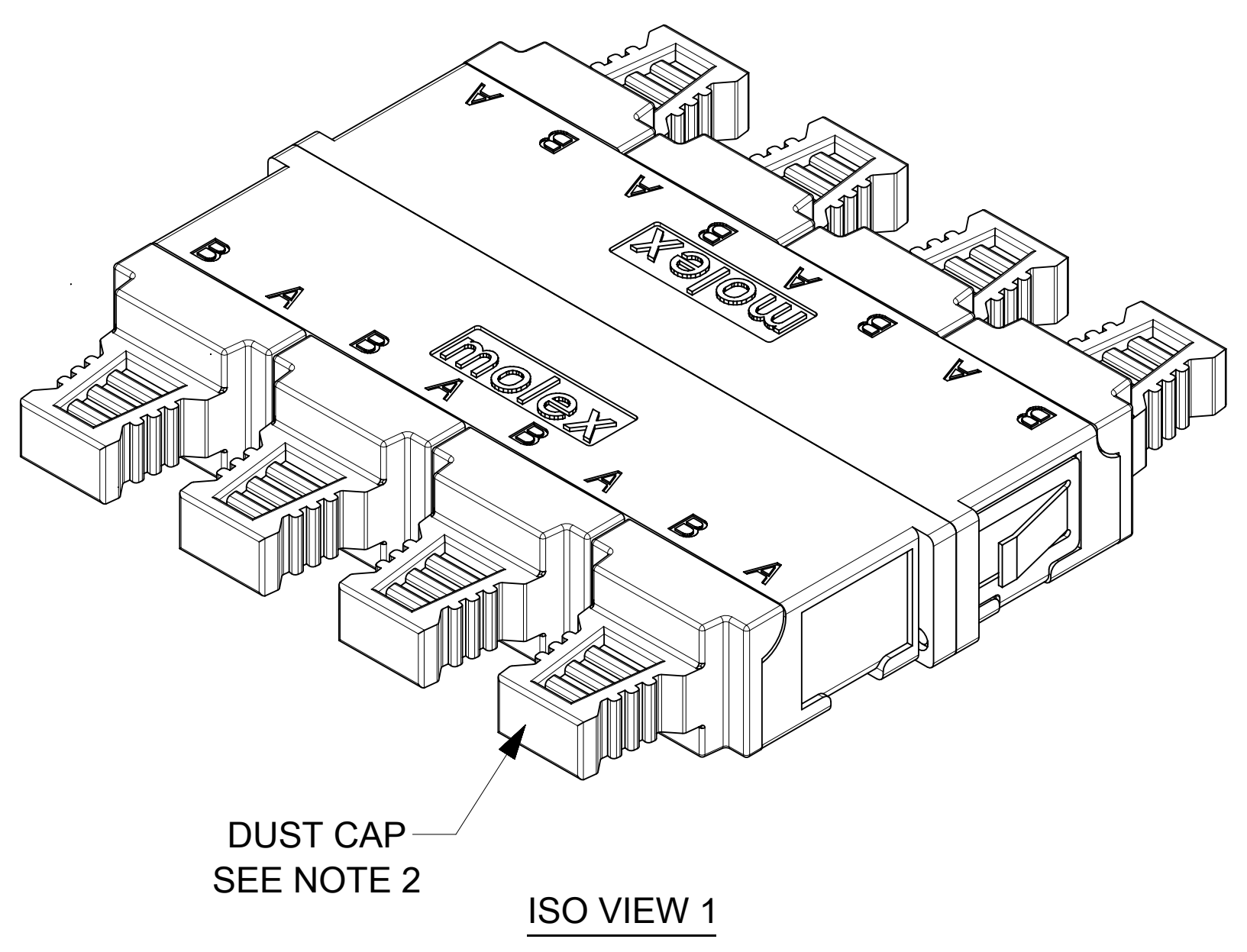
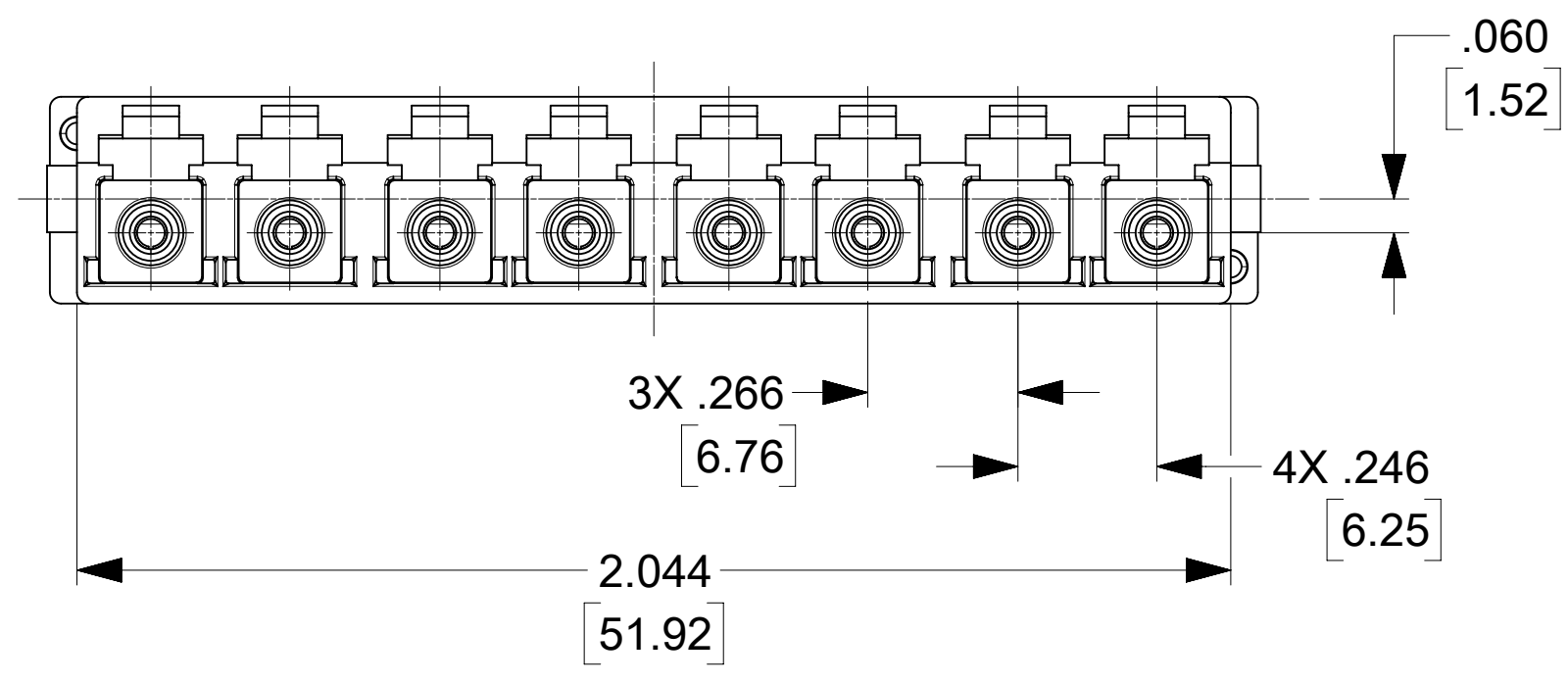
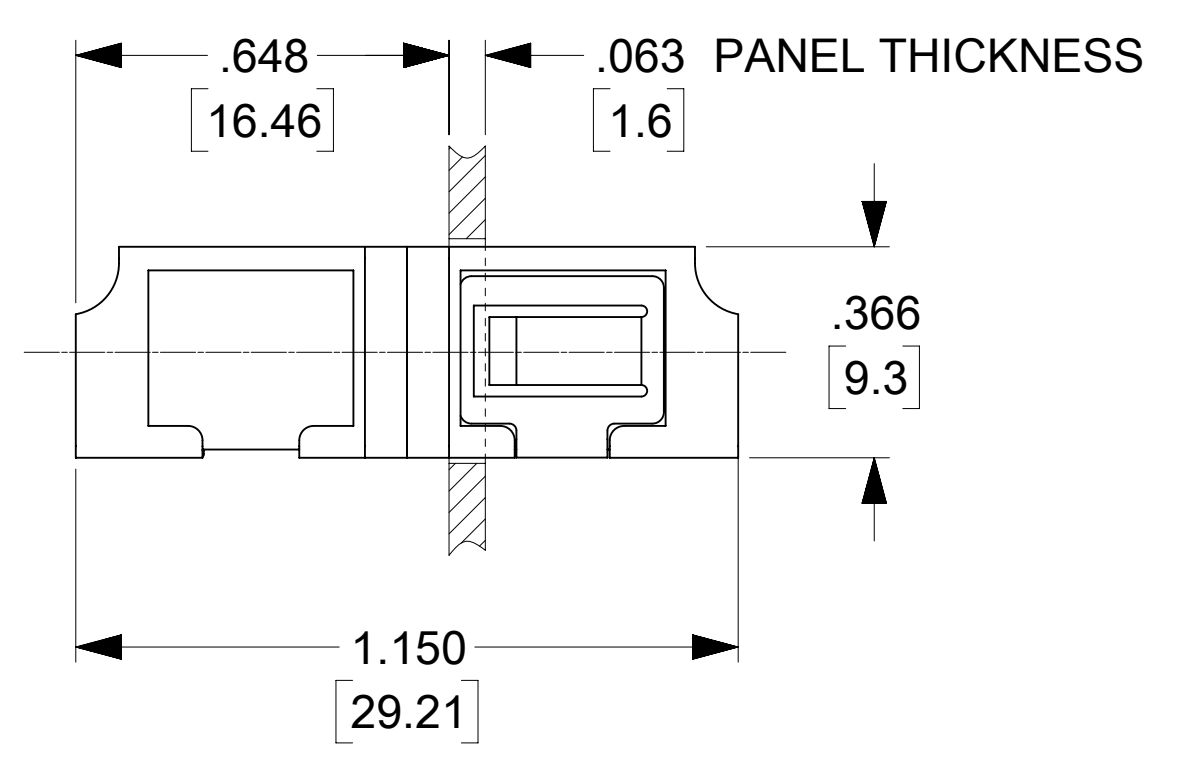
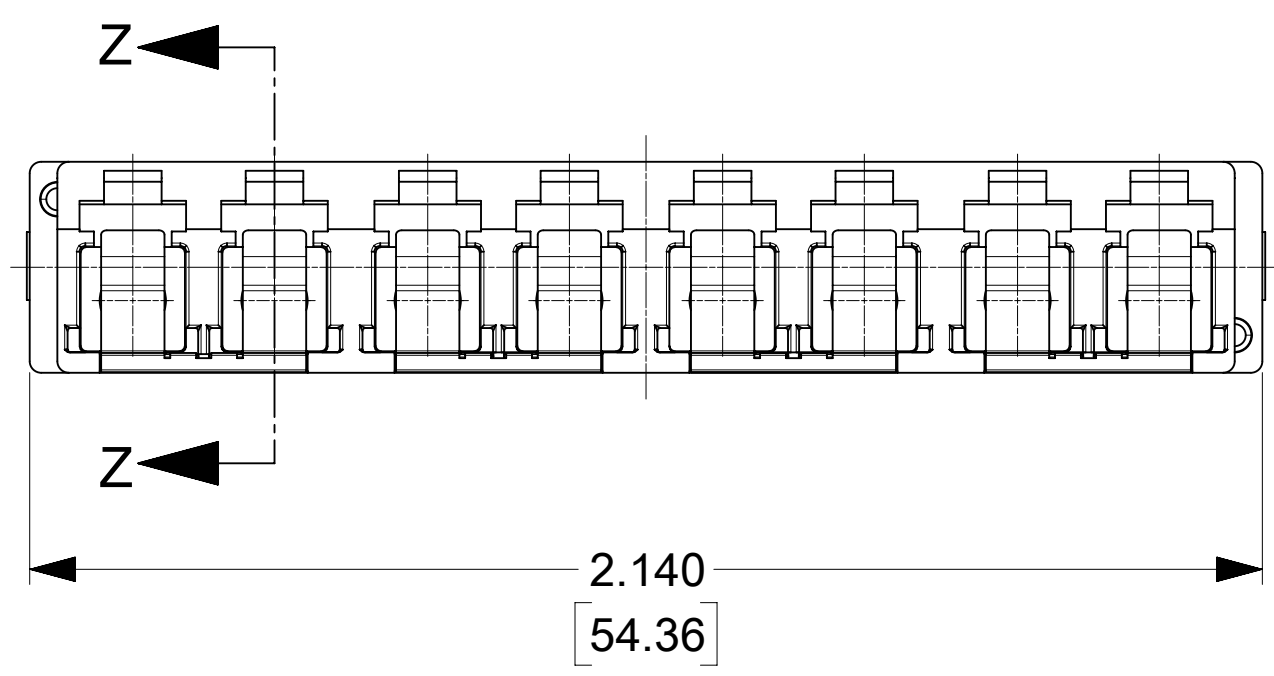


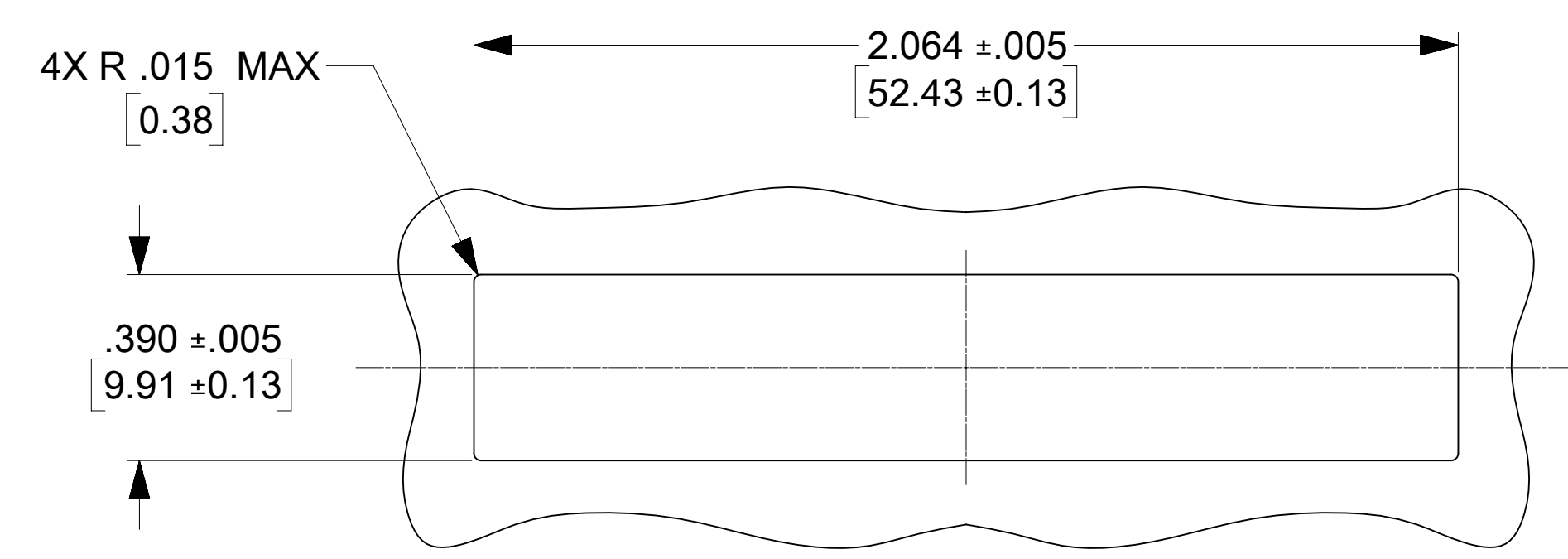
LC 8 PORT ADAPTER P/N	ADAPTER COLOR	SPLIT SLEEVE MATERIAL
106121-0460	GREEN	CERAMIC
106121-0470	BEIGE	
106121-0480	AQUA	



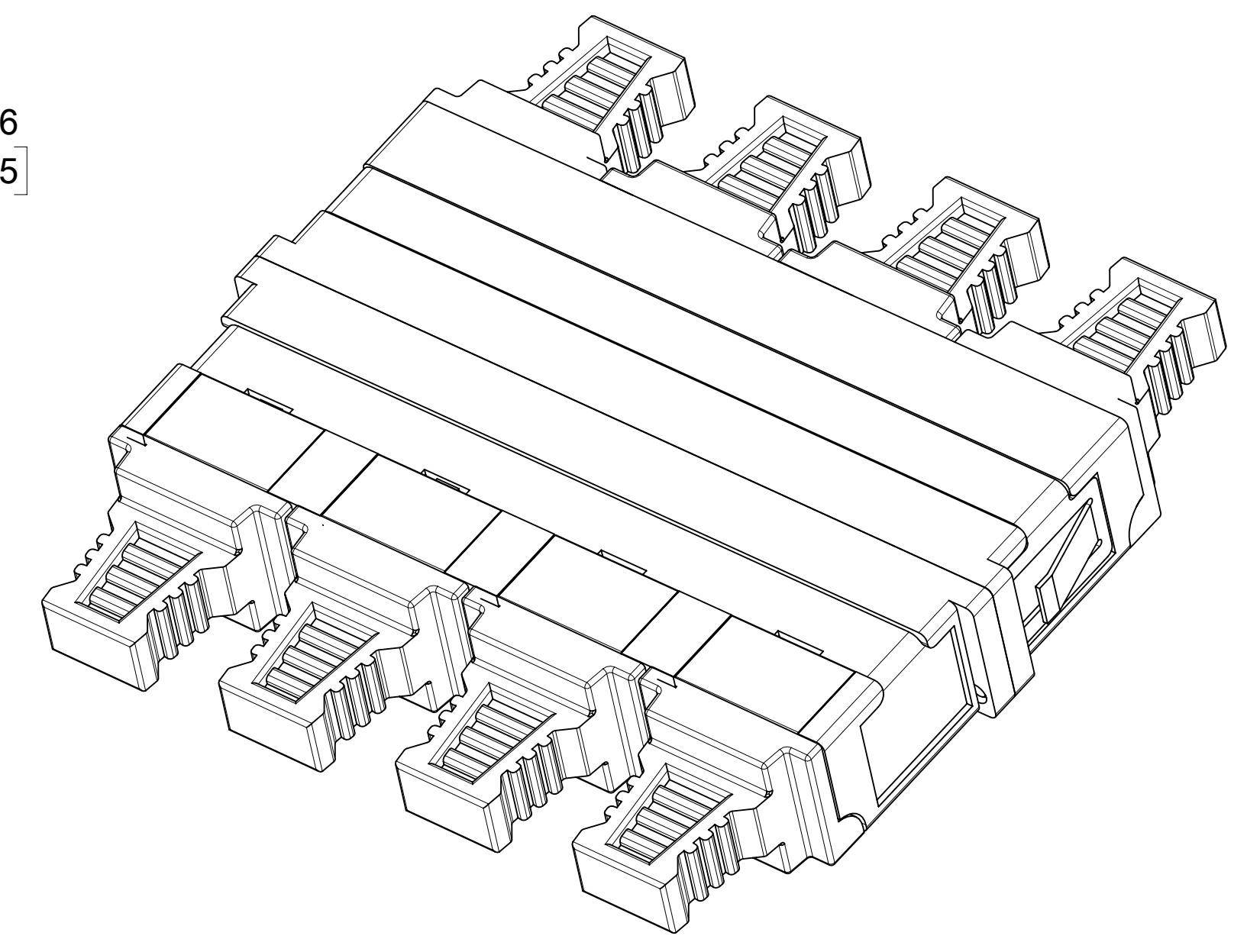
SECTION Z-Z
SCALE 10:1



ISO VIEW 1



RECOMMENDED
MOUNTING PATTERN



ISO VIEW 2

- NOTES:
 1. ALL DIMENSIONS ARE FOR REFERENCE.
 2. DUST CAPS SHOWN IN ISO VIEWS ONLY.

THIS DRAWING CONTAINS INFORMATION THAT IS PROPRIETARY TO MOLEX ELECTRONIC TECHNOLOGIES, LLC AND SHOULD NOT BE USED WITHOUT WRITTEN PERMISSION													
DIMENSION UNITS IN/MM		SCALE 3:1		CURRENT REV DESC:									
GENERAL TOLERANCES (UNLESS SPECIFIED)				EC NO: 652962				molex					
4 PLACES ±		±		DRWN: SKRISHNAMU01 2021/05/28									
3 PLACES ±		±		CHK'D: WCHEN 2021/08/24				LC 8 PORT ADAPTER SNAP MOUNT INNER SHUTTERS					
2 PLACES ±		±		APPR: WCHEN 2021/08/24									
1 PLACE ±		±		INITIAL REVISION:				PRODUCT CUSTOMER DRAWING					
0 PLACES ±		±		DRWN: YBELENIY 2012/01/04				DOCUMENT NUMBER		DOC TYPE		DOC PART	
ANGULAR TOL ± °				APPR: WCHEN 2012/02/06				SD-106121-0450		PSD		001	
DRAFT WHERE APPLICABLE MUST REMAIN WITHIN DIMENSIONS				THIRD ANGLE PROJECTION		DRAWING D-SIZE		SERIES 106121		MATERIAL NUMBER SEE TABLE		CUSTOMER GENERAL MARKET	
				SHEET NUMBER 1 OF 1									