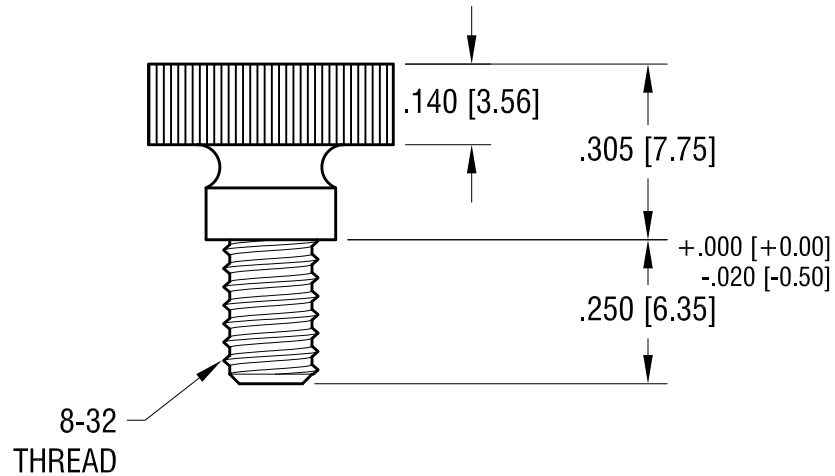
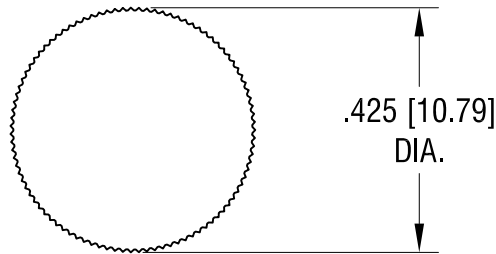
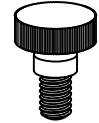


THIS DOCUMENT IS THE PROPERTY OF  
KEYSTONE ELECTRONICS CORP. AND  
SHALL NOT BE REPRODUCED, DISTRIBUTED  
OR USED AS A BASIS FOR MANUFACTURE  
WITHOUT PRIOR WRITTEN PERMISSION  
FROM KEYSTONE ELECTRONICS CORP.

ACTUAL SIZE



**KEYSTONE ELECTRONICS CORP.**

www.keyelco.com • NEW HYDE PARK, NY 11040 • Tel (516) 328-7500

|                            |                           |                        |                 |
|----------------------------|---------------------------|------------------------|-----------------|
| PART NAME                  |                           | KNURL HEAD THUMB SCREW |                 |
| MATERIAL                   |                           | NYLON 6/6              |                 |
| FINISH<br><b>NONE</b>      | DRN BY                    | NT                     | DATE<br>3.22.11 |
|                            | APP'D                     | RH                     | SCALE<br>3X     |
| TOLERANCES                 | INCH [MM]                 | CODE                   | DWG NO.         |
| DECIMAL                    | $\pm .010$ [ $\pm 0.25$ ] | C                      | <b>2506</b>     |
| ANGULAR                    | $\pm 1^\circ$             |                        |                 |
| UNLESS OTHERWISE SPECIFIED |                           |                        |                 |

|         |                          |      |
|---------|--------------------------|------|
| 8.04.11 | CHANGE AS PER ECN 11-100 | A    |
| DATE    | DESCRIPTION              | REV. |