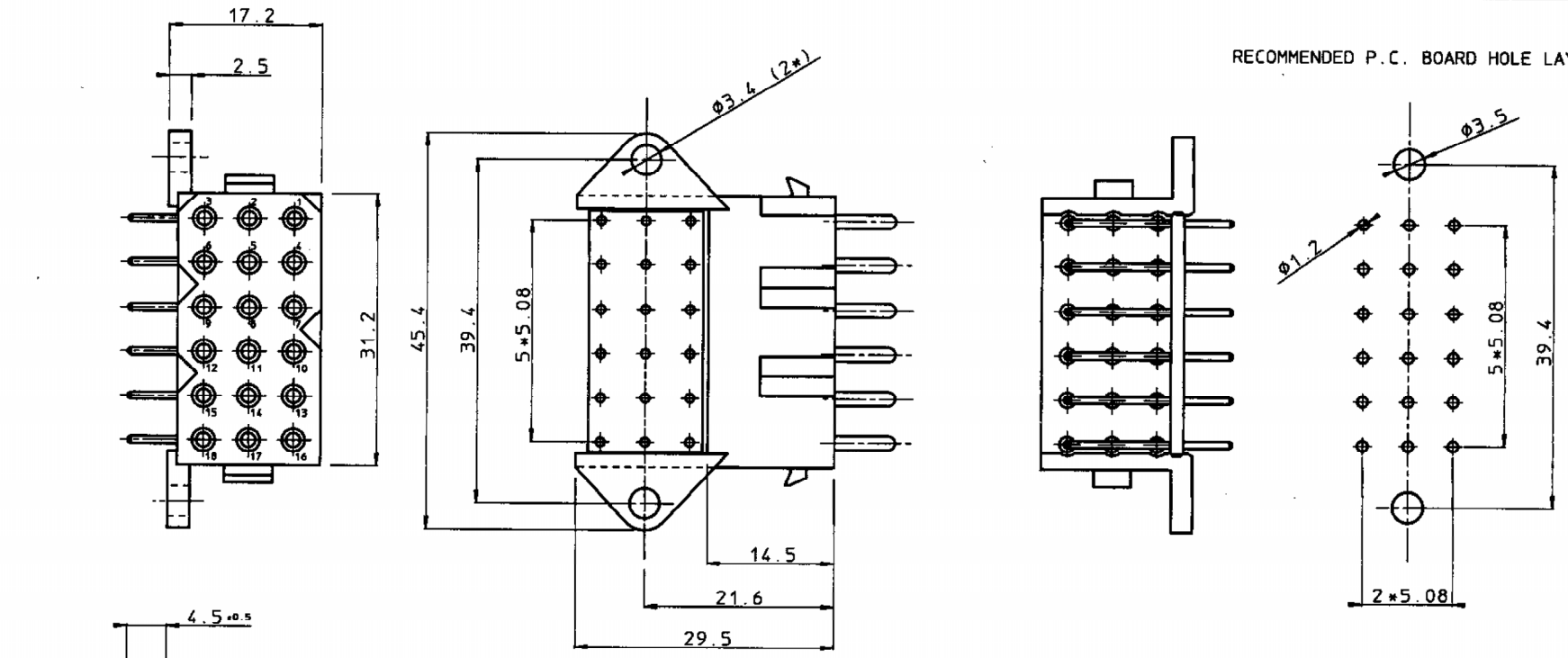


GEN. ST.	01	02	03	04	05	06	07	08	0D	50	60	70	80	90																	
INT. ST.	10	11	12	13	14	18	20	31	32	33	34	38	39	40	42	43	44	45	46	48	56	70	72	73	75	76	81	82	83	84	88

REV.	DATE	DESCRIPTION	BY	C'K'D'
02	29.08.97	B-symbol deleted	K.H.	
01	25.08.97	Conversion ME10	S.V.D.	



RECOMMENDED P.C. BOARD HOLE LAYOUT

MATERIAL :

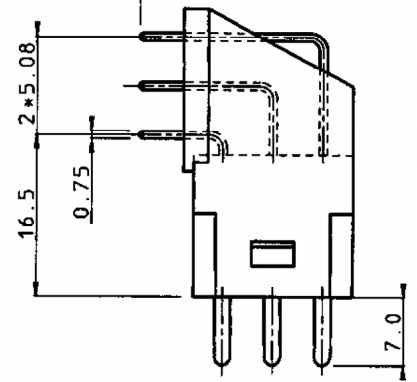
BODY : POLYESTER 30% GLASSFILLED , UL94V-0, COLOUR : BLACK
 CONTACTS : BRASS, GOLD OR TIN PLATED

PERFORMANCE CHARACTERISTICS :

OPERATING TEMPERATURE : -55°C TO 125°C
 INSULATING RESISTANCE : 5000 MΩ MIN.
 TEST POTENTIAL : 2000 VAC
 CURRENT RATING : 5 AMP

NOTES :

- CONNECTOR SUPPLIED FULLY LOADED WITH MACHINED PIN CONTACTS.
 GOLD PLATED : SMS18GE6 , GOLD FLASH : SMS18GE6J , TIN PLATED : SMS18GE6T
- MATING PART SMS18P1 PLUG
- PC-BOARD THICKNESS : 3.2 MM



THIS IS OUR EXCLUSIVE PROPERTY. IT IS NOT TO BE COPIED, REPRODUCED OR DISCLOSED TO A THIRD PARTY. USE LIMITED FOR MANUFACTURING PURPOSES OUR WRITTEN CONSENT, AND HAS TO BE RETURNED TO US IN CASE OF NO USAGE

DIT IS ONZE EIGENDEEL. VERBODEN TE KOPIEEREN, VERVEELVAKEN OF OPENBAAR MAKEN ZONDER ONZE SCHRIJFTELIJKE TOESTEMMING. DIT RIJST BESCHRIJFTE IS TERUG TE GEEVEN ALS ER GEEN TOESTEMMING IS TOEGESCHRIJD.

1DEC ±0.2 1DEC ZDEC ±0.1 ZDEC ANGLES ±1° HOEKEN	APPR. DRAFT CHECKED	DATE 2-11-88	SIGN. H. BLEUDES	MALE QIKMATE RIGHT ANGLE 18 POS. CAT. No. SMS18GE6*	SCALE 2/1
WE RESERVE THE RIGHT TO CHANGE DIMENSIONS AND MATERIALS WITHOUT PRIOR NOTICE. ALL DIMENSIONS IN MM	PROD. MGR. PR. ENG. MGR. PR. MGT. MGR.			SOURIAU Route Nationale 23 72470 CHAMPAGNE	
ALLE AFMETINGEN IN MM	REFERENCES / REFERENTIES			BS,C ,200961,001,02 DRAWING No.	CUSTOMER DRAWING