

- NOTES:
- THIS SHEET SHOWS THE CONDUIT WITH A FEMALE CONNECTOR INTERFACE AND ALL PORTS NC28 MALE.
 - MATERIAL: POLYAMIDE 66 (PA66), 0% GLASS FILL, COLOUR BLACK.
 - CONNECTOR INTERFACE;
93481-0AAB - FEMALE
93481-5AAB - MALE
 - MATES WITH NC AND NW FORMAT CONDUIT, FEMALE INTERFACE MATES WITH FEMALE CONNECTOR SERIES; SEE TABLE 2, SHEET 3.
 - FOR DIMENSIONS SPECIFIED E, F AND H, PLEASE REFER TO TABLE 1, SHEET 1.
 - APPLICATION SPECIFICATION: 850830010 PSA.
 - FLEXIBLE MOULDED LANYARD BETWEEN PART HALVES, MAY BE REMOVED.
 - CONDUIT INTERFACE SHOULD ONLY BE USED WITH APPROPRIATE CONDUIT. MOLEX CANNOT BE HELD RESPONSIBLE IF CABLES ARE DAMAGED DUE TO IMPROPER USE OF CONDUIT INTERFACE, OR IF A CONDUIT INTERFACE IS USED WITHOUT THE CONDUIT.
 - CONDUIT INTERFACE IS IP3X WHEN USED WITH A FULLY ASSEMBLED SRC CONNECTOR AND APPROPRIATE CONDUIT.
 - POST FEATURES FOR REINFORCEMENT AFTER CONNECTOR MOUNTING. AVOID INADVERTENTLY POSITIONING FEMALE CONNECTORS BETWEEN POSTS AND MOULDED WALL.
 - PACKAGING SPECIFICATION: 934811000 PSK.

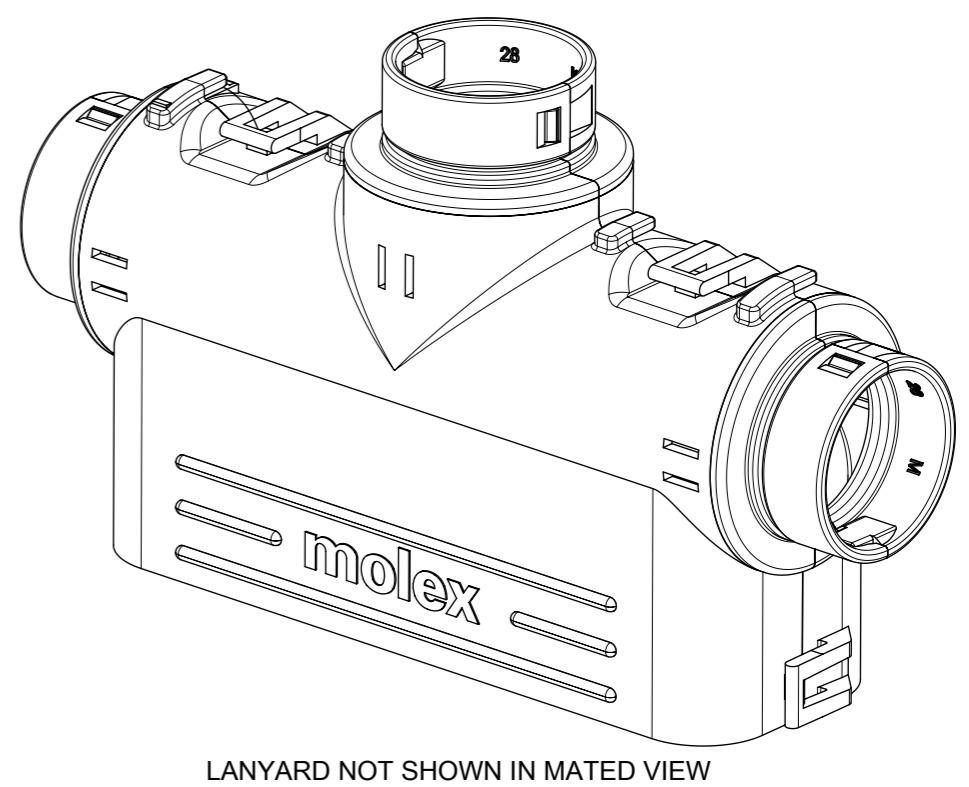
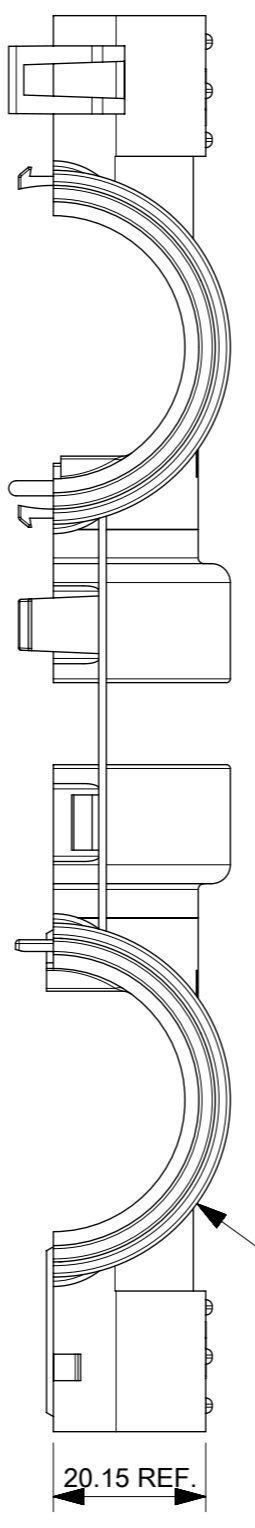
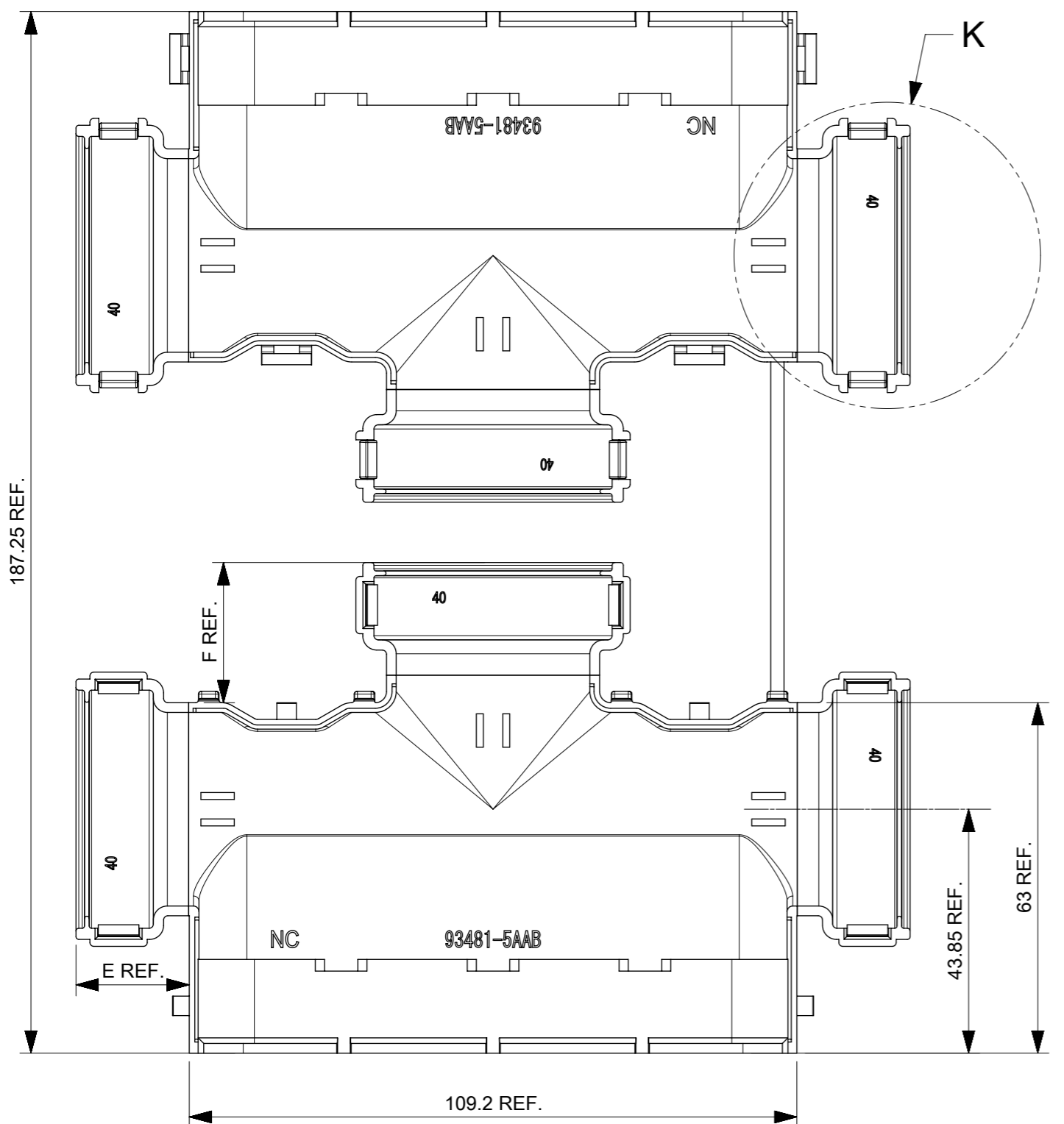


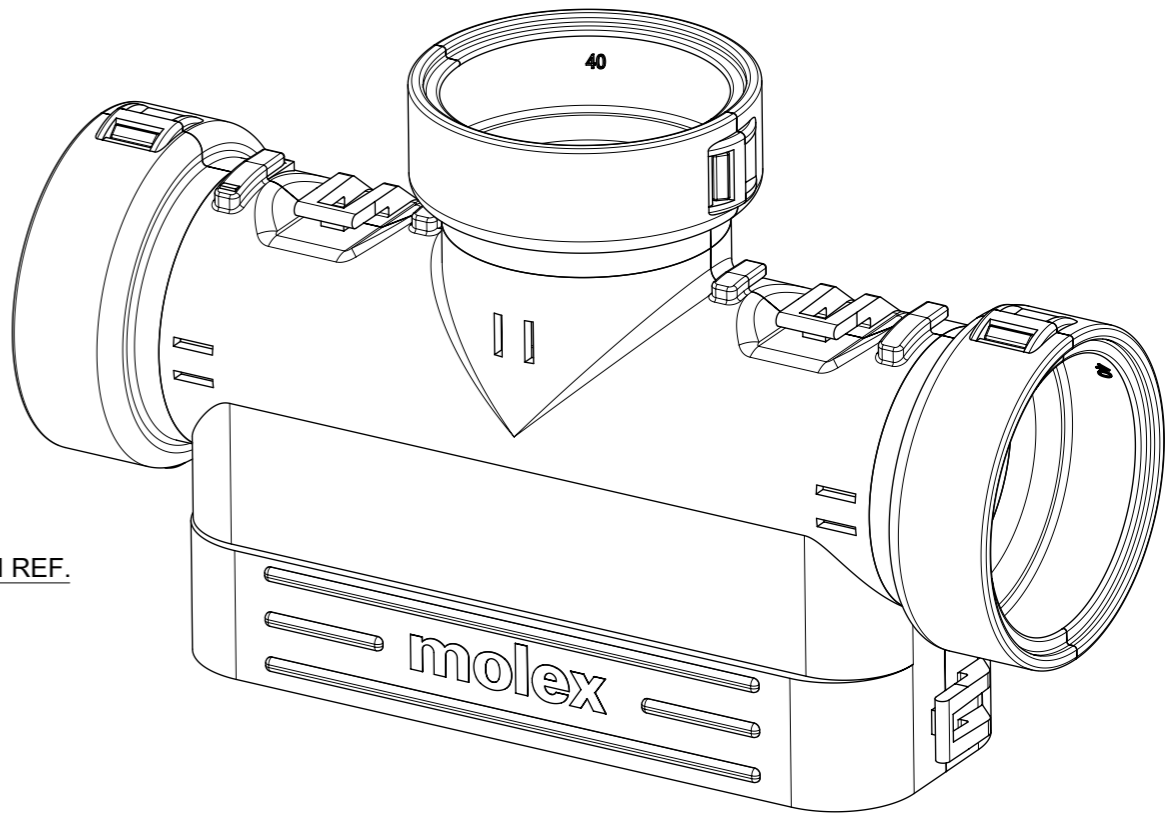
TABLE 1
ALL DIMENSIONS GIVEN IN MILLIMETRES

	NC28 MALE	NC28 FEMALE	NC32 FEMALE	NC40 FEMALE
E	14.7	14.6	14.6	20.35
F	19.5	19.45	19.45	25.2
H	28.2	32.1	38.3	46.8
K (SHEET 2)	N/A	25.0	31.5	38.5
L (SHEET 2)	N/A	28.6	34.8	42.8

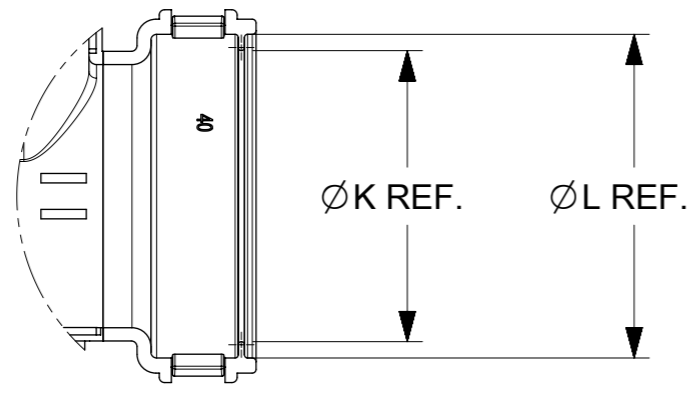
SYMBOLS	THIS DRAWING CONTAINS INFORMATION THAT IS PROPRIETARY TO MOLEX ELECTRONIC TECHNOLOGIES, LLC AND SHOULD NOT BE USED WITHOUT WRITTEN PERMISSION	SCALE		CURRENT REV DESC:	molex
	DIMENSION UNITS	SCALE	1:1		
▽ = 0	GENERAL TOLERANCES (UNLESS SPECIFIED)	EC NO: 616513		DRWN: PALLEN01	2018/07/05
▽ = 0	ANGULAR TOL ± 2.0°	DRWN: PALLEN01		CHK'D: JFLETCHER	2019/05/13
▽ = 0	4 PLACES ±	DRWN: PALLEN01		APPR: IOCONNELL	2019/11/04
▽ = 0	3 PLACES ±	INITIAL REVISION:		DOCUMENT NUMBER	
▽ = 0	2 PLACES ± 0.5	DRWN: AJOBRIEN		2015/04/23	934811000
▽ = 0	1 PLACE ± 1.0	APPR: JDWALLACE		2015/06/08	PSD 000 B3
▽ = 0	0 PLACES ±	DRAFT WHERE APPLICABLE MUST REMAIN WITHIN DIMENSIONS		MATERIAL NUMBER	
■ = 0	THIRD ANGLE PROJECTION	DRAWING	SERIES	CUSTOMER	SHEET NUMBER
▽ = 0	THIRD ANGLE PROJECTION	A3-SIZE	93481	GENERAL MARKET	1 OF 3



- NOTES:
1. MALE CONNECTOR INTERFACE AND ALL PORTS NC40 FEMALE SHOWN ON THIS SHEET.
 2. MALE INTERFACE MATES WITH MALE CONNECTOR SERIES: SEE TABLE 2, SHEET 3.
 3. FOR DIMENSIONS E, F, H, K AND L, REFER TO TABLE 1, SHEET 1.



LANYARD NOT SHOWN IN MATED VIEW



DETAIL K
SCALE 1:1

SYMBOLS	THIS DRAWING CONTAINS INFORMATION THAT IS PROPRIETARY TO MOLEX ELECTRONIC TECHNOLOGIES, LLC AND SHOULD NOT BE USED WITHOUT WRITTEN PERMISSION		CURRENT REV DESC:			molex		
	DIMENSION UNITS	SCALE						
▽ = 0		1:1	EC NO: 616513			PRODUCT CUSTOMER DRAWING		
▽ = 0	GENERAL TOLERANCES (UNLESS SPECIFIED)		DRWN: PALLEN01 2018/07/05			DOCUMENT NUMBER		
▽ = 0	ANGULAR TOL ± 2.0°		CHK'D: JFLETCHER 2019/05/13			934811000		
▽ = 0	4 PLACES ±		APPR: IOCONNELL 2019/11/04			DOC TYPE DOC PART REVISION		
▽ = 0	3 PLACES ±		INITIAL REVISION:			PSD 000 B3		
▽ = 0	2 PLACES ± 0.5		DRWN: AJOBRIEN 2015/04/23			MATERIAL NUMBER		
▽ = 0	1 PLACE ± 1.0		APPR: JDWALLACE 2015/06/08			CUSTOMER		
▽ = 0	0 PLACES ±		DRAFT WHERE APPLICABLE MUST REMAIN WITHIN DIMENSIONS			SEE TABLE		
▽ = 0	THIRD ANGLE PROJECTION		DRAWING		SERIES		SHEET NUMBER	
▽ = 0	A3-SIZE		93481		GENERAL MARKET		2 OF 3	

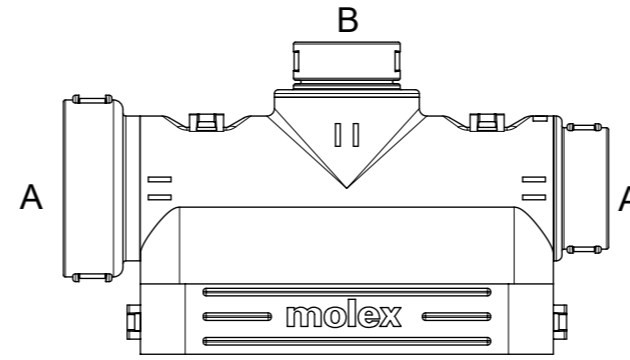
X	INTERFACE TYPE
5	MALE
0	FEMALE

SRC INTERFACE (X)
(SEE NOTES)

B
0
1
2
3
4

CENTRE OUTLET (B)

A OR B	OUTLET
0	BLANK
1	NC28 MALE
2	NC28 FEMALE
3	NC32 FEMALE
4	NC40 FEMALE



A	A
0	0
0	1
0	2
0	3
0	4
1	1
1	2
1	3
1	4
2	2
2	3
2	4
3	3
3	4
4	4

SIDE OUTLETS
(A-A)

93481-XAAB

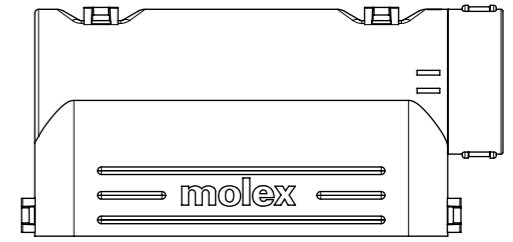
NOTES:

1. ALL OTHER NOTES AND DIMENSIONS SEE SHEET 1 & 2.
2. TABLE 2 SPECIFIES THE SRC FAMILIES THAT ARE COMPATIBLE WITH EACH OPTION OF MALE OR FEMALE INTERFACES.
3. CONDUIT COVERS MAY BE ASSEMBLED IN EITHER DIRECTION, ROTATED 180° AROUND THE CENTRE OUTLET AXIS. FOR EXAMPLE, PART NUMBER 93481-0200 IS THE SAME AS PART NUMBER 93481-0020

TABLE 2

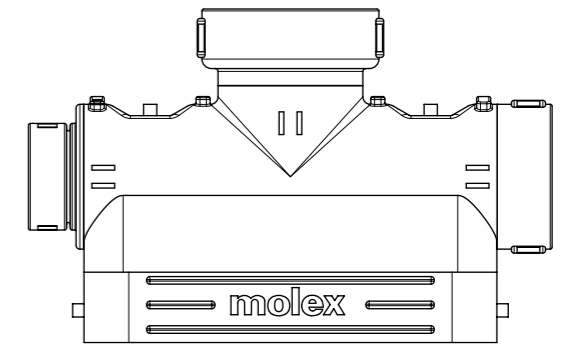
MALE	FEMALE
93792	93287
93850	93849
	85084

EXAMPLE 1



93481-0030
SRC INTERFACE: FEMALE = 0
SIDE EXIT: BLANK AND NC32 FEMALE = 03
CENTRE EXIT: BLANK = 0

EXAMPLE 2



93481-5134
SRC INTERFACE: MALE = 5
SIDE EXIT: NC28 MALE AND NC32 FEMALE = 13
CENTRE EXIT: NC40 = 4

OUTLET SIZE FORMAT
CONVERSION CHART

NC	NW
28	23
32	29
40	36

SYMBOLS		THIS DRAWING CONTAINS INFORMATION THAT IS PROPRIETARY TO MOLEX ELECTRONIC TECHNOLOGIES, LLC AND SHOULD NOT BE USED WITHOUT WRITTEN PERMISSION	
▽ = 0	DIMENSION UNITS	SCALE	CURRENT REV DESC:
▽ = 0		1:2	
▽ = 0	GENERAL TOLERANCES (UNLESS SPECIFIED)		
▽ = 0	ANGULAR TOL	± 2.0°	
▽ = 0	4 PLACES	±	EC NO: 616513
▽ = 0	3 PLACES	±	DRWN: PALLENO1 2018/07/05
▽ = 0	2 PLACES	± 0.5	CHK'D: JFLETCHER 2019/05/13
▽ = 0	1 PLACE	± 1.0	APPR: IOCONNELL 2019/11/04
▽ = 0	0 PLACES	±	INITIAL REVISION:
▽ = 0	DRAFT WHERE APPLICABLE MUST REMAIN WITHIN DIMENSIONS		
▽ = 0	THIRD ANGLE PROJECTION	DRAWING	SERIES
▽ = 0		A3-SIZE	93481
DOCUMENT NUMBER		DOC TYPE	DOC PART
934811000		PSD	000
MATERIAL NUMBER		CUSTOMER	SHEET NUMBER
SEE TABLE		GENERAL MARKET	3 OF 3

molex

SRC CONDUIT COVER

PRODUCT CUSTOMER DRAWING