



NCIR Temperature Sensor Unit (MLX90614)

SKU: U028

NCIR featured with built-in infrared sensor **MLX90614**. It can be used to measure the surface temperature of a human body or other object.

Unlike most temperature sensors, this sensor measures infrared light bouncing off of remote objects so it can sense temperature without having to touch them physically. Simply point the sensor towards what you want to measure and it will detect the temperature by absorbing IR waves emitted. Because it doesn't have to touch the object it's measuring, it can sense a wider range of temperatures than most digital sensors: from -70°C to $+380^{\circ}\text{C}$! It takes the measurement over an 90-degree field of view so it can be handy for determining the average temperature of an area.

Connect with M5Core via GROVE A IIC(0x5A).

Product Features

- Operating voltage: 4.5 to 5.5V
- Measuring temperature range: -70°C ~ 382.2°C
- Measurement accuracy at room temperature: $\pm 0.5^{\circ}\text{C}$
- Field of view: 90°
- Software Development Platform: Arduino, UIFlow(Blockly, Python)
- Two Lego-compatible holes

Kit includes

- 1x NCIR Unit
- 1x Grove Cable

Application

- Body Temperature Measurement
- Object (biological) Motion Detection

Example

1. Arduino IDE

The code below is incomplete. TO get complete code, please click [here](#).

```
#include <M5Stack.h>
#include <Wire.h>

#define NCIR_ADDR 0x5A

// declaration
uint16_t result;
float temperature;

// initialization
Wire.begin();\
M5.begin();

// read data
Wire.beginTransmission(NCIR_ADDR);Wire.write(0x07);Wire.endTransmission(false);
Wire.requestFrom(NCIR_ADDR, 2);
result = Wire.read();// Receive DATA
result |= Wire.read() << 8;// Receive DATA

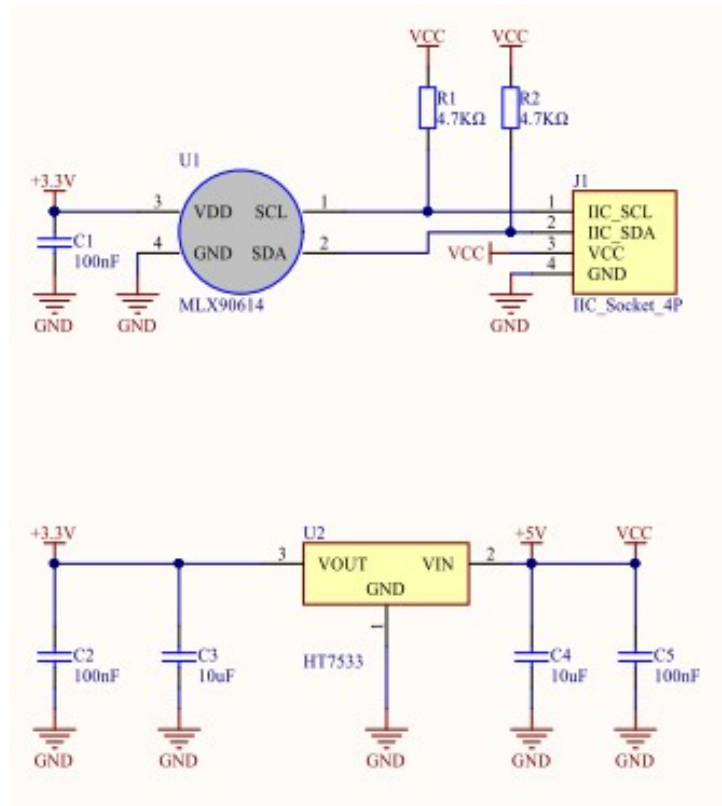
// store temperature value
temperature = result * 0.02 - 273.15;
```



2. UIFlow

TO get complete code, please click [here](#).

Schematic



PinMap

M5Core (GROVE A)	GPIO22	GPIO21	5V	GND
NCIR Unit	SCL	SDA	5V	GND



<https://m5stack.com/collections/m5-unit/products/ncir-sensor-unit/12-99-19>