

GDB SERIES TOUCH-SAFE POWR-BLOKS™

Global Distribution Blocks



Features/Benefits

- Global part meeting UL standards
- Space saving design
- Integrated touch-safe cover to increase safety
- IP20 protection rating
- Mounts to DIN rail or panels
- Reliable brass connections for excellent continuity in a smaller design

Specifications

| | |
|------------------------------|---|
| Voltage Rating | UL: 600 VAC/VDC |
| Ampere Rating | 80 – 335 A |
| Material | Thermoplastic |
| Connector | GDBxxxx: Brass GDBAxxxx: Aluminum (Tin Plated) |
| Flammability Rating | UL94 V-0 |
| Approvals | UL Recognized (File: E309688, E171395) UL Listed (File: E482231) CSA Certified (File: 700111) |
| Operating Temperature | -40°C to +90°C |
| Storage Temperature | -40°C to +100°C |
| Relative Humidity | 50% @ 40°C, 90% @ 20°C |
| Environmental | RoHS compliant |

Description

POWR-BLOKS™ Global Distribution Blocks add safety and mounting versatility to our distribution block solutions. The Global Distribution Blocks are approved to UL standards. The Global Distribution Blocks are IP20 finger safe to reduce the risk of contact and eliminate the need for block or panel covers. Installation is quick and easy, with DIN-rail and panel mount options.

Web Resources

For additional information visit Littelfuse.com/gdb

Electrical Specifications

| CATALOG/ ORDERING NUMBER | POLES | AMPS | WIRE RANGE | | | OVERCURRENT PROTECTION FUZE REQUIRED | | | | | | | SCCR IN RMS SYM AMPS | AGENCY APPROVALS | | | |
|--------------------------------|-------|------|--------------------|--------------------------------|----------------------|---|----------------------------|---|------------------------------------|------------------|--------------------------------------|----|-------------------------------|---------------------|----|-----|------|
| | | | LINE CONNECTION | | LOAD CONNECTION | CLASS J (JTD_ID) | Class T (JLLN, JLLS) | Class RK1 (LLNRK, LLSRK, KLNR, KLSR) | Class RK5 (FLNR, FLSR, IDSR) | CLASS G (SLC) | CLASS CC (CCMR, KLDL, KLKR) | UR | | cURus | UL | CSA | |
| | | | LINE | OPENINGS PER POLE | OPENINGS PER POLE | | | | | | | | | | | | LOAD |
| GDB60801Z | 1 | 80 | 1 | #8 - #4 | 6 | #8 - #4 #10 - #14 | 80 | - | - | - | - | - | 100,000 | • | | | |
| GDB61151Z | 1 | 115 | 1 | #8 - #2 #10 - #6 | 6 | #14 - #4 | 125 | - | - | - | - | - | 100,000 | • | | | |
| GDB61153Z | 3 | 115 | 1 | #8 - #2 | 6 | #14 - #4 | 125 | - | - | - | - | - | 100,000 | • | | | |
| GDBAD241Z | 1 | 115 | 1 | #10 - #2 | 4 | #14 - #10 | 125 | 200 | 100 | 30 | 60 | 30 | 65,000 | | | • | • |
| GDB61601Z | 1 | 160 | 1 | #8 - 2/0 | 6 | #14 - #4 | 175 | - | - | - | - | - | 100,000 | • | | | |
| GDB61753Z | 3 | 175 | 1 | #8 - 2/0 | 6 | #14 - #4 | 175 | - | - | - | - | - | 100,000 | | • | | |
| GDBAD451Z | 1 | 200 | 1 | #8 - 3/0 | 4 | #8 - #2 | 225 | 225 | 200 | 60 | 60 | 30 | 100,000 | | | • | • |
| | | | | #8 - 3/0 | | #14 - #8 | 100 | 110 | 100 | 30 | 60 | | | | | | |
| GDB63101Z | 1 | 310 | 1 | 3/0 - 350 kcmil | 11 | #14 - #2 | 350 | - | - | - | - | - | 100,000 | • | | | |
| | | | | | | #14 - #6 | | | | | | | | | | | |
| | | | | | | #14 - #8 | | | | | | | | | | | |
| GDBAD741Z | 1 | 335 | 1 | #6 - 400 kcmil #14 - 3/0 | 8 | #14 - #2 | - | - | - | - | - | - | 10,000 | • | | | • |

GDB SERIES TOUCH-SAFE POWR-BLOKS™

Global Distribution Blocks

Mechanical Specification

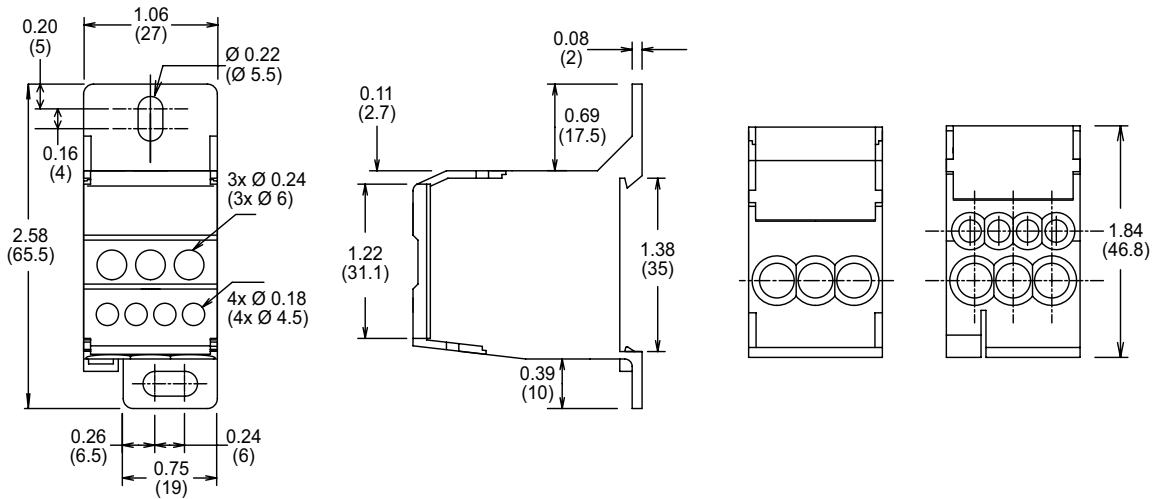
| CATALOG/ ORDERING NUMBER | POLES | AMP RATING PER POLE (UL) | LINE CONNECTION | | | | | LOAD CONNECTION | | | | | |
|--------------------------------|-------|-----------------------------------|----------------------|-----------------------|------------------|-------------------------------|--|----------------------|---------------------------|---------------|----------------------|--|-----------|
| | | | OPENINGS PER POLE | OPENING DIAMETER | SCREW TYPE | WIRE RANGE | TORQUE LB-IN (NM) | OPENINGS PER POLE | OPENING DIAMETER | SCREW TYPE | WIRE RANGE | TORQUE LB-IN (NM) | |
| GDB60801Z | 1 | 80 | 1 | 0.28 in (7.0 mm) | Slotted | #8 - #4 (Cu) | 13.5 (1.5) | 6 | 2x 0.28 in (2x 7.0 mm) | Slotted | #8 - #4 (Cu) | 13.5 (1.5) | |
| | | | | | | | | | 4x 0.18 in (4x 4.5 mm) | | | #10 - #14 (Cu) | 7.2 (0.8) |
| GDB61151Z | 1 | 115 | 2 | 0.39 in (10.0 mm) | Hex 4 mm | #8 - #2 (Cu) | 31 (3.5) | 6 | 0.28 in (7.0 mm) | Slotted | #14 - #4 (Cu) | 17.5 (2) | |
| | | | | | | #10 - #6 (Cu) | | | | | | 17.5 (2) | |
| GDB61153Z | 3 | 115 | 1 | 0.39 in (10.0 mm) | Hex 4mm | #8 - #2 (Cu) | 31 (3.5) | 6 | 0.25 in (6.5 mm) | Hex 3mm | #14 - #4 (Cu) | 17.5 (2) | |
| GDBAD241Z | 1 | 115 | 1 | 0.312 in (7.9 mm) | Hex 4 mm | #14 - #2 (Cu/Al) | 35 (4.0) #14 - #10 40 (4.15) #8 45 (5.1) #6 - #4 50 (5.6) #3 - #2 | 4 | 0.159 in (4.0 mm) | Hex 2 mm | #14 - #10 (Cu/Al) | 7 (0.8) | |
| GDB61601Z | 1 | 160 | 1 | 0.49 in (12.5 mm) | Hex 5mm | #8 - 2/0 (Cu) | 35.5 (4) | 6 | 0.28 in (7.0 mm) | Slotted | #14 - #4 (Cu) | 17.5 (2.0) | |
| GDB61753Z | 3 | 175 | 1 | 0.47 in (12.0 mm) | Hex 5mm | #8 - 2/0 (Cu) | 35.5 (4) | 6 | 0.25 in (6.5 mm) | Hex 3mm | #14 - #4 (Cu) | 17.5 (2.0) | |
| GDBAD451Z | 1 | 200 | 1 | 0.531 in (13.5 mm) | Hex 6mm | #14 - 3/0 (Cu/Al) | 50 (5.6) #14 - #10 180 (20.3) #8 - 3/0 | 4 | 0.313 in (7.9mm) | Hex 5mm | #14 - #2 (Cu/Al) | 40 (4.5) #14 - #10 50 (5.6) #8 - #2 | |
| GDB63101Z | 1 | 310 | 1 | 0.75 in (19.0 mm) | Hex 8mm | 3/0 - 350 kcmil (Cu) | 230 (26.0) | 11 | 2x 0.35 in (2x 9.0mm) | Slotted | #14 - #2 (Cu) | 31 (3.5) | |
| | | | | | | | | | 5x 0.25 in (5x 6.5mm) | | | #14 - #6 (Cu) | 18 (2.0) |
| | | | | | | | | | 4x 0.21 in (4x 5.3mm) | | | #14 - #8 (Cu) | |
| GDBAD741Z | 1 | 335 | 1 | 0.516 in (13.1 mm) | Hex 8mm & 6mm | #14 - 400 kcmil (Cu/Al) | 40 (4.5) #14 - #8 80 (9.0) #6 - #2 | 8 | 0.375 in (9.5 mm) | Hex 5mm | #14 - #2 (Cu/Al) | 40 (4.5) #14 - #8 | |
| | | | | | | | 120 (13.6) #1 - #3/0 275 (31.10) #6 - #1/0 375 (42.4) 2/0 - 400 kcmil | | | | | 80 (9.0) #6 - #2 | |

GDB SERIES TOUCH-SAFE POWR-BLOKS™

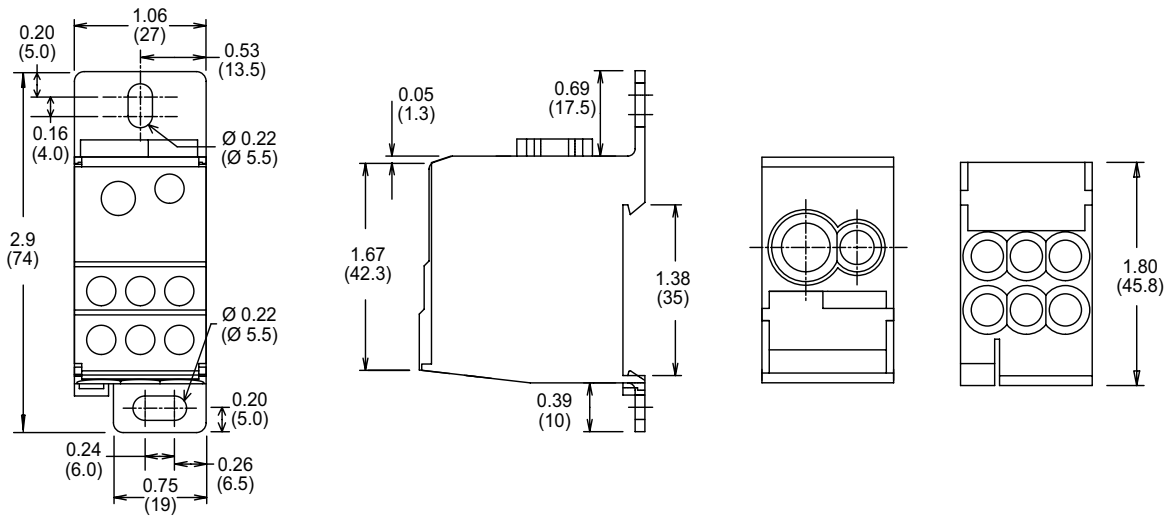
Global Distribution Blocks

Dimensions Inches (mm)

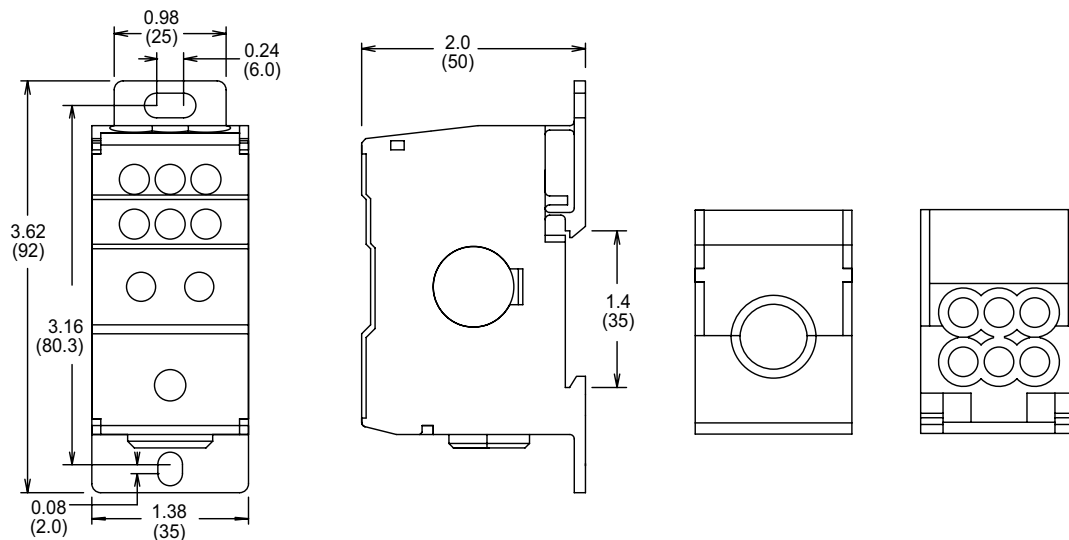
GDB60801Z



GDB61151Z



GDB61601Z

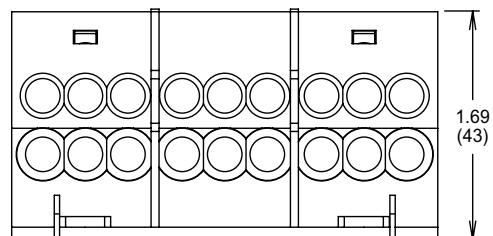
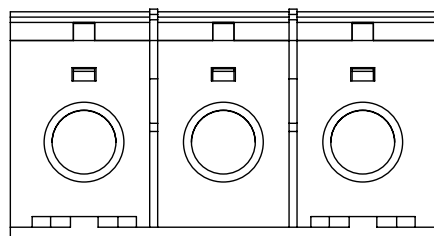
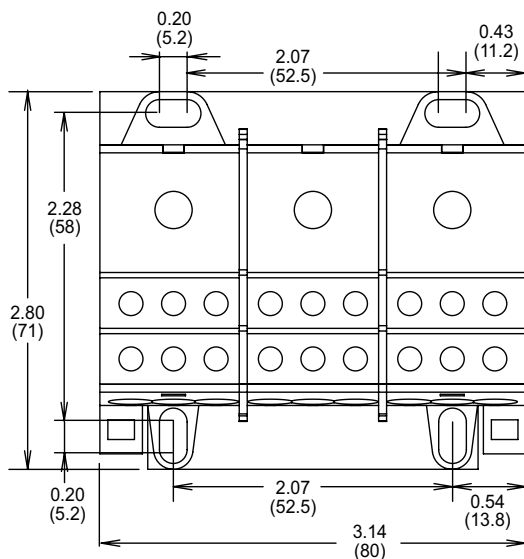


GDB SERIES TOUCH-SAFE POWR-BLOKS™

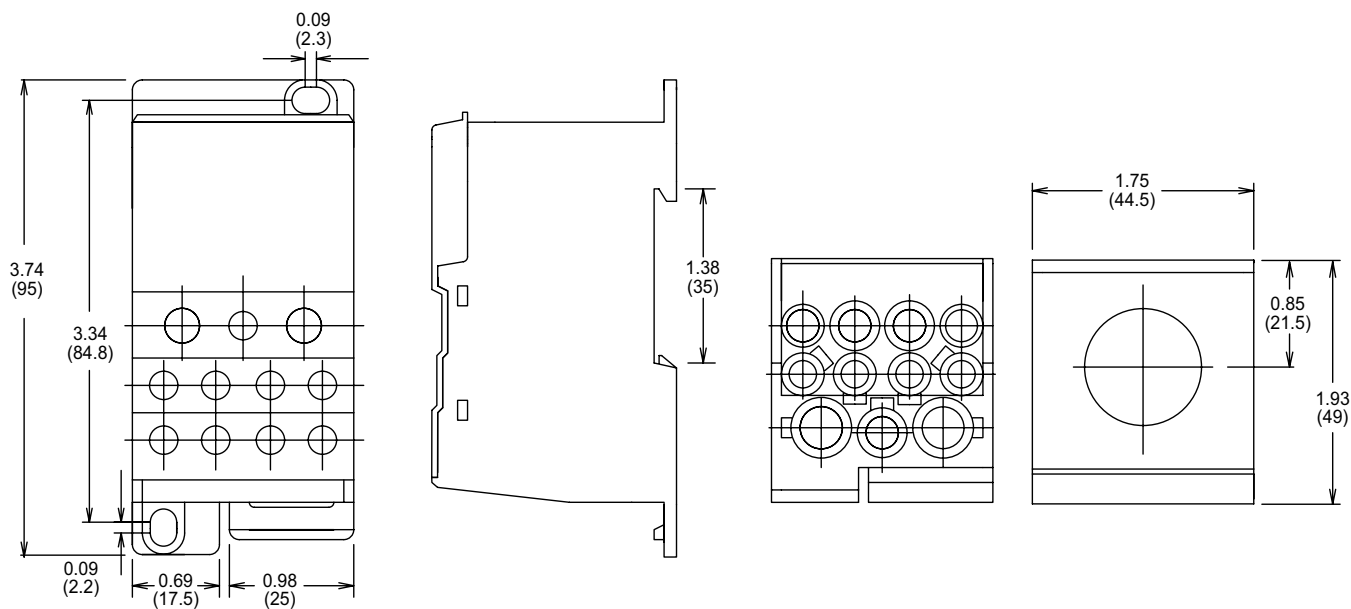
Global Distribution Blocks

Dimensions Inches (mm)

GDB61153Z
GDB61753Z



GDB63101Z

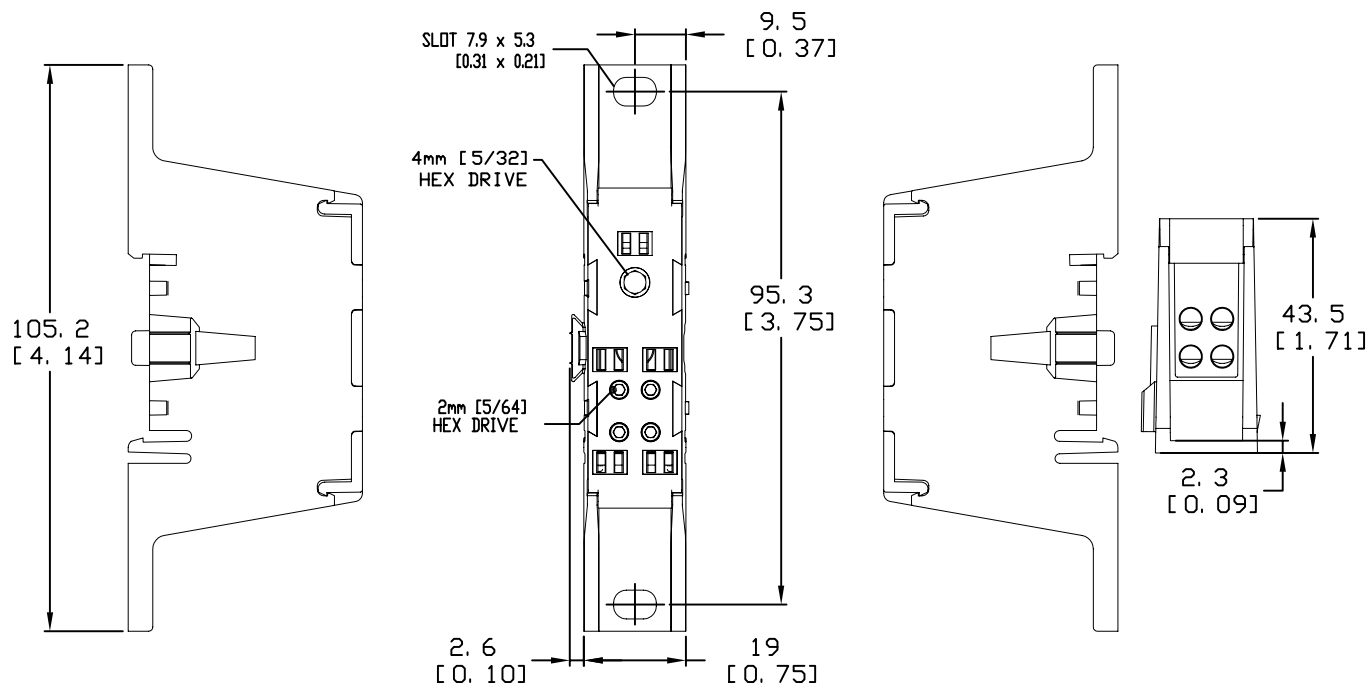


GDB SERIES TOUCH-SAFE POWR-BLOKS™

Global Distribution Blocks

Dimensions Millimeters (in)

GDBAD241Z

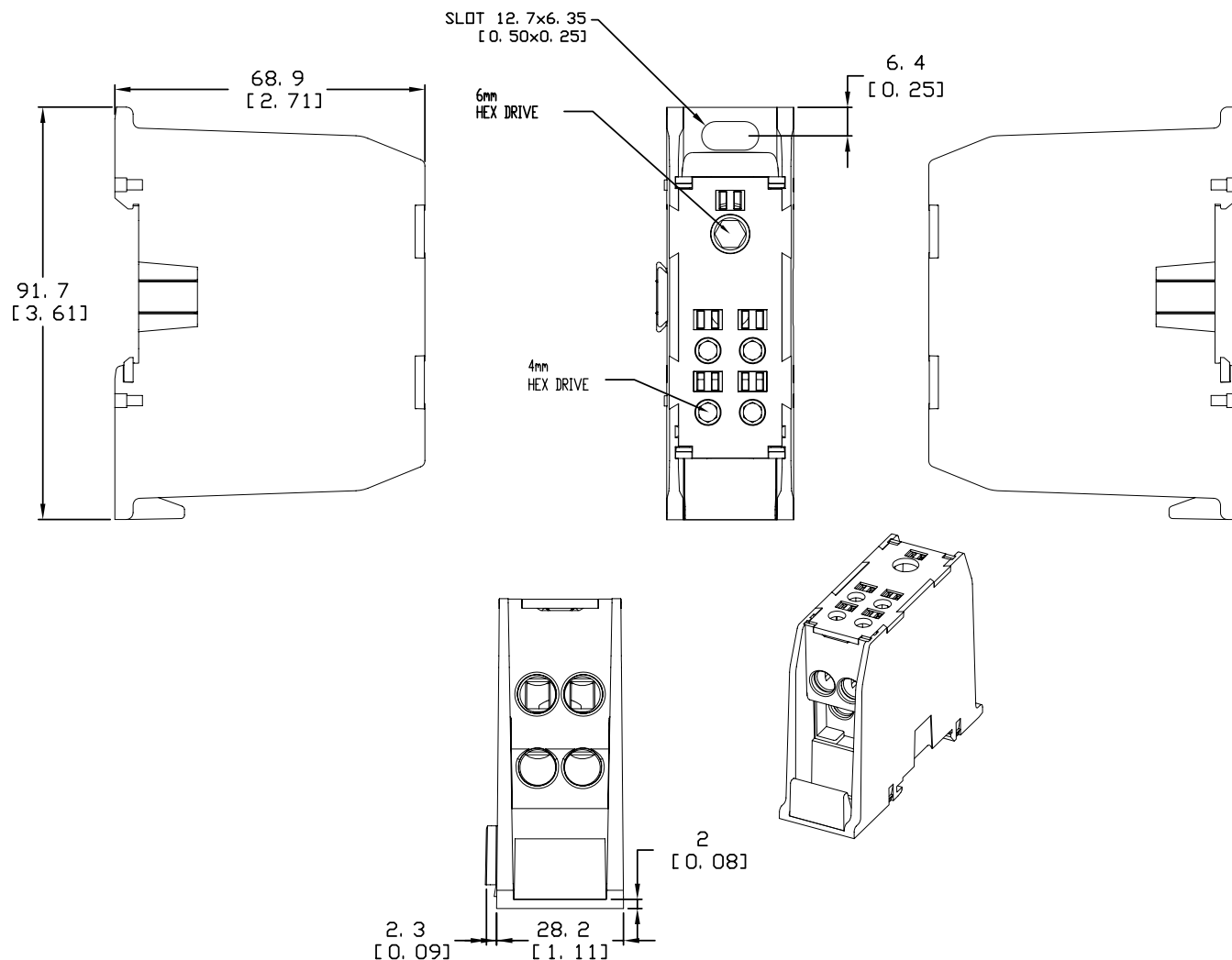


GDB SERIES TOUCH-SAFE POWR-BLOKS™

Global Distribution Blocks

Dimensions Millimeters (in)

GDBAD451Z

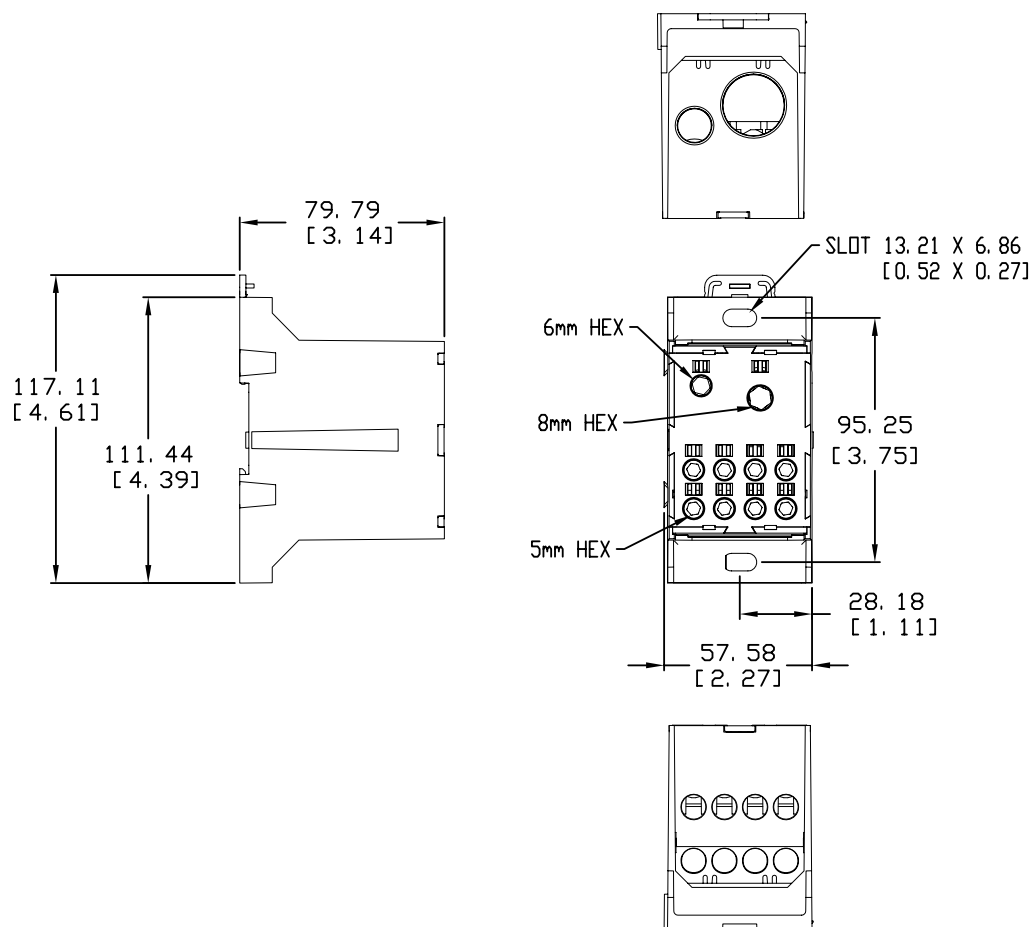


GDB SERIES TOUCH-SAFE POWR-BLOKS™

Global Distribution Blocks

Dimensions Millimeters (in)

GDBAD741Z



Disclaimer Notice – Information furnished is believed to be accurate and reliable. However, users should independently evaluate the suitability of and test each product selected for their own applications. Littelfuse products are not designed for, and may not be used in, all applications. Read complete Disclaimer Notice at www.littelfuse.com/product-disclaimer.