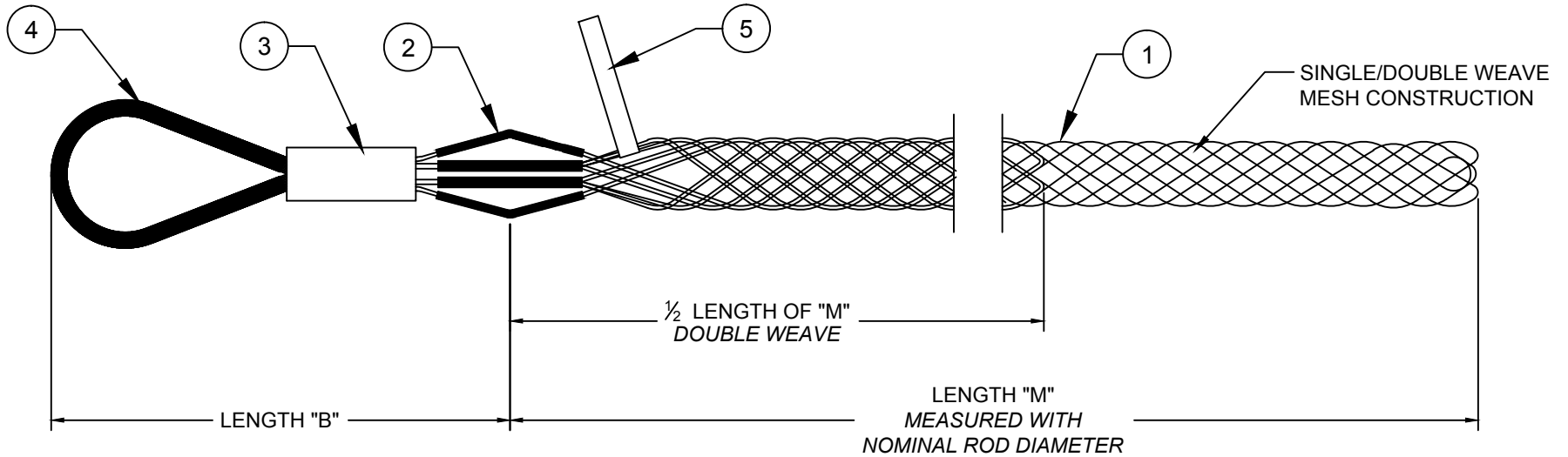


CATALOG NUMBER	MATERIAL NUMBER	CABLE RANGE	NOMINAL ROD DIAMETER	LENGTH "M"	LENGTH "B"	BREAK STRENGTH* (LBS/N)	UL LISTED	CSA APPROVED	PRODUCT SELECTION NUMBER
35930	1300950165	.37-.49 / 9.4-12.4	.43 / 10.9	12.00±1.50 / 305±38	4.50±0.50 / 114±13	2500 / 11121	NO	YES	PM037
35931	1300950166	.50-.74 / 12.7-18.8	.62 / 15.7	14.00±1.50 / 356±38	5.00±0.50 / 127±13	3400 / 15124			PM050
35932	1300950167	.75-.99 / 19.1-25.1	.87 / 22.1	18.00±2.00 / 457±51	5.00±0.50 / 127±13	5500 / 24465			PM075
35933	1300950168	1.00-1.24 / 25.4-31.5	1.12 / 28.4	22.00±2.50 / 559±64	5.50±0.50 / 140±13	8100 / 36031			PM100
35934	1300950169	1.25-1.49 / 31.8-37.8	1.37 / 34.8	24.00±2.50 / 610±64	5.50±0.50 / 140±13	8100 / 36031			PM125
35935	1300950170	1.50-1.74 / 1.50-44.2	1.62 / 41.1	26.00±2.50 / 660±64	6.00±0.50 / 152±13	8100 / 36031			PM150

*TO DETERMINE RECOMMENDED WORKING LOAD, DIVIDE BREAK STRENGTH BY 5.



ITEM	DESCRIPTION	MATERIAL
1	WIRE MESH	GALVANIZED STEEL
2	SHOULDER PROTECTOR	NYLON
3	FERRULE	ALUMINUM
4	BALE PROTECTOR	POLYURETHANE
5	LABEL	MYLAR

RELEASE SALES DRAWING EC NO: IPC2014-1487 DRWN: HRUIZ01 2014/05/13 CHKD: HKNEELAN 2014/05/13 APPR: JFMURPHY 2014/10/14	QUALITY SYMBOLS ▽=0 ▽C=0
A	REV

GENERAL TOLERANCES (UNLESS SPECIFIED)	
	mm INCH
4 PLACES	±--- ±---
3 PLACES	±--- ±.005
2 PLACES	±.13 ±.010
1 PLACE	±.25 ±.020
ANGULAR ±1/2°	
DRAFT WHERE APPLICABLE MUST REMAIN WITHIN DIMENSIONS	

DIMENSION STYLE INCH/MM	
DRAWN BY	DATE
HRUIZ01	2014/05/13
CHECKED BY	DATE
HKNEELAN	2014/05/13
APPROVED BY	DATE
JFMURPHY	2014/10/14
MATERIAL NO.	SEE TABLE
SIZE	A

SCALE NTS	DESIGN UNITS INCH	THIRD ANGLE PROJECTION
TITLE PULLING GRIPS MEDIUM DUTY SHORT LENGTH FLEXIBLE EYE		
MOLEX MOLEX INCORPORATED		
MATERIAL NO.	DOCUMENT NO.	SHEET NO.
	SD-130095-102	1 OF 1
THIS DRAWING CONTAINS INFORMATION THAT IS PROPRIETARY TO MOLEX INCORPORATED AND SHOULD NOT BE USED WITHOUT WRITTEN PERMISSION		