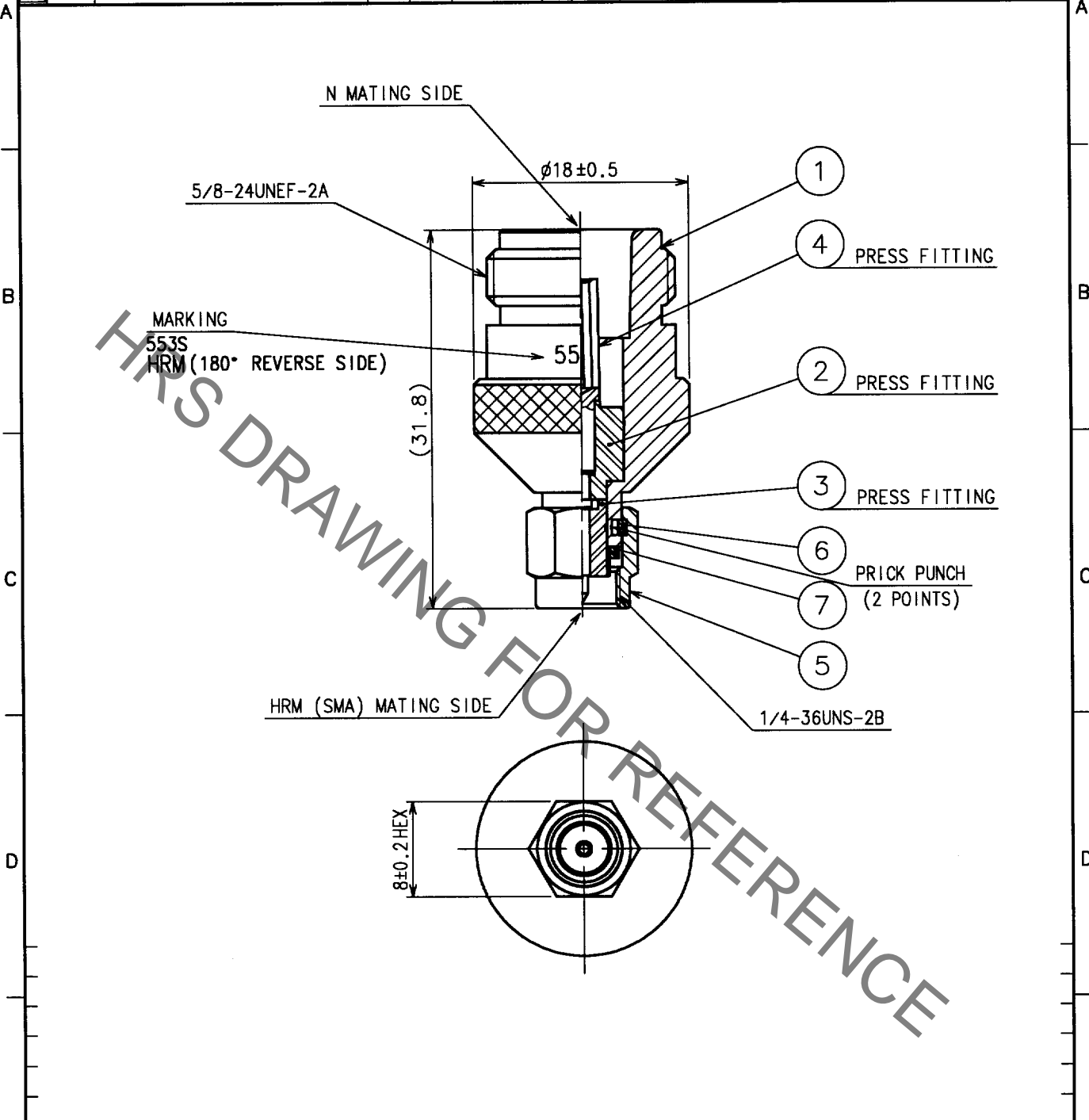


May.1.2023 Copyright 2023 HIROSE ELECTRIC CO., LTD. All Rights Reserved.
In case of consideration for using Automotive equipment / device which demand high reliability, kindly contact our sales window correspondents.

1	2			3			4		
COUNT	DESCRIPTION OF REVISIONS	BY	CHKD	DATE	COUNT	DESCRIPTION OF REVISIONS	BY	CHKD	DATE
△					△				..
△					△				..
△					△				..



4	BERYLLIUM COPPER	GOLD PLATING			
3	PTFE		7	SILICONE RUBBER	
2	PTFE		6	BERYLLIUM COPPER	NICKEL PLATING
1	STAINLESS STEEL	PASSIVATE	5	STAINLESS STEEL	PASSIVATE
NO.	MATERIAL	FINISH, REMARKS	NO.	MATERIAL	FINISH, REMARKS

CODE NO. (OLD)		DRAWN	DESIGNED	CHECKED	APPROVED	RELEASED
		<i>M. Watanabe</i>	<i>M. Watanabe</i>	<i>K. Shimizu</i>	<i>F. Kobayashi</i>	
		'04.1.9	'04.1.9	'04.01.13	'04.01.14	
DRAWING NO. EDC4-007142			PART NO. HRM-553S			
UNITS mm			CODE NO. CL311-0121-3			
HRS HIROSE ELECTRIC CO., LTD.						

TO
RF