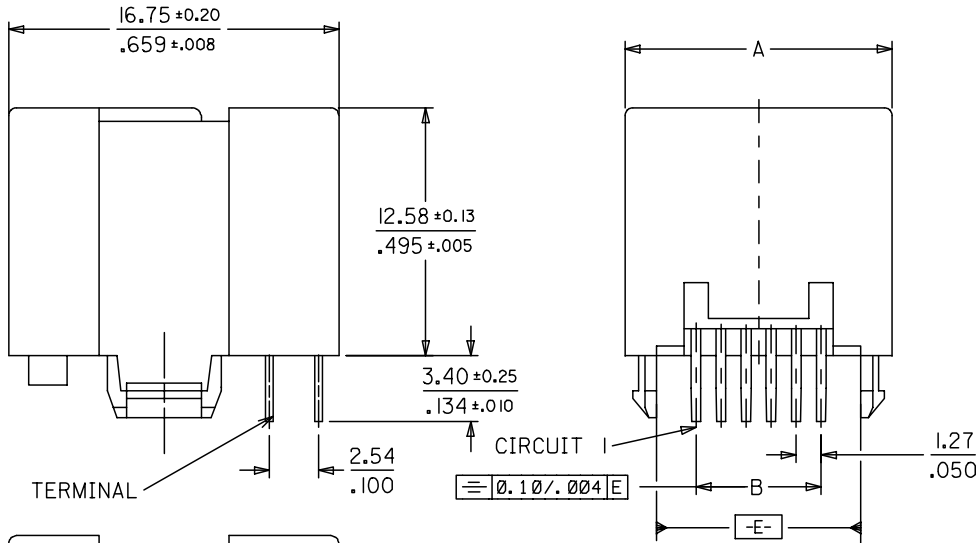
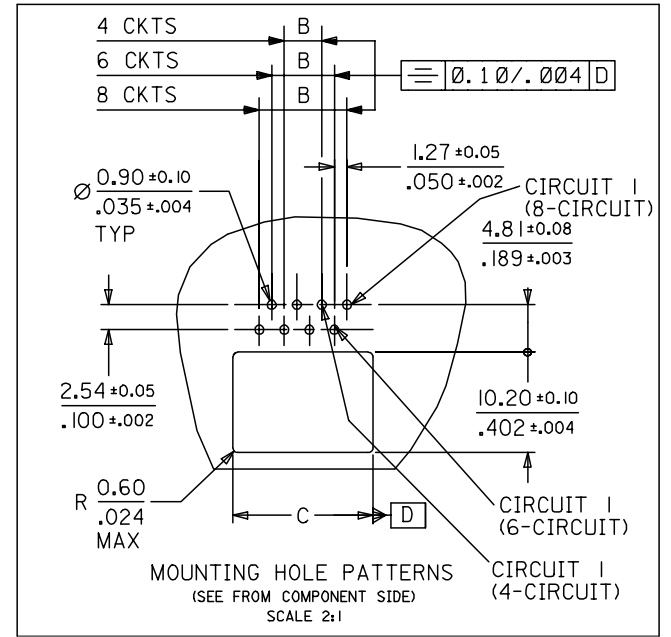


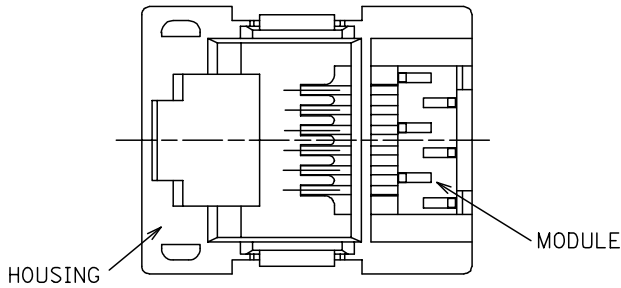
**NOTES :**

- 1- MATERIAL:
  - HOUSING AND MODULE: POLYAMIDE FIBER GLASS FILLED UL 94-V0 COLOR BLACK.
  - TERMINAL: PHOSPHOR BRONZE .

- PLATING:**
- POST PLATE 0.00127-0.00152/.000050-.000060 GOLD IN CONTACT AREA.
  - 0.00190/.000075 MIN PURE TIN IN TAIL AREA BOTH OVER 0.00127/.000050 MIN NICKEL OVERALL.
- 2- JACK FOR MATING WITH FCC 68 PLUGS 90075 MOLEX SERIES.
  - 3- PCB THICKNESS : 1.57 / .062
  - 4- PRODUCT SPECIFICATION PS-95002-003
  - 5- APPLICATION SPECIFICATION AS-95001.
  - 6- PACKAGING SPECIFICATION PK-95002



P/N	HOUSING SIZE	CKTS.	DIM.		
			A ±0.13	B $\begin{matrix} +0.05 \\ -0.10 \\ +.002 \\ -.004 \end{matrix}$	C $\begin{matrix} \pm 0.08 \\ \pm 0.03 \end{matrix}$
95002-2443	POS 4	4 CKTS	$\frac{11.50}{.453}$	$\frac{3.81}{.150}$	$\frac{10.20}{.402}$
95002-2643	POS 6	4 CKTS	$\frac{13.55}{.533}$	$\frac{3.81}{.150}$	$\frac{12.20}{.480}$
95002-2663	POS 6	6 CKTS	$\frac{13.55}{.533}$	$\frac{6.35}{.250}$	$\frac{12.20}{.480}$
95002-2883	POS 8	8 CKTS	$\frac{15.55}{.612}$	$\frac{8.89}{.350}$	$\frac{14.20}{.559}$



ENTER DESCRIPTION EC NO: MG2005-0107 DRAWN: KNOLLER 2004/09/22 CHKD: FCARABET 2004/09/22 APPR: KNOLLER 2004/09/24	QUALITY SYMBOLS ▽=0 ▽=0	GENERAL TOLERANCES (UNLESS SPECIFIED)		DIMENSION STYLE	SCALE	DESIGN UNITS	THIRD ANGLE PROJECTION		
				MM/IN	4:1	METRIC			
				mm	INCH	TITLE			
				4 PLACES ± --- ± --- 3 PLACES ± --- ± .006 2 PLACES ± 0.15 ± .010 1 PLACE ± 0.25 ± --- ANGULAR ± .5 °				BOTTOM ENTRY LOW PROFILE MODULAR JACK (THROUGH HOLE VERSION) MOLEX INCORPORATED	
REV C	DESCRIPTION	DRAFT WHERE APPLICABLE MUST REMAIN WITHIN DIMENSIONS		MATERIAL NO.	DOCUMENT NO.	SHEET NO.			
				SEE CHART	SD-95002-001	1 OF 1			
THIS DRAWING CONTAINS INFORMATION THAT IS PROPRIETARY TO MOLEX INCORPORATED AND SHOULD NOT BE USED WITHOUT WRITTEN PERMISSION									