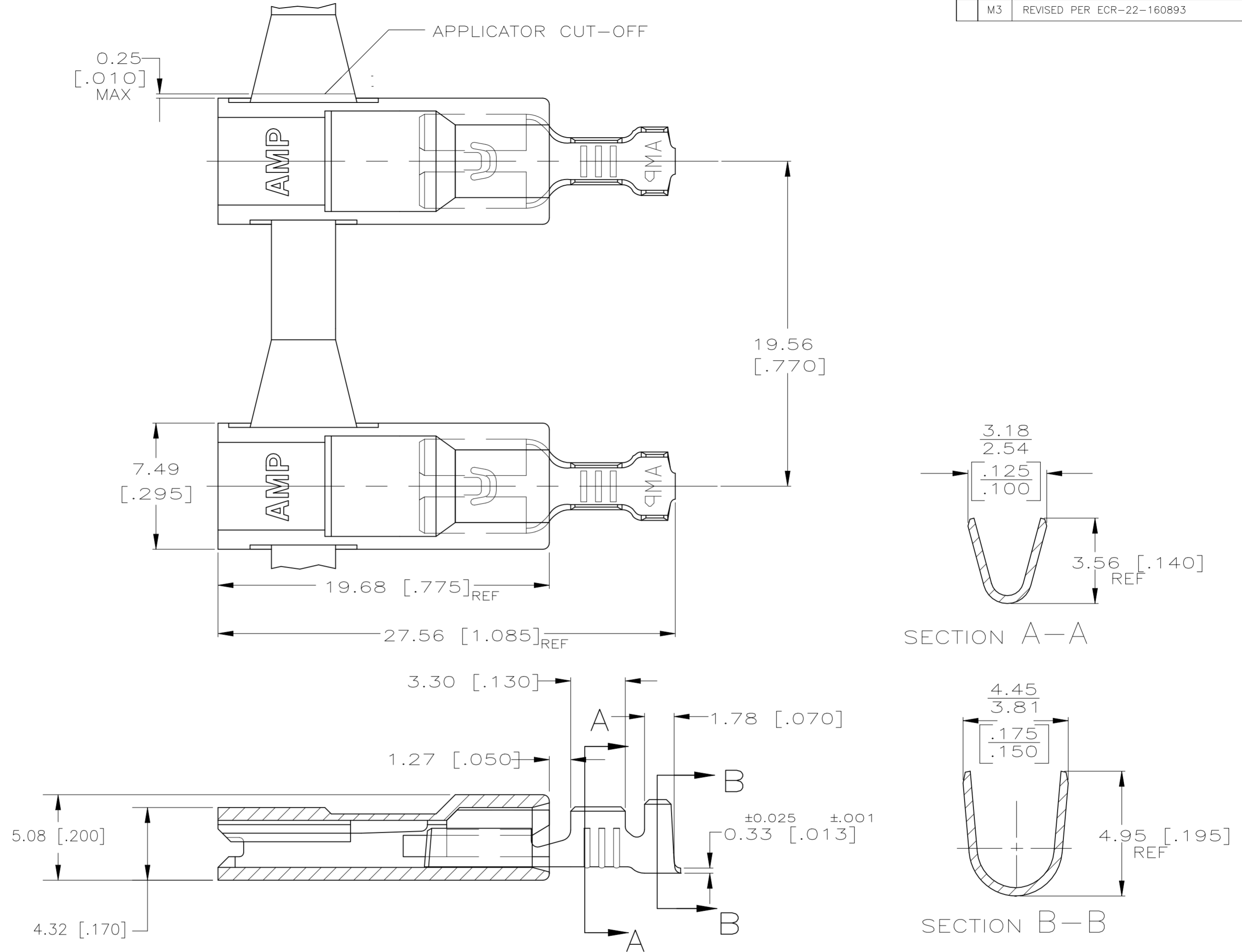


REVISIONS					
P	LTR	DESCRIPTION	DATE	DWN	APVD
M3		REVISED PER ECR-22-160893	14DEC2022	DB	BW



1 FASTON TERMINALS, BASE P/N 63653, ARE USED IN THIS PRODUCT.

2 TIN PLATE PER MIL-T-10727

3 MATERIAL: HOUSING - 6/6 NYLON
TERMINAL - BRASS

4 FINISH: HOUSING - COLOR, NATURAL
TERMINAL - SEE TABLE

OBSOLETE	BULK	TIN 2	2.29-3.30 [.090-.130] DIA	0.5-1.3 mm ² [20-16]	0.508 [.020]	5-520973-2
OBSOLETE	BULK	PLAIN				5-520973-1
	STANDARD	TIN 2				520973-2
	STANDARD	PLAIN				520973-1
	PACKAGING	TERMINAL FINISH	INSULATION RANGE	WIRE SIZE	MATING TAB THK ±0.025 [±.001]	PART NO.

THIS DRAWING IS A CONTROLLED DOCUMENT.		DWN	JR RUTH	3/20/90	 TE Connectivity
DIMENSIONS:		CHK	MS FEHER	3/20/90	
mm [INCHES]		APVD	R KUZO	3/20/90	
TOLERANCES UNLESS OTHERWISE SPECIFIED:		PRODUCT SPEC		NAME	
0 PLC	± -	APPLICATION SPEC		108-1285	ASSEMBLY, RECEPTACLE, ULTRA-POD, 4.8 [187] SERIES
1 PLC	± -	114-2124		SIZE	
2 PLC	± -	WEIGHT		0.000000	CAGE CODE
3 PLC	± 0.25 [.010]	CUSTOMER DRAWING		A2	00779
4 PLC	± -	SCALE		5:1	SHEET
ANGLES	± -	SHEET		1	OF 1
FINISH	4	REV		M3	