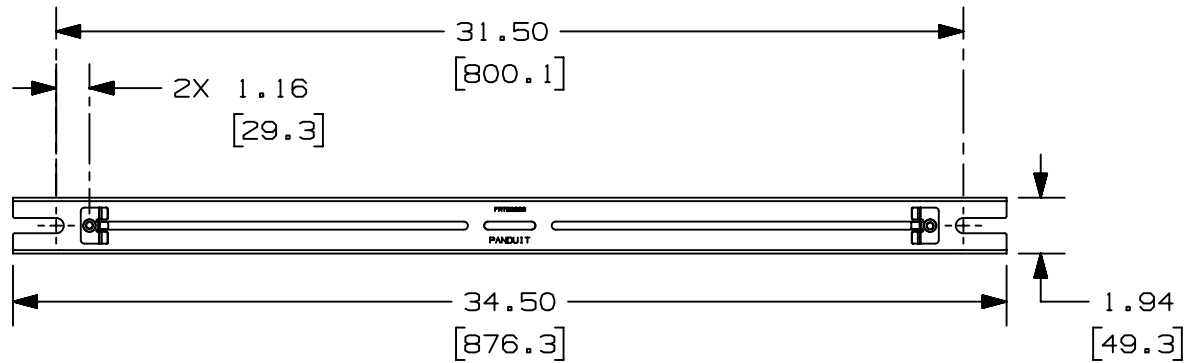
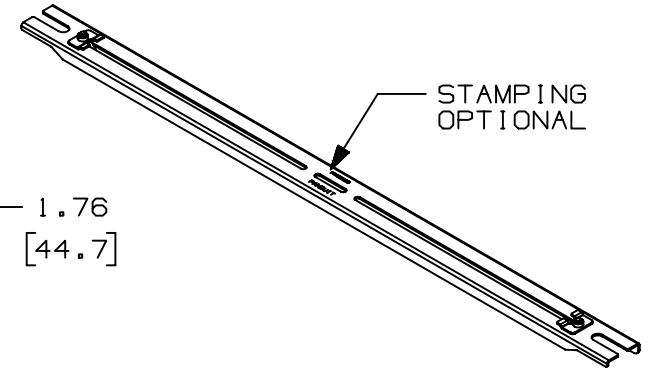


THIS COPY IS PROVIDED ON A RESTRICTED BASIS AND IS NOT TO BE USED IN ANY WAY DETRIMENTAL TO THE INTERESTS OF PANDUIT CORP.

PANDUIT PART NUMBER	WEIGHT
FRTBWG30	2.20 LBS/EACH (997.9 g/EACH)



- NOTES:**
- SEE CURRENT CATALOG FOR ADDITIONAL PART SUFFIXES TO INDICATE COLOR AND/OR PACKAGE QUANTITY.
  - THE FIBERRUNNER TRAPEZE BRACKET FOR WYR-GRID 30" PATHWAY INCLUDES:  
ONE (1) FIBERRUNNER TRAPEZE BRACKET FOR WYR-GRID 30" PATHWAY  
TWO (2) FIBERRUNNER TRAPEZE BRACKET WYR-GRID CLIP ASSEMBLY.
  - DIMENSIONS IN PARENTHESES ARE METRIC.



REV	DATE	BY	CHK	APR	DESCRIPTION	ECN
01B	9-20-19	LEE	FWI	FWI	C. "STAMPING OPTIONAL" LABEL ADDED SEE PREVIOUS REVISION FOR HISTORY	V09002CN/06

<b>TITLE</b> FIBERRUNNER TRAPEZE BRACKET FOR WYR-GRID 30" PATHWAY (FRTBWG30) CUSTOMER DRAWING					
<b>ITEM REVISION NAME</b> 10D165AD/01					
<b>DATASET FILE NAME</b> 10D165AD_DC/01B					
UNLESS OTHERWISE SPECIFIED, DIMENSIONAL TOLERANCES ARE: IN [ mm ]					<b>MATERIAL:</b> STEEL
.X ± .XXX ± .XX ± .01 [ .25 ] ANGLES ±					<b>DRAWING NUMBER:</b> 10D165AD-DC
<b>DRAWN BY</b> JAHA		<b>DATE</b> 05-05-11	<b>CHK</b> EB	<b>SCALE</b> NONE	<b>SIZE</b> A
<b>THIRD ANGLE PROJECTION</b>				SHT 1 OF 1	

D10100DA/16