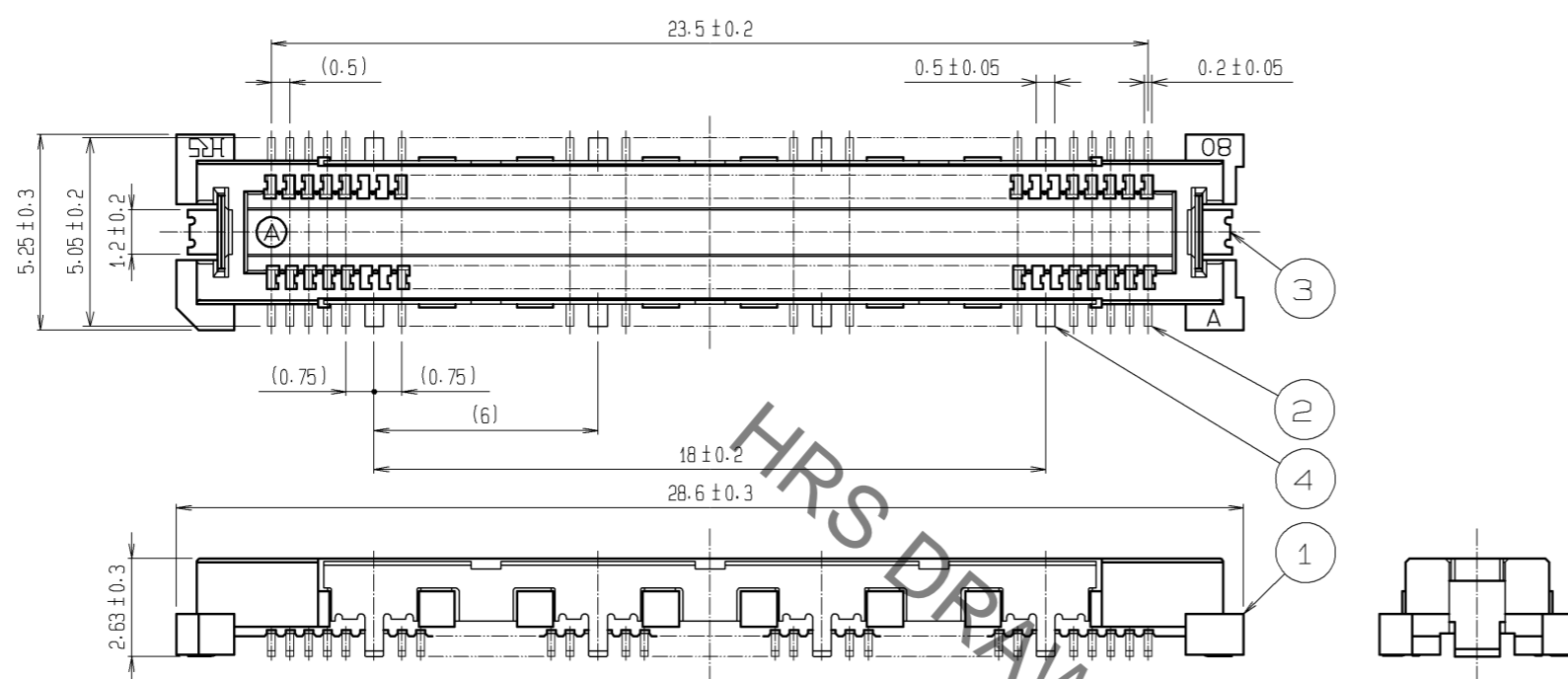
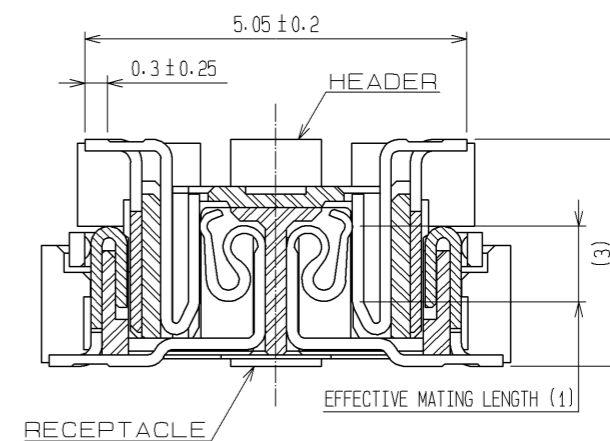


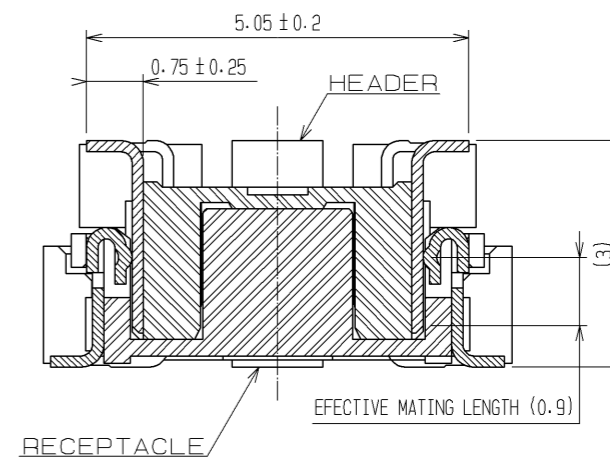
May.1.2023 Copyright 2023 HIROSE ELECTRIC CO., LTD. All Rights Reserved.
In case of consideration for using Automotive equipment / device which demand high reliability, kindly contact our sales window correspondents.



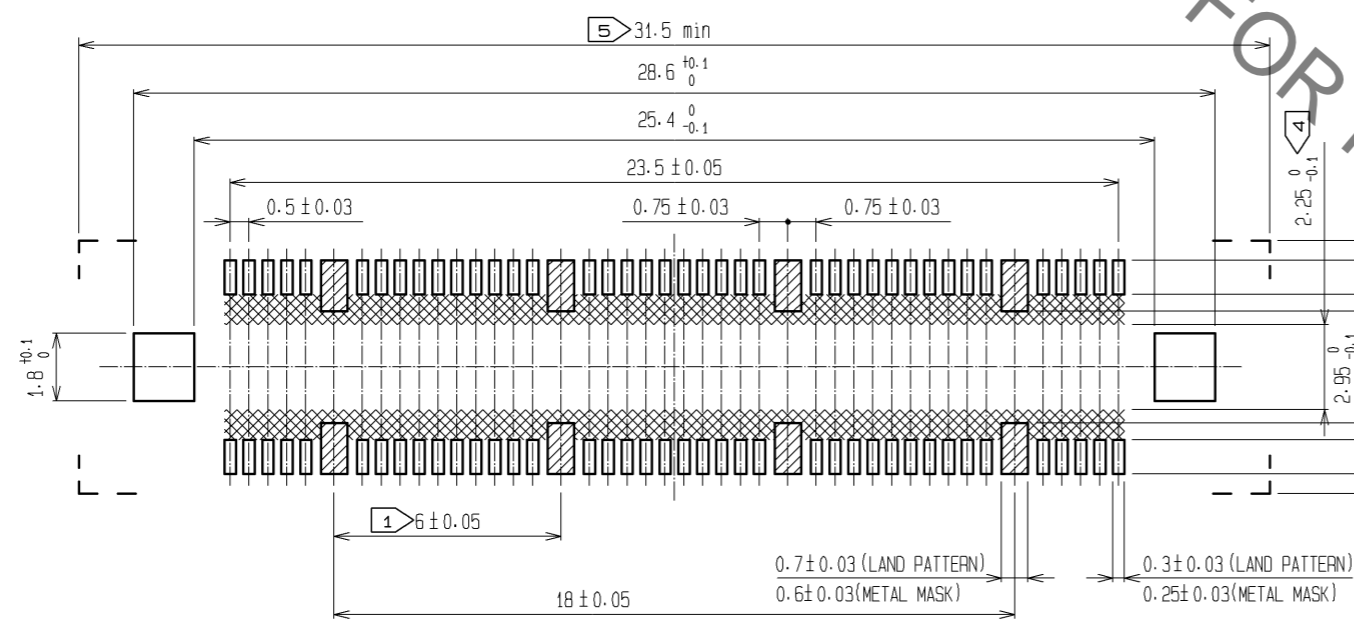
SIGNAL PORTION CROSS SECTION (10:1)



GROUND PORTION CROSS SECTION (10:1)



RECOMMENDED LAND PATTERN DIMENSION OF PCB
(RECOMMENDED METAL MASK THICKNESS:0.15mm)



- NOTES
- ① 8 HATCHED PARTS:GROUND CIRCUIT.
 - ② SMT LEAD-COPLANARITY:0.1 MAX.
 - ③ THIS PRODUCT HAS NO POLARITY TO PATTERN FOR MOUNTING.
 - ④ MAKE SURE WIDTH OF PATTERN IS WITHIN THAT OF LAND .OR LEAD MAY TOUCH PATTERN. (THIS APPLIES TO HATCHED AREA.)
 - ⑤ DO NOT MOUNT OTHER DEVICES ONTO [] AREA ,OR MATING PAIR CANNOT BE MATED.
 - ⑥ THE DIMENSIONS IN PARENTHESES ARE FOR REFERENCE.

| | | | | | |
|--------------------------|-----------------|------------------|--------------------------------|--------------|---------------------------------|
| 3, 4 | PHOSPHOR BRONZE | TIN PLATING | 2 | COPPER ALLOY | CONTACT AREA : GOLD 0.1μm min. |
| 1 | LCP | BEIGE UL94V-0 | | | LEAD AREA : GOLD 0.05μm min. |
| | | | | | UNDER PLATING : NICKEL 1μm min. |
| NO. | MATERIAL | FINISH . REMARKS | NO. | MATERIAL | FINISH . REMARKS |
| UNITS | mm | SCALE | 5 : 1 | COUNT | △ |
| DESCRIPTION OF REVISIONS | | DESIGNED | CHECKED | DATE | |
| APPROVED : HS. OKAWA | | 12.03.12 | DRAWING NO. EDC3-152619-25 | | |
| CHECKED : HT. YAMAGUCHI | | 12.03.12 | PART NO. FX11B-80P/8-SV0.5(71) | | |
| DESIGNED : TS. MIYAKI | | 12.03.12 | CODE NO. CL573-0613-0-71 | | |
| DRAWN : TS. MIYAKI | | 12.03.12 | △ 1/1 | | |