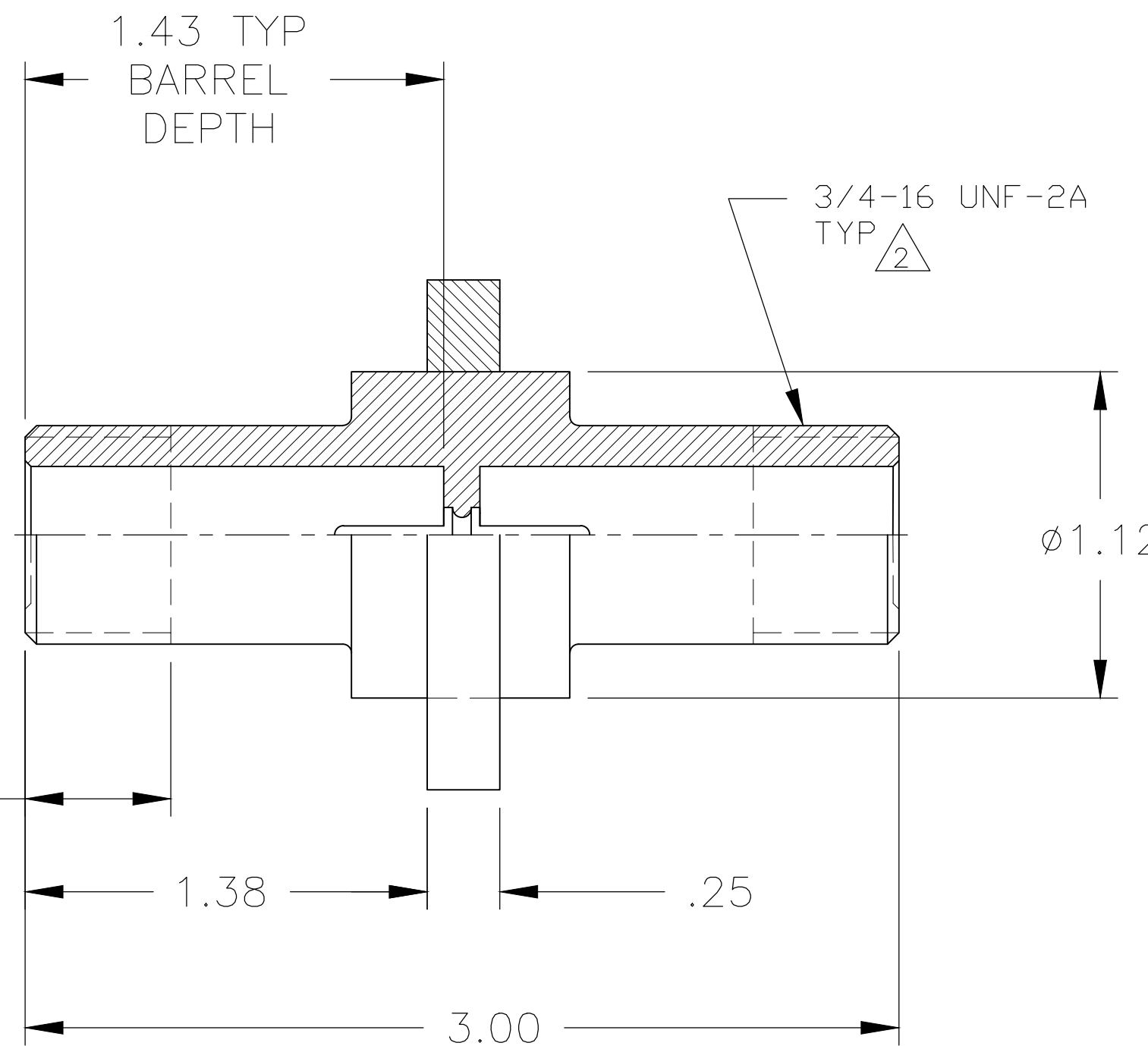
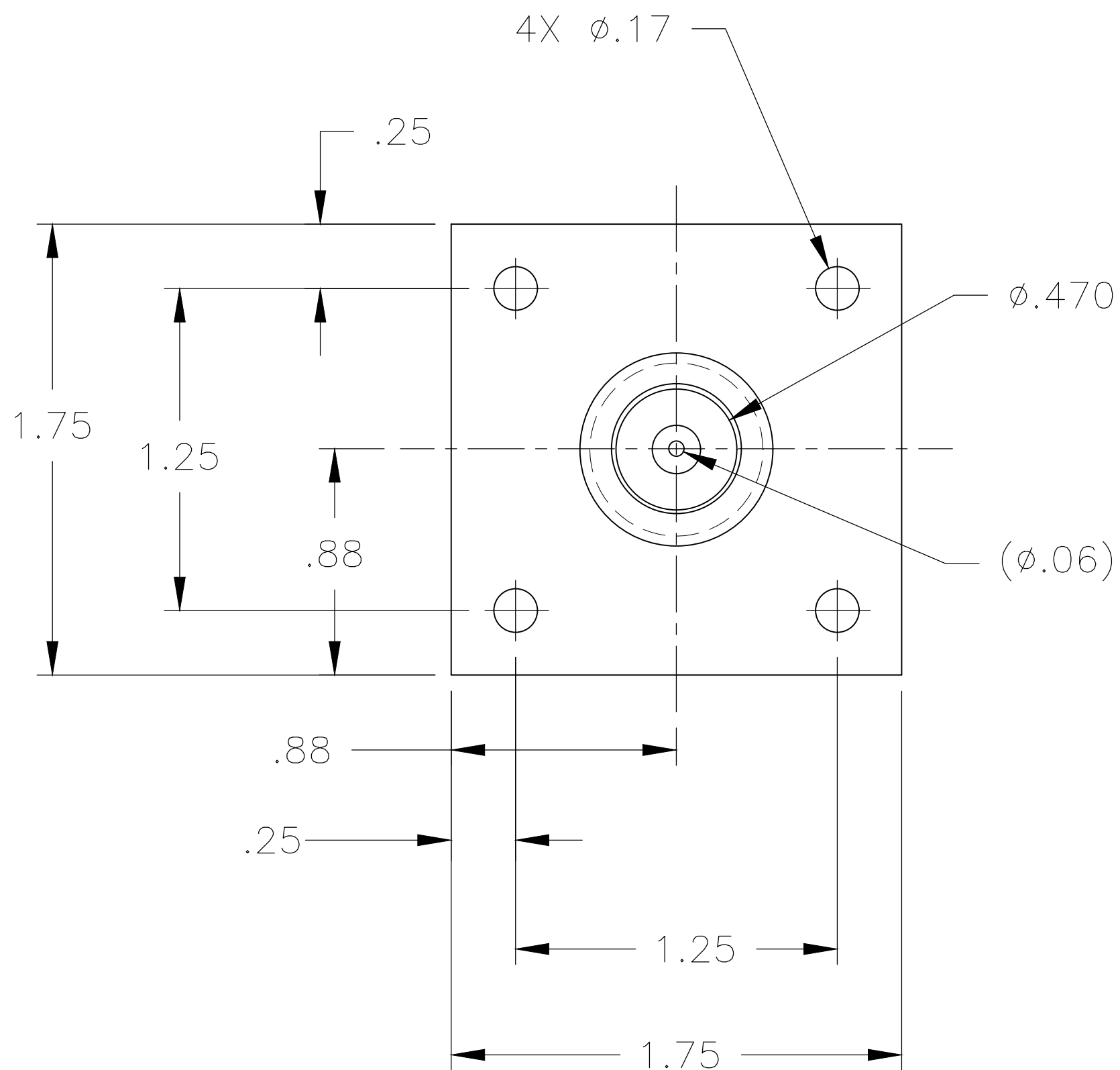


THIS DRAWING IS UNPUBLISHED. RELEASED FOR PUBLICATION
 © COPYRIGHT - TE Connectivity Ltd. ALL RIGHTS RESERVED.

REVISIONS					
P	LTR	DESCRIPTION	DATE	DWN	APVD
E		REV PER ECO 19-002303	4-15-19	CT	DM



- RECEPTACLE TO MATE WITH AMP LGH-2 LEAD ASSEMBLY. AVAIIABLE SEPARATELY. PER FEDERAL STANDARD H-28 3 WIRE METHOD. DIMENSION OVER WIRES TO BE: .7474-.7654.

OBSOLETE	PIN - GOLD PLATED	850735-2
	PIN - TIN PLATED	850735-1
	DESCRIPTION	PART NO.

THIS DRAWING IS A CONTROLLED DOCUMENT.		DWN C.C.THOMAS 4-15-19	TE Connectivity Ltd.	
DIMENSIONS: INCHES		CHK D.MILLER 4-15-19		
TOLERANCES UNLESS OTHERWISE SPECIFIED:		APVD D.MILLER 4-15-19	NAME RECEPTACLE, FEED-THRU, LGH-2	
0 PLC \pm - 1 PLC \pm - 2 PLC \pm .03 3 PLC \pm .015 4 PLC \pm - ANGLES \pm -		PRODUCT SPEC -	APPLICATION SPEC -	
MATERIAL GLASS EPOXY	FINISH -	WEIGHT 0	SIZE A2	CAGE CODE 00779
CUSTOMER DRAWING		SCALE 4:1	DRAWING NO. C-850735	RESTRICTED TO -
			SHEET 1 OF 1	REV E